

Performance Trainer Air Bike

PT-AB-01

Parts Manual

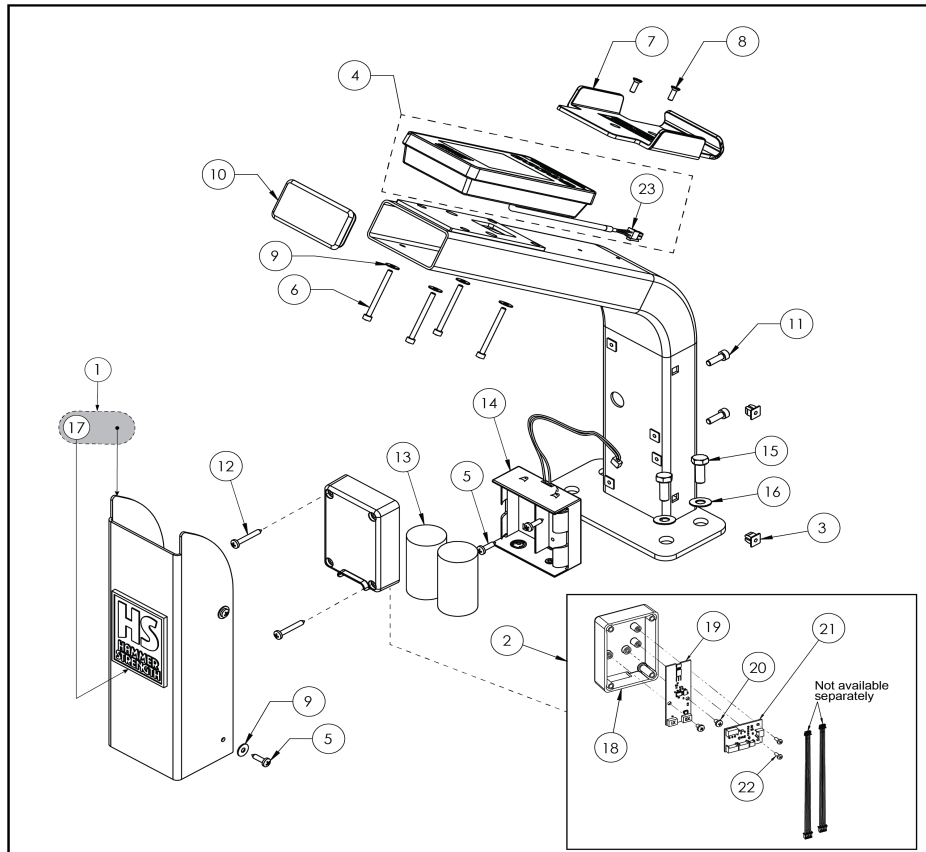
3/7/2023 10:56:22 AM



Table of Contents

[PT-AB Console Assembly.....](#)3
[PT-AB Drivetrain Assembly.....](#)5
[PT-AB Fan Assembly.....](#)6
[PT-AB Front and Rear Stabilizers.....](#)7
[PT-AB Hardware and Tools.....](#)8
[PT-AB Main Frame Assembly.....](#)9
[PT-AB Moving Arms Assembly.....](#)10
[PT-AB Seat Assembly.....](#)11
[PT-AB Shrouds and Pedals.....](#)12

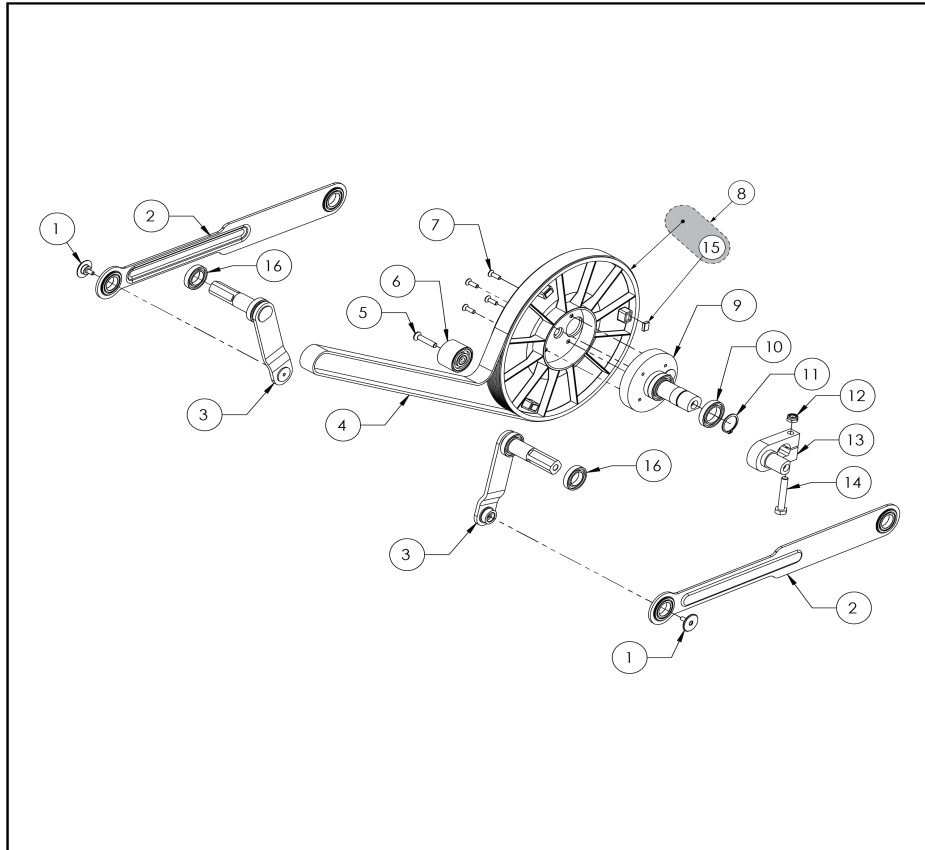
PT-AB Console Assembly



Ref #	Part Number	Qty	Description
1	1014770-0000	1	ASSY: BATTERY COVER; SHEETMETAL
2	1017914-0000	1	ASSY: PCB, PT-AB
3	1015619-0001	8	GROMMET: SCREW,
4	1015623-0000	1	ASSY: CONSOLE, PT-AB
5	1017166-0001	6	SCREW: ST4.2 X 16
6	1017912-0001	4	SCREW: M4 X 0.7 X 45, HKA, SOC
7	1015622-0001	1	DEVICE HOLDER: PT-AB
8	1017160-0001	2	SCREW: M4 X 0.7 X 12, HKA, FLT
9	1017153-0001	8	WASHER: M4 X 12 X 0.8, FL
10	1015616-0001	1	ENDCAP: CONSOLE UPRIGHT
11	1017926-0001	2	SCREW: M5 X 0.8 X 16, HXS, SOC
12	1017913-0001	2	
13	170-01-00024-01	1	BATTERY, D-CELL 2-PACK
14	170-01-00018-01	1	BATTERY PACK INCL. MOUNTING BOLTS FOR IC5
15	1017159-0001	4	SCREW: M8 X 1.25 X 20, HXS, HEX
16	1017848-0001	4	WASHER: M8 X 19 X 1, FL
17	1002284-0001	1	BADGE, HS, 2-3/8 X 3
18	1015632-0001	1	COVER; PCB
19	9096801	1	PCB SENSOR BOARD
20	1017915-0001	2	SCREW: M4 X 0.6 X 6, PHL, BUT
21	9479801	1	JUNCTION BOARD; COATED
22	1017920-0001	2	SCREW: M3 X 2.5 X 8, PHL, BUT

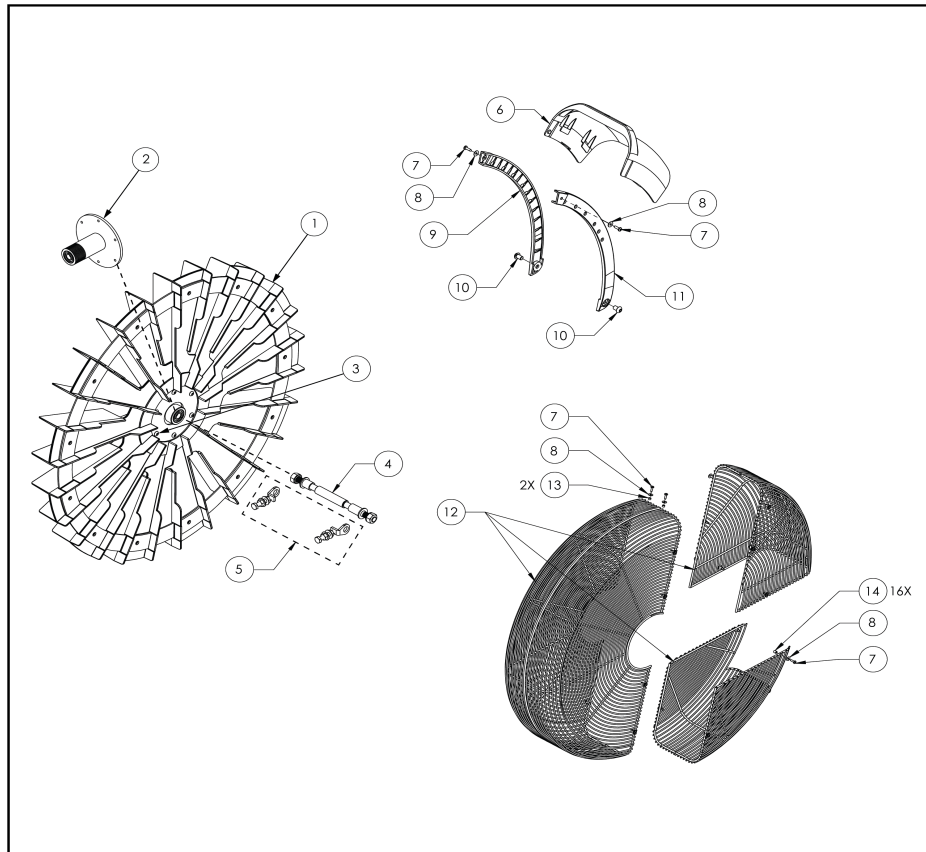
Ref #	Part Number	Qty	Description
23	1017918-0001	1	CABLE: CONSOLE, PT-AB

PT-AB Drivetrain Assembly



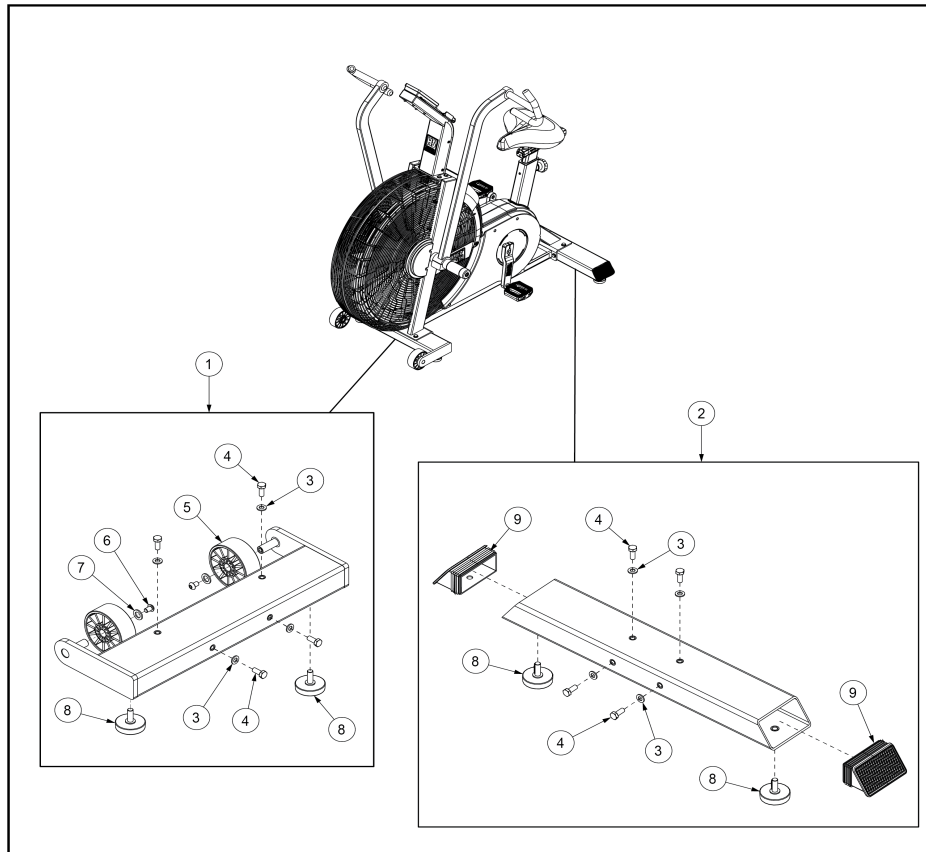
Ref #	Part Number	Qty	Description
1	1015653-0001	2	BOLT: LINK, PT-AB
2	1015583-0001	2	ASSY: LINK ARM
3	1017928-0000	2	ASSY: HANDLEBAR SHAFT
4	1017899-0001	1	BELT: POLY V, PT-AB
5	1017888-0001	1	SCREW: M8 X 1.25 X 45, HKA, FLT
6	1015606-0001	1	ASSY: IDLER PULLEY
7	1017910-0001	4	SCREW: M6 X 1.0 X 20, HKA, FLT
8	1015602-0001	1	ASSY: PULLEY
9	1017909-0000	1	ASSY: PULLEY, PT-AB
10	1015296-0001	1	BEARING: 61906 - 18, SI, NC, 18_68
11	1017889-0001	1	RING: RETAINER; PT-AB
12	1017162-0001	1	NUT: M10 X 1.5, HEX
13	1015580-0001	1	WLDMT: INNER CRANK
14	1017157-0001	1	SCREW: M10 X 1.5 X 60, HKA, SOC
15	900-11-00003-01	1	BRICK MAGNET 15 X 10 X 5MM
16	1015295-0001	2	BEARING: 61905 - 16,SI,NC,16_68

PT-AB Fan Assembly



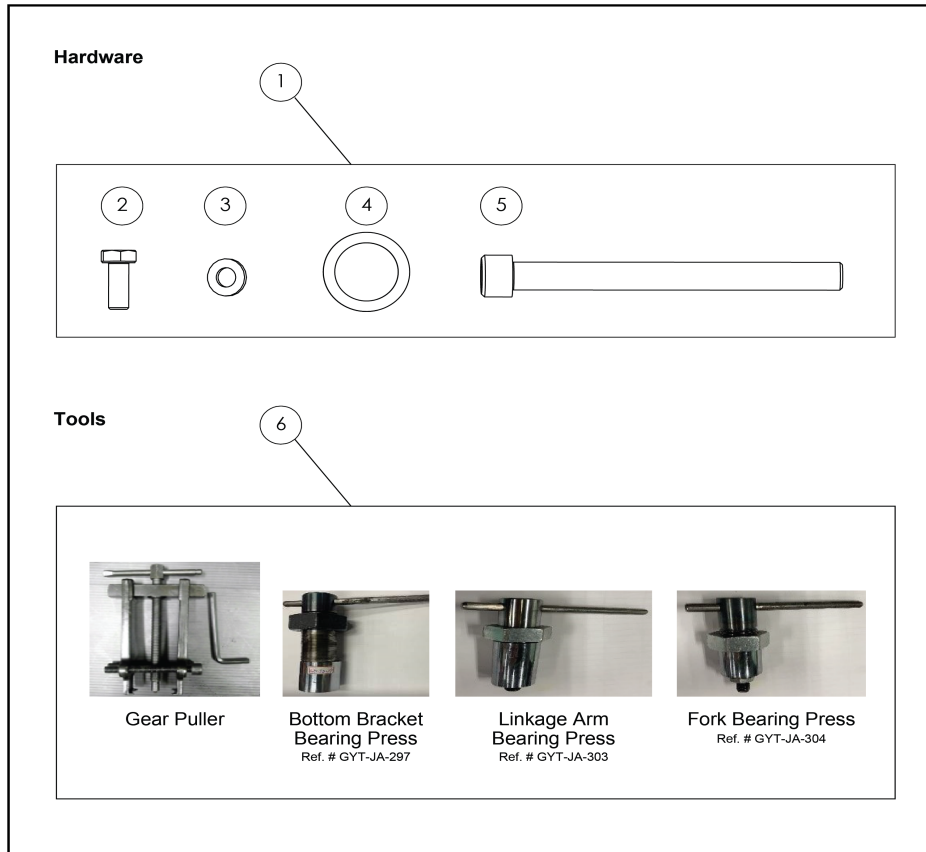
Ref #	Part Number	Qty	Description
1	1015432-0001	1	ASSY: FAN, PT-AB
2	1015603-0001	1	ASSY: FAN HUB; HS AIRBIKE
3	1017903-0001	6	SCREW: M6 X 1.0 X 10, HKA, BUT
4	1017907-0000	1	ASSY: FAN AXLE
5	1017908-0000	1	ASSY: FAN ADJUST
6	1015591-0001	1	AIR DEFLECTOR: AIRBIKE
7	1017166-0001	20	SCREW: ST4.2 X 16
8	1017153-0001	20	WASHER: M4 X 12 X 0.8, FL
9	1016043-0001	1	RAIL: AIR DEFLECTOR, RIGHT
10	1017896-0001	2	SCREW: M8 X 1.25 X 12, HKA, BUT
11	1015592-0001	1	RAIL: AIR DEFLECTOR, LEFT
12	1015590-0000	1	ASSY: FAN CAGE, PT-AB
13	1017901-0001	2	SPACER: FAN CAGE, SHORT
14	1017900-0001	16	SPACER: FAN CAGE, LONG

PT-AB Front and Rear Stabilizers



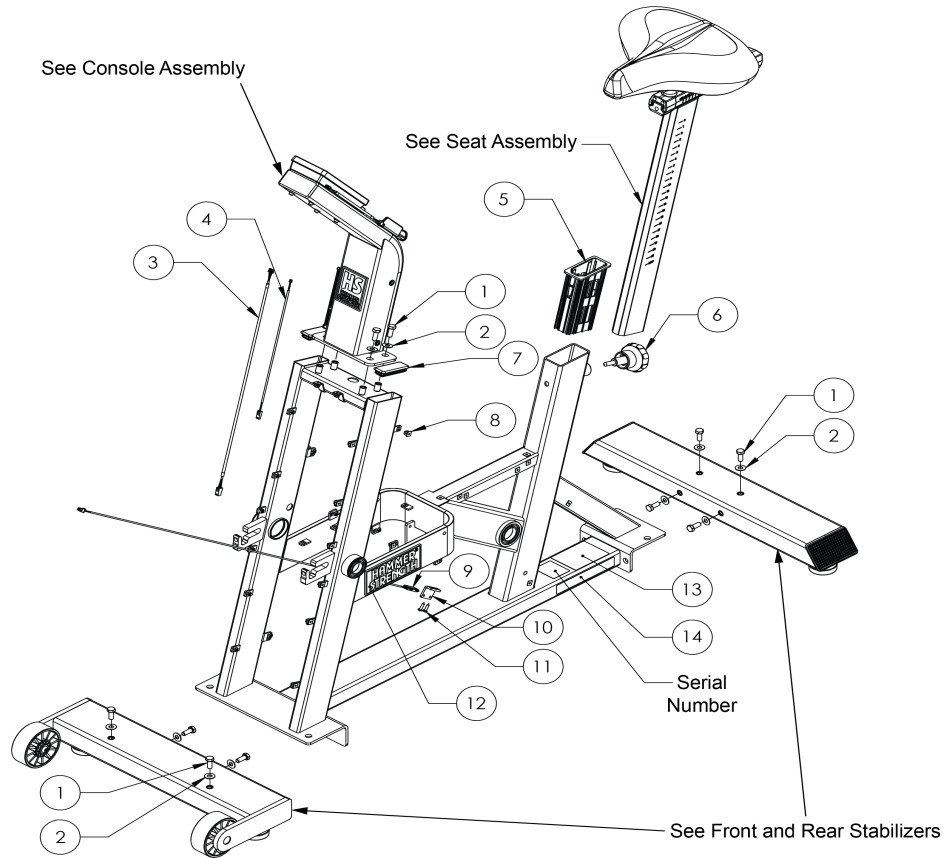
Ref #	Part Number	Qty	Description
1	1015437-0000	1	ASSY: HS AIRBIKE; FRONT STABILIZER
2	1015447-0000	1	ASSY: HS AIRBIKE, REAR STABILIZER
3	1017848-0001	8	WASHER: M8 X 19 X 1, FL
4	1017159-0001	8	SCREW: M8 X 1.25 X 20, HXS, HEX
5	1015444-0001	2	WHEEL: HS AIRBIKE
6	1014768-0001	2	SCREW: M8 X 1.25
7	1015446-0001	2	WASHER: 20 OD X 12.2 ID X 2
8	190-01-00027-01	2	LEVELING FEET RUBBER 75 SHORE (2 PCS) IC2 & IC3 & IC5 & IC7
9	1015450-0001	2	ENDCAP: REAR STABILIZER

PT-AB Hardware and Tools



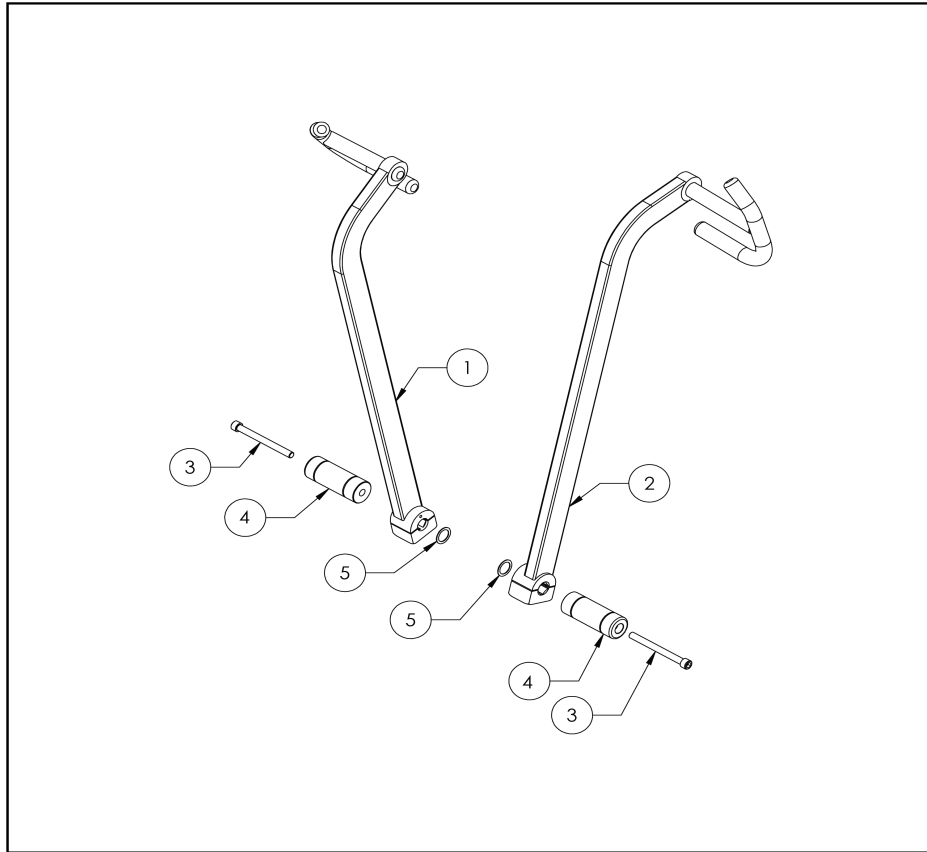
Ref #	Part Number	Qty	Description
1	1017847-0001	1	PT-AB HARDWARE BAG
2	1017159-0001	12	SCREW: M8 X 1.25 X 20, HXS, HEX
3	1017848-0001	12	WASHER: M8 X 19 X 1, FL
4	1017865-0001	2	WASHER: 25 X 34 X 1, SPC
5	1017154-0001	2	SCREW: M12 X 1.27 X 130, HKA, SOC
6	1017930-0001	1	KIT: AIRBIKE BEARING SERVICE TOOL KIT

PT-AB Main Frame Assembly



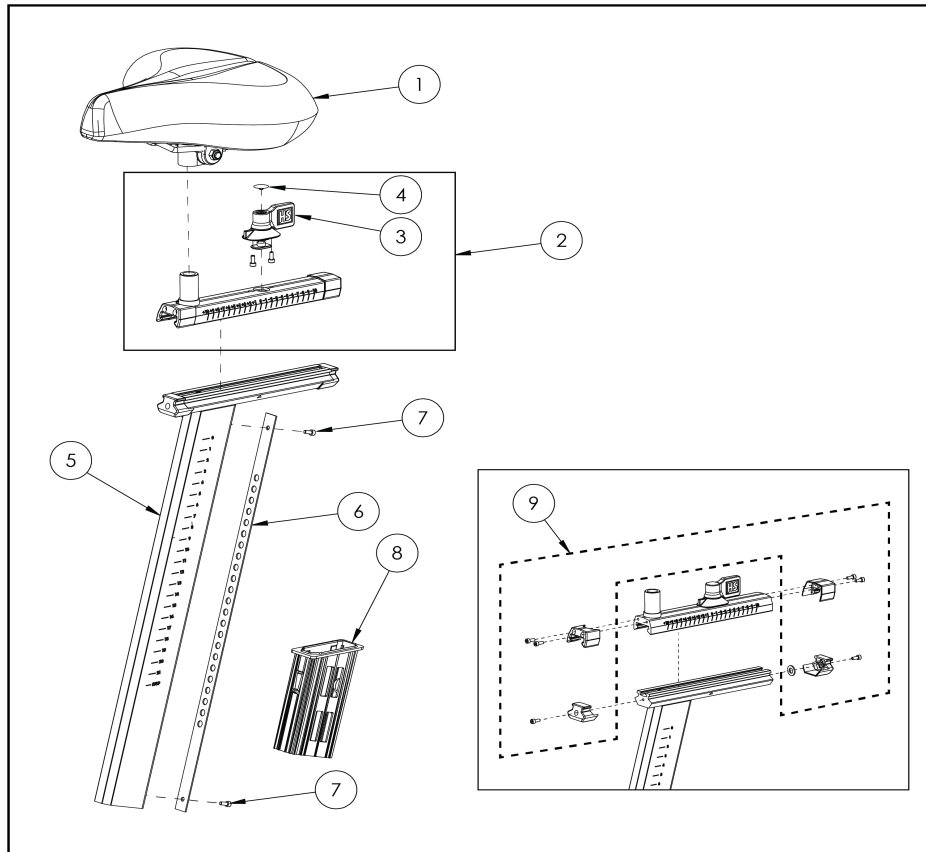
Ref #	Part Number	Qty	Description
1	1017159-0001	12	SCREW: M8 X 1.25 X 20, HXS, HEX
2	1017848-0001	8	WASHER: M8 X 19 X 1, FL
3	1017917-0001	1	CABLE: PCB TO CONSOLE, PT-AB
4	1017916-0001	1	CABLE: REED SWITCH TO PCB
5	100-03-00094-01	1	INSERT SLEEVE FOR SEATPOST TUBE
6	1015656-0000	1	ASSY: POP PIN ADJUST, HS AIRBIKE
7	1015617-0001	2	ENDCAP: FORK TUBE
8	1015619-0001	38	GROMMET: SCREW,
9	1017911-0000	1	ASSY: REED SWITCH, PT-AB
10	1017906-0001	1	BRACKET: REED SWITCH
11	1017166-0001	2	SCREW: ST4.2 X 16
12	M051-00289-A000	2	NAMEPLATE; HAMMER PLASTIC
13	1015662-0001	1	DECAL: WARNING LABEL, SIDELINE
14	1018279-0001	1	LABEL: COMPLIANCE, SIDELINE

PT-AB Moving Arms Assembly



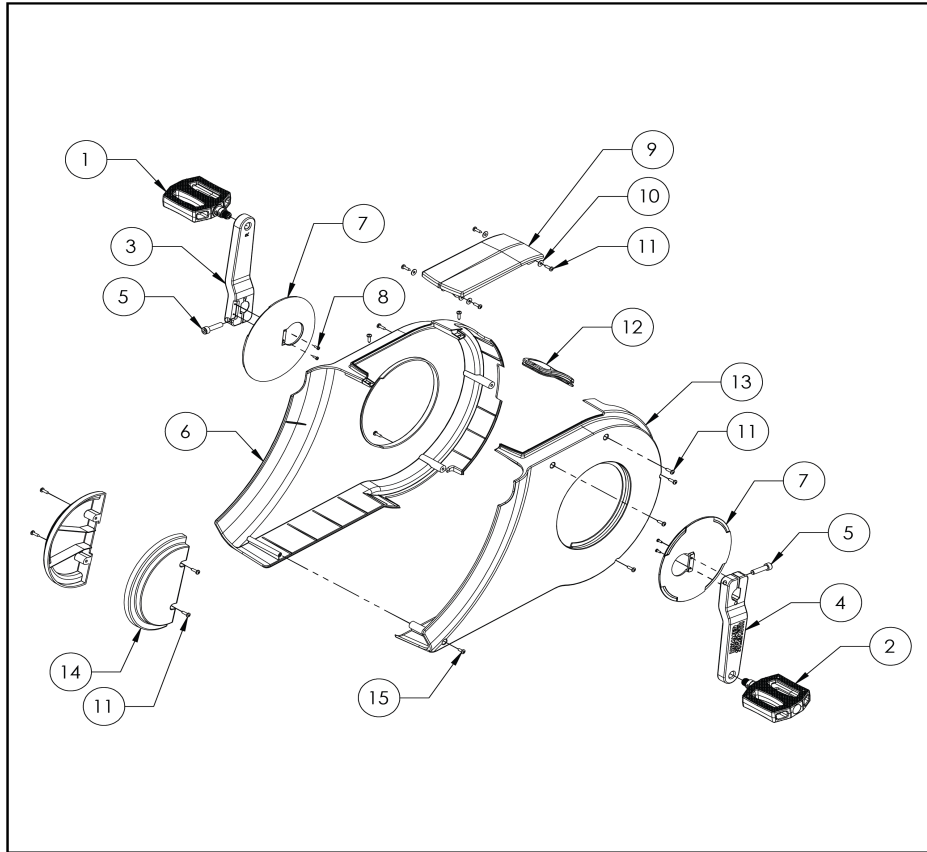
Ref #	Part Number	Qty	Description
1	1015489-0000	1	ASSY: HANDLEBAR; RIGHT
2	1015488-0000	1	ASSY: HANDLEBAR; LEFT
3	1017154-0001	2	SCREW: M12 X 1.27 X 130, HKA, SOC
4	1015575-0001	2	FOOTPEG: HS AIRBIKE
5	1017865-0001	2	WASHER: 25 X 34 X 1, SPC

PT-AB Seat Assembly



Ref #	Part Number	Qty	Description
1	1016858-0000	1	ASSY: SEAT, AIRBIKE
2	1016863-0001	1	ASSY: SEATPOST, UPPER, NARROW
3	1016862-0001	1	ASSY: ADJUST, SEATPOST, HANDLE, LOCK, THUMB
4	190-01-00046-01	1	THUMB LOCK LEVER CAP HORIZONTAL ADJUST (10 PCS) IC4/IC5/IC6/IC7
5	1016857-0000	1	ASSY: STEM, SEATPOST, VERTICAL, NARROW
6	120-01-00025-01	1	PROTECTION INSERT KIT VERTICAL SEATPOST STEM IC4/IC5/IC6
7	1017929-0001	2	SCREW: M5 X 0.8 X 5, HKA, SOC
8	100-03-00094-01	1	INSERT SLEEVE FOR SEATPOST TUBE
9	190-01-00036-02	1	END CAP SET NARROW HORIZONTAL SEATPOST SLIDER FOR IC4 & IC5 & IC6 & IC7 & IC8

PT-AB Shrouds and Pedals



Ref #	Part Number	Qty	Description
1	1015429-0000	1	PEDAL: RIGHT
2	1014786-0000	1	PEDAL: LEFT
3	1014781-0001	1	PEDAL CRANK: RIGHT
4	1014780-0001	1	PEDAL CRANK: LEFT
5	1017156-0001	2	SCREW: CAP, HEAD, SOCKET, HEX, BLK, M8 X P1.25 X 35
6	1015594-0001	1	SHROUD: MAIN RIGHT
7	1014769-0001	2	COVER: PEDAL CRANK
8	1017920-0001	4	SCREW: M3 X 2.5 X 8, PHL, BUT
9	1015618-0001	1	SHROUD: MAIN TOP
10	1017153-0001	4	WASHER: M4 X 12 X 0.8, FL
11	1017166-0001	17	SCREW: ST4.2 X 16
12	1015621-0001	1	GASKET: SEAT TUBE
13	1015593-0001	1	SHROUD: MAIN LEFT
14	1015610-0001	2	COVER: FAN AXLE
15	1017927-0001	1	SCREW: SELF-TAPPING, BLK, D4 X 16L

