

# GX Rower

GER-ALLX-101

## Parts Manual

10/3/2023 6:25:19 AM

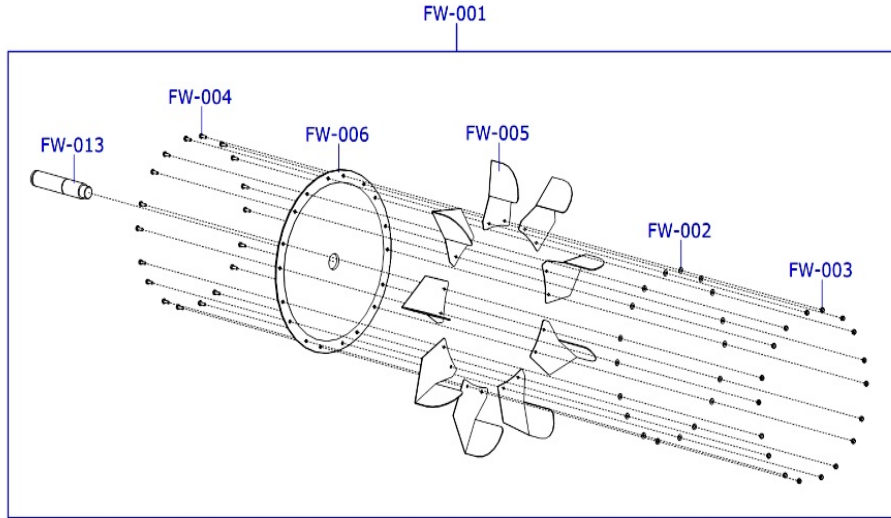


**Table of Contents**

---

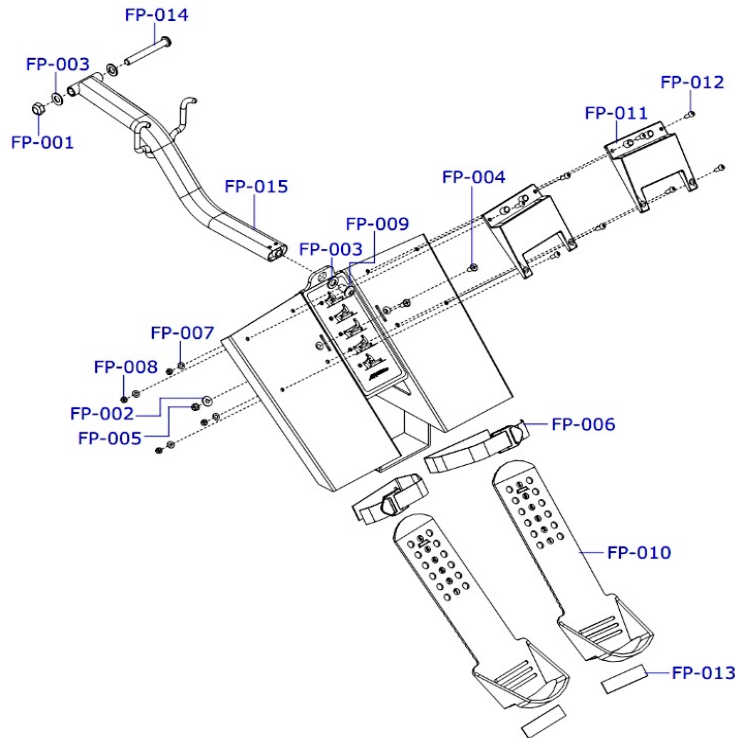
[Flywheel Assembly.....](#)3  
[Footplate Assembly.....](#)4  
[Handle Assembly.....](#)5  
[Lower Main Frame & Seat Rail Assembly.....](#)6  
[Miscellaneous.....](#)7  
[Seat Assembly.....](#)8  
[Tank Assembly.....](#)9  
[Tank Back.....](#)10  
[Tank Bearing and Seals.....](#)11  
[Tank Cover Assembly.....](#)12  
[Upper Main Frame Assembly.....](#)13

# Flywheel Assembly



Ref #	Part Number	Qty	Description
FW-001	0K106-0A061-0000	1	FLYWHEEL: VX-PRO2, ASSEMBLY, A061
FW-002	0K106-10033-0000	18	WASHER: 10X4.2X1 SUS, 10033
FW-003	0K106-10034-0000	18	NUT: M4 SUS, 10034
FW-004	0K106-10035-0000	18	BOLT: M4 SUS, HEX HEAD, 10035
FW-005	0K106-10047-0000	9	BLADE: IMPELLER, 10047
FW-006	0K106-70303-0000	1	FLYWHEEL: 70303
FW-013	0K106-73313-0000	1	SHAFT: FLYWHEEL, 73313

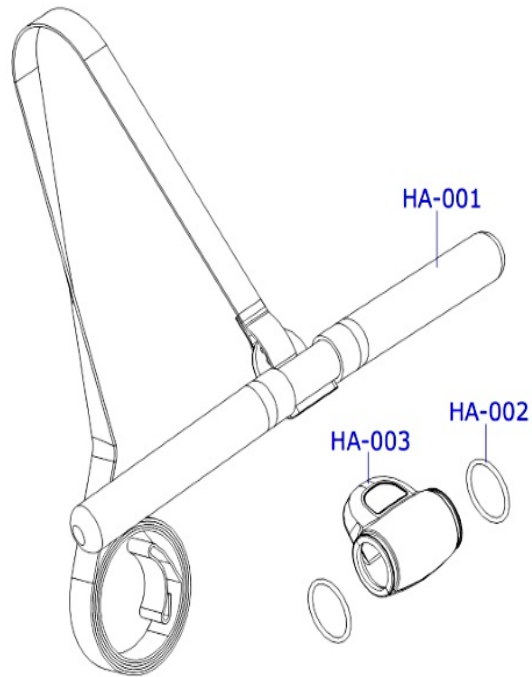
# Footplate Assembly



Ref #	Part Number	Qty	Description
FP-001	0K106-65910-0000	1	NUT: M10, NYLOCK, 65910
FP-002	0K106-10100-0000	2	WASHER: M6X16X1, 10100
FP-003	0K106-65949-0000	3	WASHER: M10X21X2, 65949
FP-004	0K106-11173-0000	2	BOLT: M6X15-B, COUNTER SUNK, 11173
FP-005	0K106-65935-0000	2	NUT: M6, NYLOCK, 65935
FP-006	0K106-13176-0000	2	STRAP/BUCKLE: FOOT, 13176
FP-007	0K106-14081-0000	8	WASHER: M5X11X1, 14081
FP-008	0K106-30608-0000	8	NUT: M5 - B, NYLOCK, 30608
FP-009	0K106-21150-0000	1	BOLT: M10X15, DOME HEAD, 21150
FP-010	1011284-0001	2	SLIDER: FOOTPLATE, 62163
FP-011	0K106-62064-0000	2	BASE: FOOTPLATE SLIDER, 62064
FP-012	0K106-65693-0000	8	BOLT: M5X15, DOME HEAD, 65693
FP-013	1011375-0001	2	VELCRO: FOOTPLATE SLIDER, 66097
FP-014	0K106-83089-0000	1	BOLT: M10X80, DOME HEAD, 83089
FP-015	0K106-83354-0000	1	S BEND: CHARCOAL, 83354

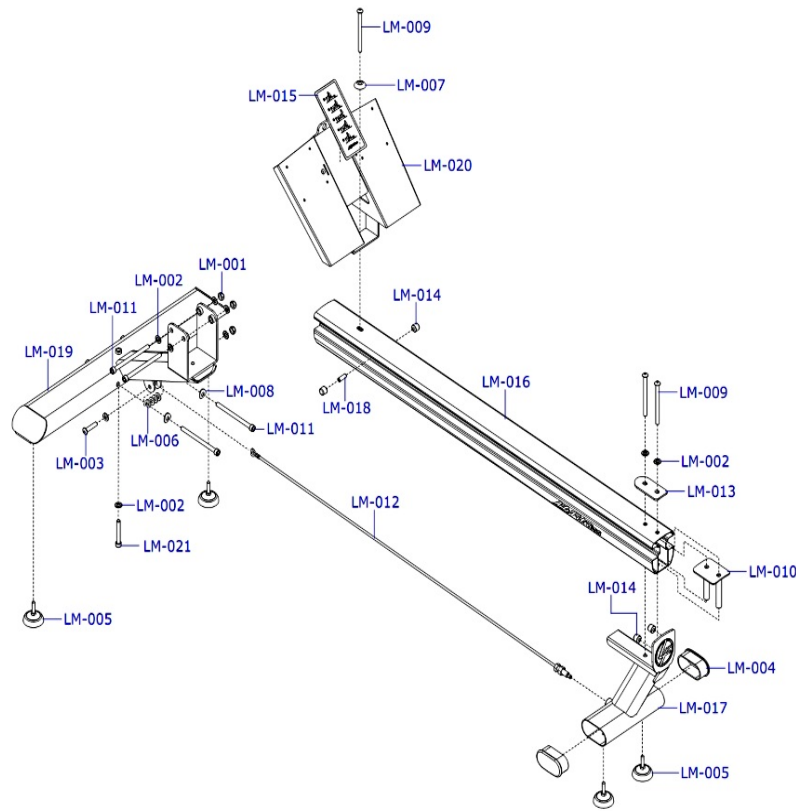
## Handle Assembly

---



Ref #	Part Number	Qty	Description
HA-001	0K106-90506-0000	1	COVER: RUBBER, HANDLE, 90506
HA-002	0K106-75016-0000	2	RING: O, VX PRO 2, 75016
HA-003	0K106-75017-0000	1	75017, COVER, MIDDLE HANDLE
HA-004	0K106-61501-0000	1	HANDLE/GRIPS/BELT: 61501

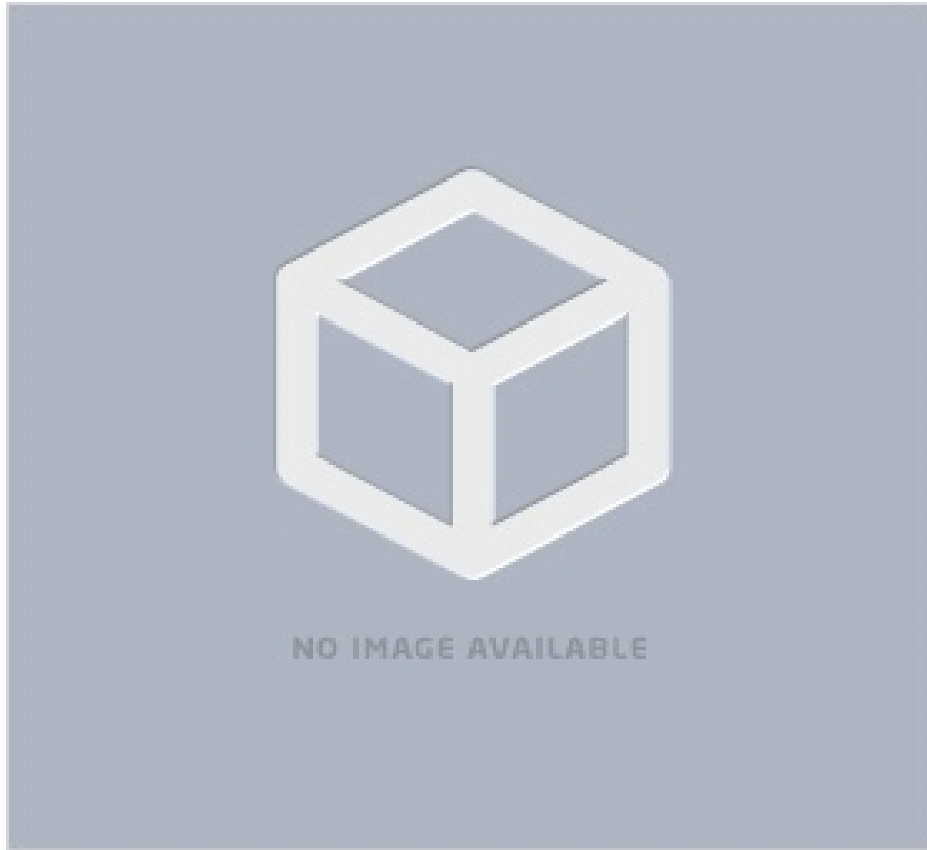
# Lower Main Frame & Seat Rail Assembly



Ref #	Part Number	Qty	Description
LM-001	0K106-65910-0000	3	NUT: M10, NYLOCK, 65910
LM-002	0K106-65949-0000	7	WASHER: M10X21X2, 65949
LM-003	0K106-13002-0000	1	BOLT: M10X40, DOME HEAD, 13002
LM-004	0K106-12029-0000	2	END CAP: 50X100, REAR LEG, 12029
LM-005	0K106-20007-0000	4	LEVELER: M8X30, FOOT, HARDENED RUBBER, 20007
LM-006	0K106-23182-0000	4	WASHER: M10X21X3, PLASTIC, 23182
LM-007	0K106-60809-0000	1	CAP: 10MM, DOME, PLASTIC, 60809
LM-008	0K106-62291-0000	2	WASHER: M10, CURVED, 62291
LM-009	0K106-62292-0000	3	BOLT: NC M10X120, DOME HEAD, 62292
LM-010	0K106-61380-0000	1	BRACKET: SUPPORT, INTERNAL, SEAT RAIL, 61380
LM-011	0K106-65951-0000	4	BOLT: M10X140, HEX HEAD, 65951
LM-012	0K106-75009-0000	1	CABLE: TENSION, 75009
LM-013	0K106-75026-0000	1	BRACKET: 50.5X105X4-B, RAIL, 75026
LM-014	0K106-74038-0000	4	BUMPER: RUBBER, 74038
LM-015	0K106-75104-0000	1	DECAL: HOW TO ROW GX, 75104
LM-016	0K106-75300-0000	1	RAIL: SEAT, 75300 as A399
LM-017	0K106-75327-0000	1	REAR LEG: REAR 75327
LM-018	0K106-74338-0000	1	BUSHING: INSERT, 74338
LM-019	0K106-76001-0000	1	DECAL: LOWER FRAME WITH CAUTION, CHARCOAL, 76001
LM-020	0K106-76018-0000	1	FOOTPLATE: CHARCOAL, 76018
LM-021	0K106-83087-0000	1	BOLT: M10X65, HEX HEAD, 83087

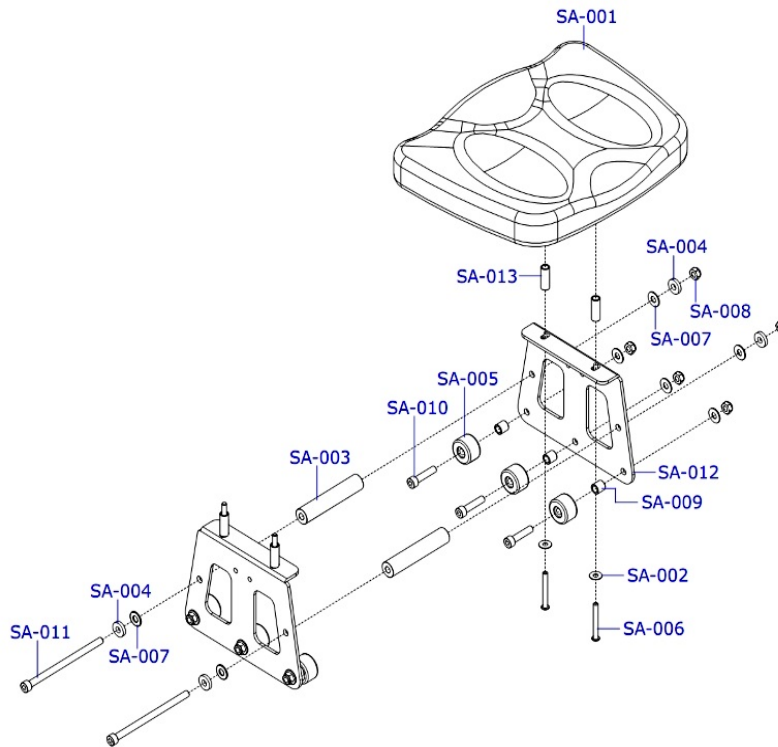
**Miscellaneous**

---



Ref #	Part Number	Qty	Description
	0K106-62002-0000	1	62002 SIPHON PUMP
-	0K106-10117-0000	1	WIRING: COMPUTER, 1200mm
	0K106-10131-0000	1	10131 WATER TREATMENT TABLETS (1 strip=10 tabs)
	0K106-61502-0000	1	LABEL: QR CODE
-	0K106-13117-0000	1	WIRING: HEART RATE, 1050mm

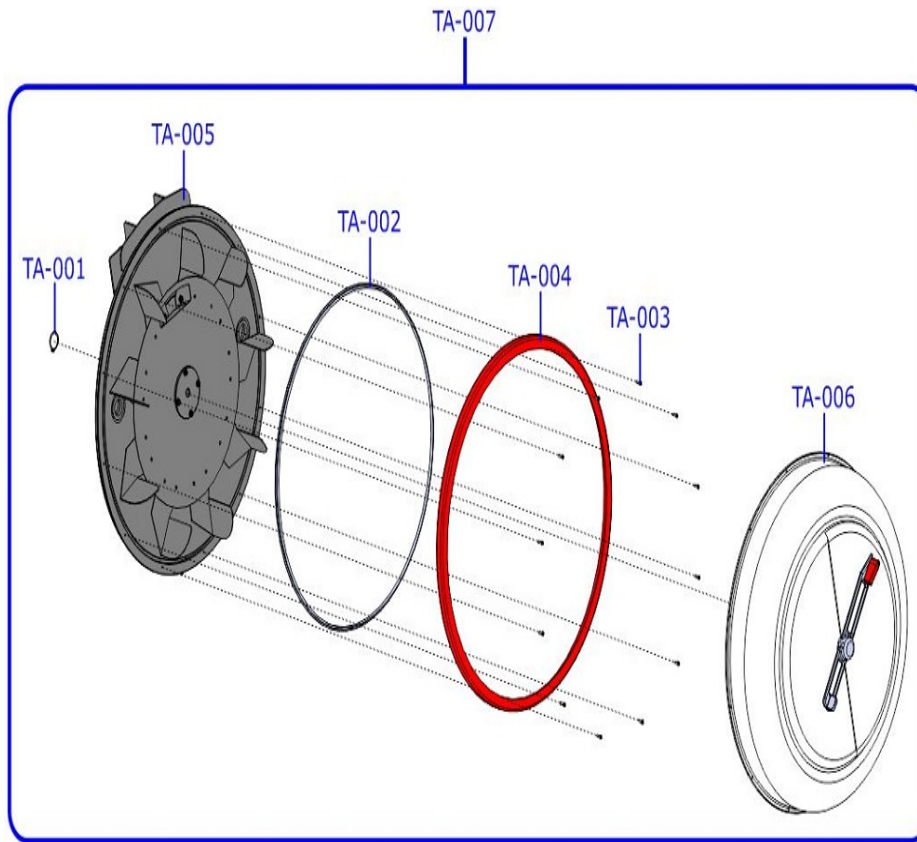
# Seat Assembly



Ref #	Part Number	Qty	Description
SA-001	1006805-0001	1	SEAT: LS-E28
SA-002	0K106-10100-0000	4	WASHER: M6X16X1, 10100
SA-003	0K106-10200-0000	2	SPACER: 8X20X100-B, 10200
SA-004	0K106-20181-0000	4	WASHER: M8.5X19X1.6-B, PLASTIC, 20181
SA-005	0K106-65702-0000	6	WHEEL:-B, SEAT, 65702
SA-006	0K106-75020-0000	4	BOLT: M6X50-B, DOME HEAD, 75020
SA-007	0K106-65921-0000	10	WASHER: M8.5X19X1.6-B, 65921
SA-008	0K106-65931-0000	8	NUT: M8-B, NYLOCK, 65931
SA-009	0K106-65947-0000	6	SPACER: 8X12.7X13-B, SHORT, SEAT WHEEL, 65947
SA-010	0K106-65953-0000	6	BOLT: M8X45-B, HEX HEAD, 65953
SA-011	0K106-70191-0000	2	BOLT: M8X130, HEX HEAD, 70191
SA-012	0K106-75022-0000	2	FRAME: SEAT, CHARCOAL, 75022
SA-013	0K106-75021-0000	4	BUSHING: SEAT, 75021

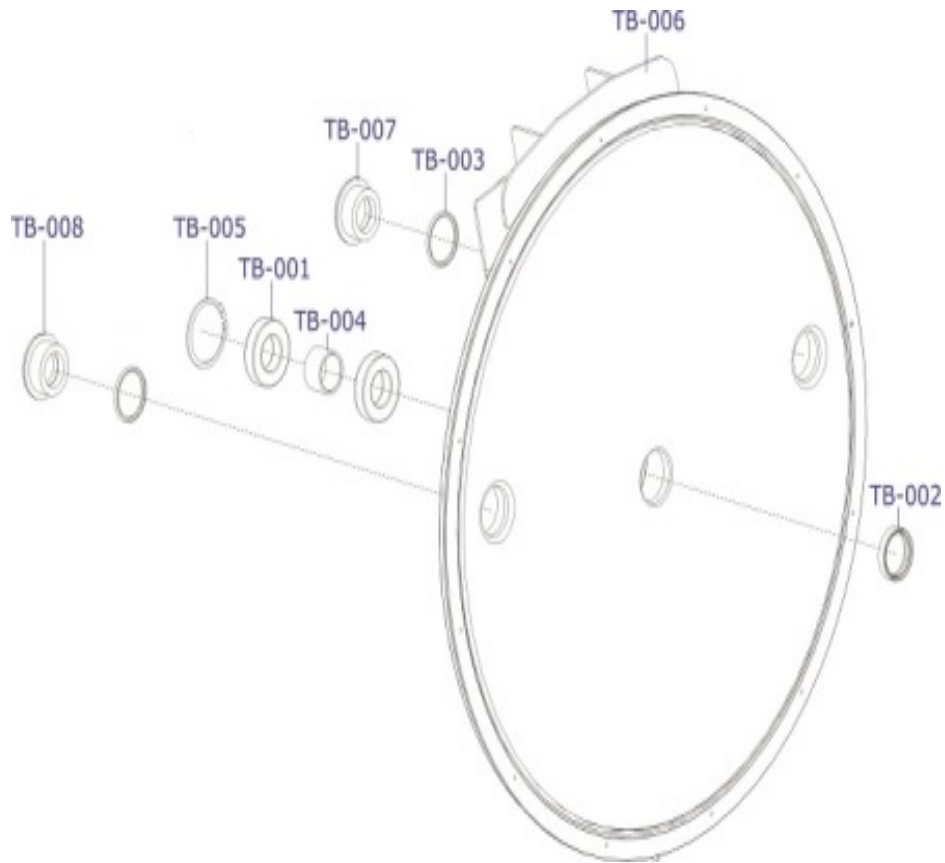


# Tank Assembly



Ref #	Part Number	Qty	Description
TA-001	0K106-10016-0000	1	CLIP: STW-25, C, 10016
TA-002	0K106-10046-0000	1	SEAL: TANK LARGE, 10046
TA-003	0K106-10062-0000	12	SCREW: M3X12 SUS, ROUND HEAD, PHILLIPS, 10062
TA-004	0K106-14044-0000	1	RING: TANK OUTER COVER, RED, 14044
TA-005	0K106-0A402-0000	1	KIT: TANK BACK, BLACK, A402
TA-006	0K106-0A403-0000	1	TANK:COVER ASSY, BLACK, A403
TA-007	0K106-0A401-0000	1	TANK: BACK AND SHELL, COMPLETE ASSY, BLACK, A401

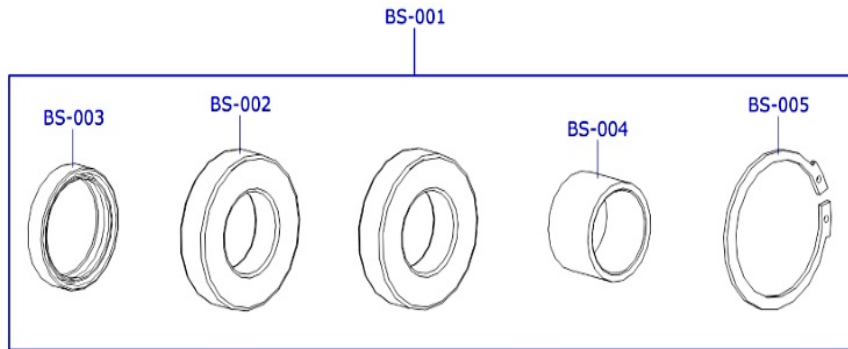
# Tank Back



Ref #	Part Number	Qty	Description
TB-001	0K106-10012-0000	2	BEARING: NSK6005ZZ, 10012
TB-002	0K106-10025-0000	1	SEAL: NBR 37X30X8T, FLYWHEEL SHAFT, 10025
TB-003	0K106-10039-0000	2	RING: 32X3.5, O, 10039
TB-004	0K106-10145-0000	1	SPACER: 30X25.1X20.5MM, BEARING, 10145
TB-005	0K106-10186-0000	1	CLIP: RTW-48, C, 10186
TB-006	0K106-14300-0000	1	BACK: TANK, BLACK, 14300
TB-007	0K106-70321-0000	1	70321 TANK PLUG BLACK "DO NOT REMOVE"
TB-008	1005963-0001	1	PLUG: WING, BLACK, W/FLAT O-RING

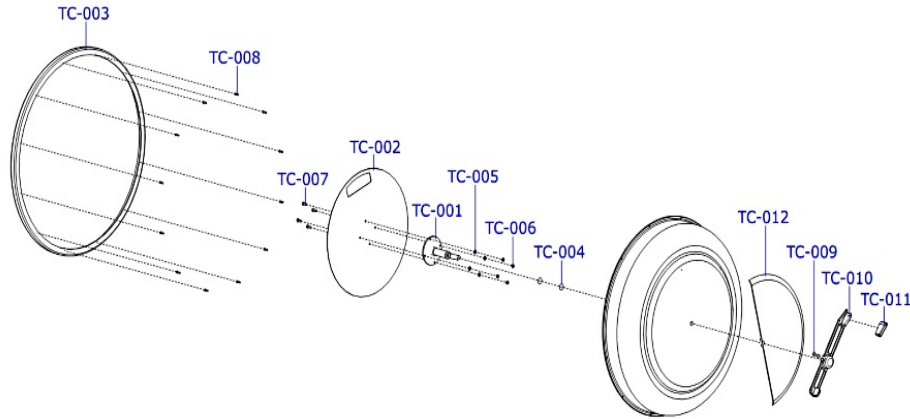
## Tank Bearing and Seals

---



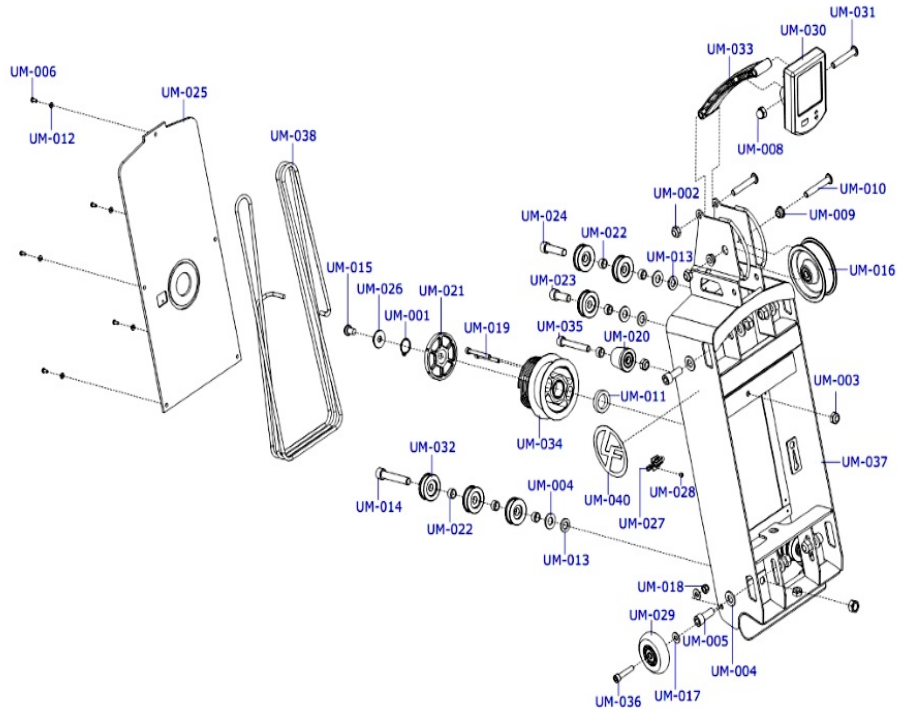
Ref #	Part Number	Qty	Description
BS-001	0K106-0A012-0000	1	KIT: TANK BEARING AND SEAL, A012
BS-002	0K106-10012-0000	2	BEARING: NSK6005ZZ, 10012
BS-003	0K106-10025-0000	1	SEAL: NBR 37X30X8T, FLYWHEEL SHAFT, 10025
BS-004	0K106-10145-0000	1	SPACER: 30X25.1X20.5MM, BEARING, 10145
BS-005	0K106-10186-0000	1	CLIP: RTW-48, C, 10186

# Tank Cover Assembly



Ref #	Part Number	Qty	Description
TC-001	0K106-10027-0000	1	SHAFT: HANDLE, ADJUSTER, 10027
TC-002	0K106-10028-0000	1	PLATE: 0.8MM SUS, BACKING, 10028
TC-003	0K106-13030-0000	1	RING: 358X10, TANK, ADJUSTER PP, 13030
TC-004	0K106-10032-0000	2	RING: 12X9X1.5, O, NYLON, RESISTANCE ADJUSTER, 10032
TC-005	0K106-10033-0000	4	WASHER: 10X4.2X1 SUS, 10033
TC-006	0K106-10034-0000	4	NUT: M4 SUS, 10034
TC-007	0K106-10035-0000	4	BOLT: M4 SUS, HEX HEAD, 10035
TC-008	0K106-10036-0000	12	SCREW: M3X20 SUS, TAPPING, COUNTER SUNK, 10036
TC-009	0K106-10162-0000	2	SCREW: M8X10, TAPPING, 10162
TC-010	0K106-11184-0000	1	HANDLE/ADJUSTER/COVER, PU: 11184
TC-011	0K106-11193-0000	1	COVER: ADJUSTER HANDLE, RED, PU, 11193
TC-012	0K106-74045-0000	1	COVER: TANK, WITH DECAL, CHARCOL, 74045

# Upper Main Frame Assembly



Ref #	Part Number	Qty	Description
UM-001	0K106-10016-0000	1	CLIP: STW-25, C, 10016
UM-002	0K106-65910-0000	3	NUT: M10, NYLOCK, 65910
UM-003	0K106-10042-0000	4	NUT: M12, NYLOCK, 10042
UM-004	0K106-10043-0000	8	WASHER: M13X24X2, 10043
UM-005	0K106-10063-0000	4	BOLT: M12X30, HEX HEAD, 10063
UM-006	0K106-12070-0000	5	SCREW: M4X10, PHILLIPS, ROUND HEAD, 12070
UM-007	0K106-10082-0000	2	WASHER: M10X21X2, 10082
UM-008	0K106-11097-0000	1	NUT: M10, DOME HEAD, 11097
UM-009	0K106-10114-0000	2	BUSHING: 20X16X13X10, PLASTIC, 10114
UM-010	0K106-65918-0000	3	BOLT: M10X60, DOME HEAD, 65918
UM-011	0K106-11137-0000	3	SPACER: 25X38X2, PULLEY, BELT, 11137
UM-012	0K106-11033-0000	5	WASHER: M4X10X1, 11033
UM-013	0K106-11055-0000	4	WASHER: M13X23X3-B, PLASTIC, 11055
UM-014	0K106-13910-0000	2	BOLT: M12X65, HEX HEAD, 13910
UM-015	0K106-21150-0000	1	BOLT: M10X15, DOME HEAD, 21150
UM-016	0K106-60111-0000	1	PULLEY, BELT/BEARING, 2X: 10X105X32, 60111
UM-017	0K106-65921-0000	4	WASHER: M8.5X19X1.6-B, 65921
UM-018	0K106-65931-0000	2	NUT: M8-B, NYLOCK, 65931
UM-019	0K106-62852-0000	2	BOLT: M6X60-B, HEX HEAD, 62852
UM-020	0K106-65960-0000	1	WHEEL, IDLE/BEARING: 6000ZZ X 2(60112), 65960
UM-021	0K106-70315-0000	1	RING: MAGNETIC/MAGNET:RARE EARTH, X6, 70315
UM-022	0K106-71011-0000	10	SPACER: 12X16X8, PULLEY, BUNGEE, 71011

Ref #	Part Number	Qty	Description
UM-023	0K106-71024-0000	1	BOLT: M12X35, HEX HEAD, 71024
UM-024	0K106-73003-0000	2	BOLT: M12X50, HEX HEAD, 73003
UM-025	0K106-73019-0000	1	COVER: PVC, 73019
UM-026	0K106-73082-0000	1	WASHER: M10X30X3, 73082
UM-027	0K106-73117-0000	1	SENSOR: 30CM, LEAD, 733117
UM-028	0K106-73118-0000	1	SCREW: M4x6, PHILLIPS, ROUND HEAD, 73118
UM-029	0K106-73210-0000	2	WHEEL: 8X76X25, TRANSPORT, 73210
UM-030	0K106-75029-0000	1	COMPUTER: L16, W/O USB, 75029
UM-031	0K106-74096-0000	1	BOLT: M10X65-B, DOME HEAD, 74096
UM-032	0K106-74109-0000	1	PULLEY: BUNGEE AND BEARING:6001Z, 12X50X15, 74109
UM-033	0K106-74346-0000	1	STALK: COMPUTER, VXPRO, 74346
UM-034	0K106-74705-0000	1	PULLEY: BELT/BUNGEE, ONE WAY, & NEEDLE BEARING, 74705
UM-035	0K106-75019-0000	10	BOLT: M10X75MM: HEX HEAD, 75019
UM-036	0K106-62809-0000	2	BOLT: M8X40, HEX HEAD, 62809
UM-037	0K106-84321-0000	1	FRAME: UPPER, CHARCOAL, 84321
UM-038	0K106-84504-0000	1	BUNGEE:CRIMPED END, 84504
UM-039	0K106-0A051-0000	1	KIT: SENSOR, A051
UM-040	0K65-01209-0000	1	BUG: LF PRODUCT BRANDING

