

LIFE FITNESS TOTAL BODY ARC

LF-ARC-TB

Parts Manual

2/13/2024 11:19:06 AM

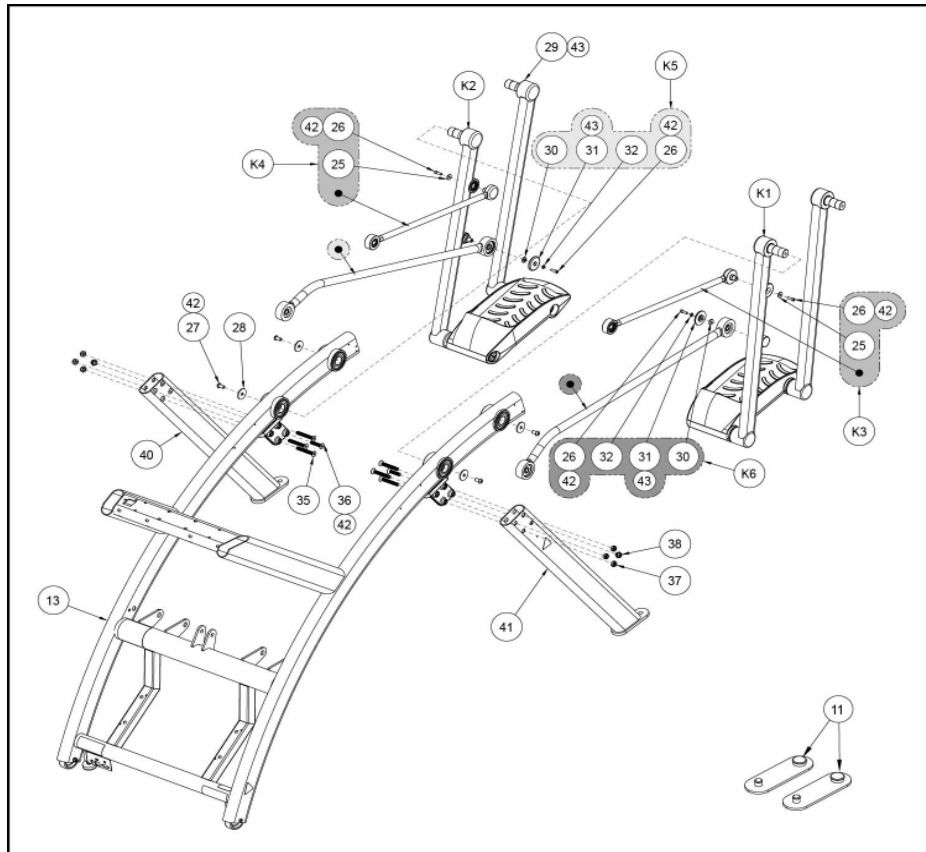


LifeFitness
WHAT WE LIVE FOR

Table of Contents

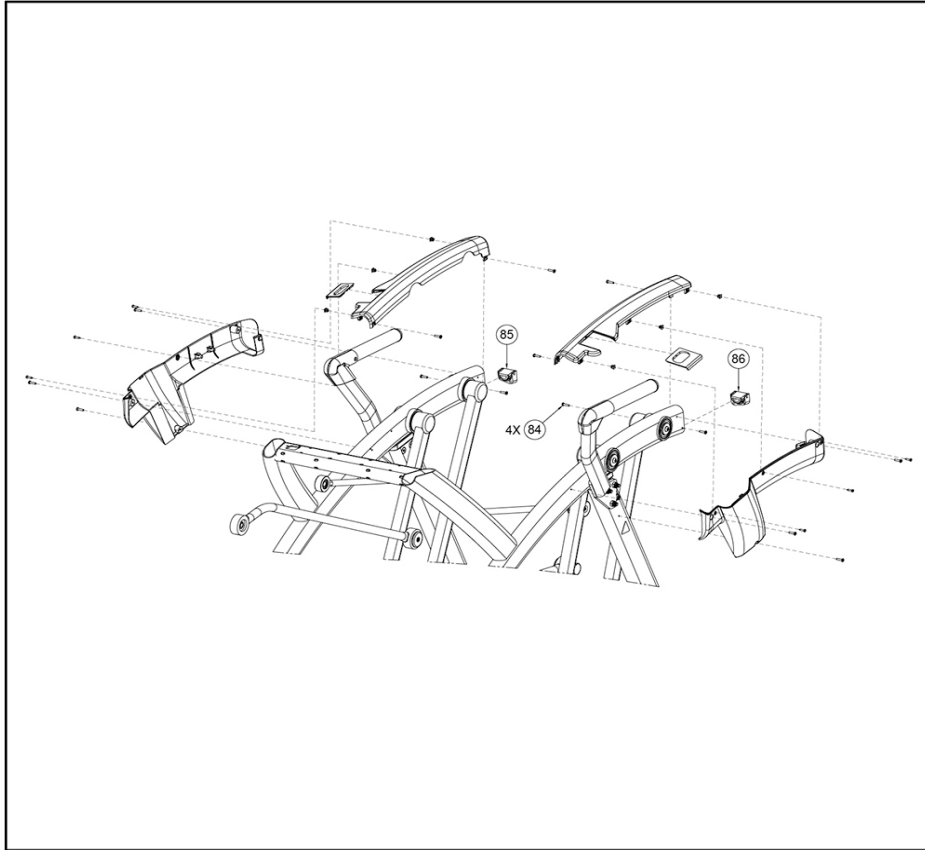
ARC, BASE, TB	3
ARC, BUMPERS, LF	4
ARC, CONSOLE HW, LF	5
ARC, CONSOLE MOUNT, LF/PF, TB, BASIC	6
ARC, CONSOLE TRAY	7
ARC, DRIVE ASSY	8
ARC, FOOTPLATE	10
ARC, FRAME, TB	11
ARC, HANDLE ARMS, STD. HARDWARE	12
ARC, HANDLE, LH, FEATURED	13
ARC, HANDLE, RH, FEATURED	14
ARC, LOWER ELECTRONICS	15
ARC, RUFFIAN, DECALS, LIFE FITNESS	16
ARC, SIDE COVER HW, TB	17
ARC, SIDE COVER, TB, LF	18
ARC, STD. CABLING, TB	20
ARC, TB, INTEGRITY SL, WIRING DIAGRAM	21
ARC, TLA DRIVE ASSY	22

ARC, BASE, TB



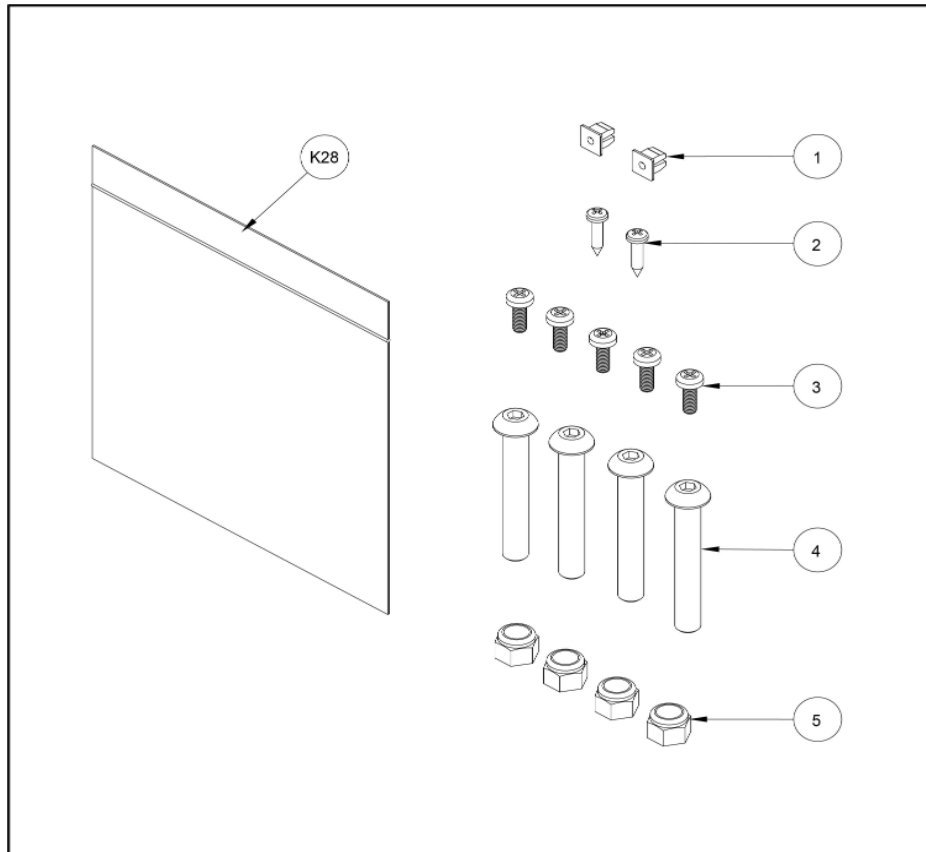
Ref #	Part Number	Qty	Description
K1	1009566-0001	1	KIT: FOOTPLATE ARM, LH
K2	1009567-0001	1	KIT: FOOTPLATE ARM, RH
K3	1009424-0001	1	KIT, ARM HANDLE LINKAGE, LH
K4	1009425-0001	1	KIT ARM HANDLE LINKAGE RH
K5	1009423-0001	1	KIT, LINKAGE ROD RIGHT- Black Wrinkle
K6	1009422-0001	1	KIT, LINKAGE ROD LEFT- Black Wrinkle
25	HS307603	2	WASHER FLAT .253 ID X .750 OD X .120
26	HX622815	6	SHCS .250-20 X .75 SS
27	HC700415	4	BHSCS .375-16 X .75
28	HS347602	4	WASHER .390 X 1.500 X .124 FLAT
29	770A-204	2	W/ FOOT PLATE ARM, REAR
30	600A-311	4	SPACER FLANGE
31	PL-16535	4	CAP, LINKAGE ROD, 2.00 OD
32	HS307601	4	WASH FLAT .281 .500 .062 T
35	1006745-0003	6	BOLT, FLAT HEAD, M10 X 1.5
36	1006745-0001	2	BOLT, FLAT HEAD, M10 X 1.5
37	0017-00103-0334	6	NUT: M10 X 1.50-6H6H, DIN, LOCKNUT, ST, ZB
38	7335401	2	NUT, M10 X 1.5 SOCKET HEAD
39	1007078-0001	4	PLATE, SPACER, CRUISER HANDLE
40	1006818-0000	1	WLDMT, REAR LEG ARC, RH
41	1006817-0000	1	WLDMT, REAR LEG ARC, LH
42	YA000201	1	ADH THRD LKR REM .02 OZ 242

ARC, BUMPERS, LF



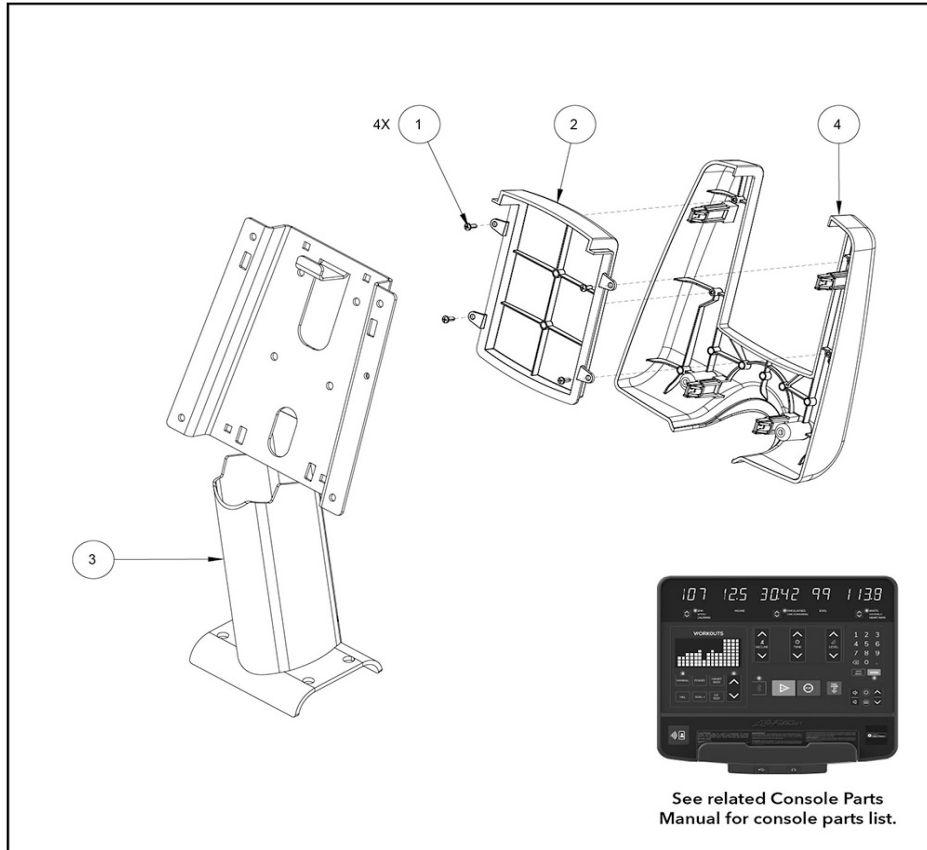
Ref #	Part Number	Qty	Description
83	HT572515	4	SCREW, PAN HEAD PHILIPS 10-24 X .75 TYPE 23, BLK
84	1008809-0001	1	BUMPER: REAR PLASTIC SUPPORT, RH
85	1008810-0001	1	BUMPER: REAR PLASTIC SUPPORT, LH

ARC, CONSOLE HW, LF



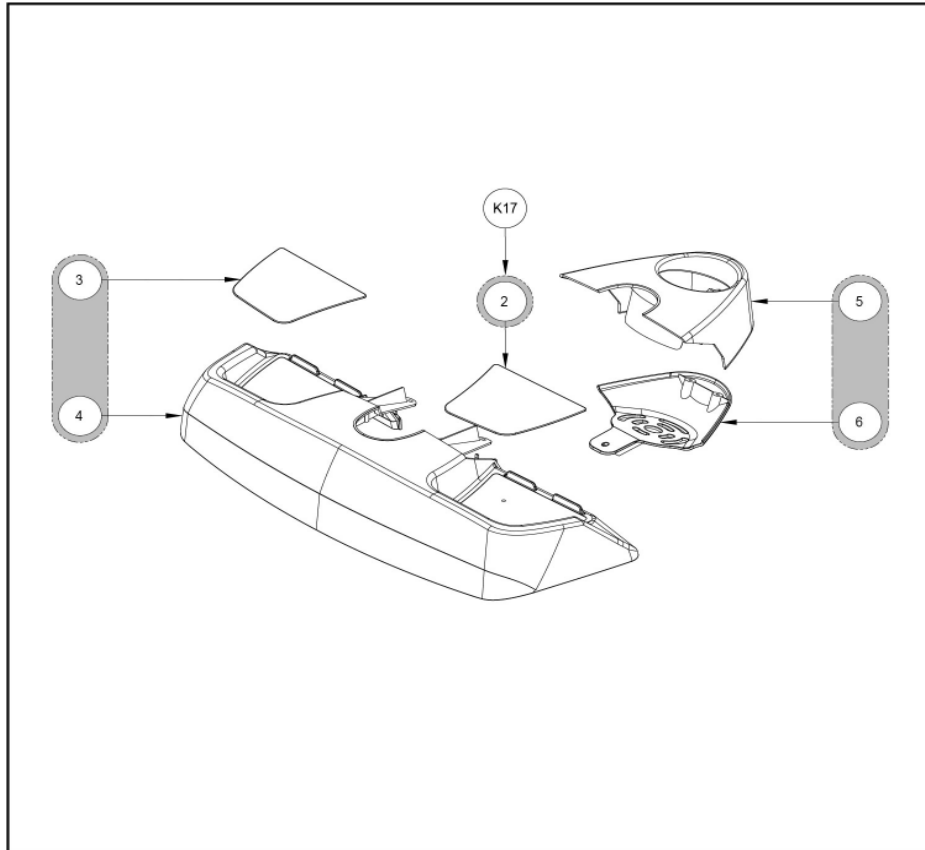
Ref #	Part Number	Qty	Description
1	0017-00042-1147	2	GROMMET: SCREW, 8 OR 10
2	0017-00101-1796	2	SCREW: M4.2 X 0.7 6G6G X 19, DIN, PHL, PAN, AB, ST, ZB
3	0017-00101-1940	5	SCREW: M5 X 0.8 X 14, PHL, PAN, MS, ST, ZN
4	HC700430	4	BHSCS .375-16 X 2.50
5	HN704901	4	LOCKNUT .375-16 NYLON
K28	773AT-341	1	HARDWARE PACK, 773AT CONSOLE MOUNT, LF

ARC, CONSOLE MOUNT, LF/PF, TB, BASIC

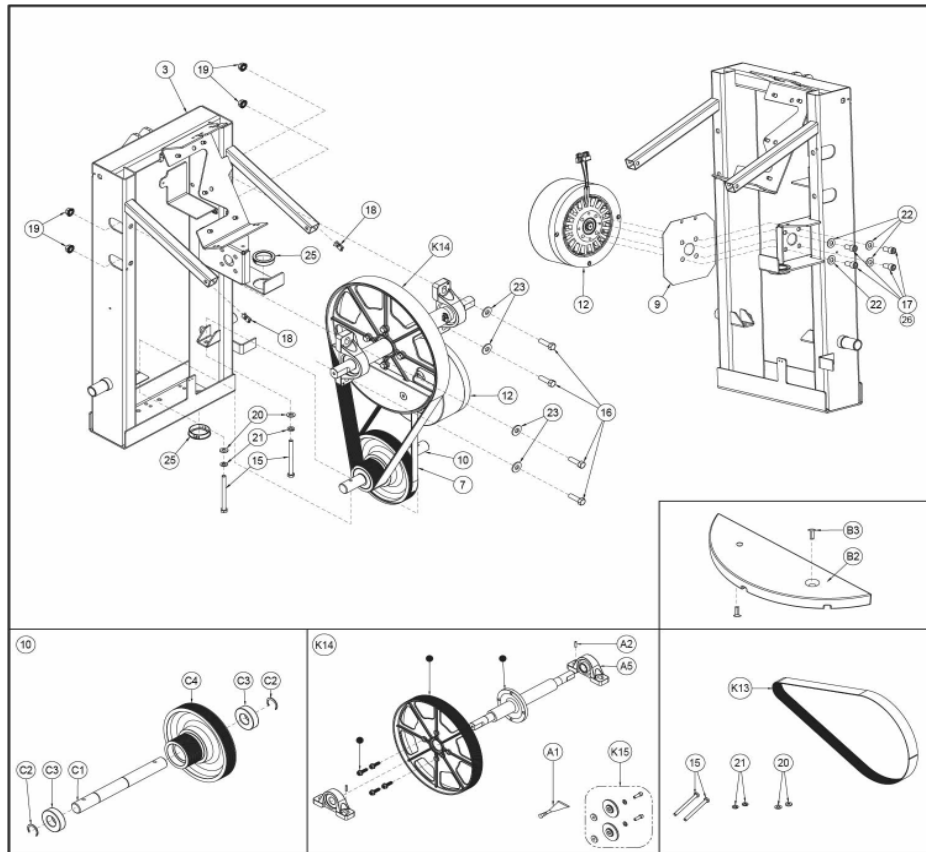


Ref #	Part Number	Qty	Description
1	0017-00101-1650	4	SCREW: 6-19 X 6, PHL, PAN, PLT, ST, ZB, VMI
2	1007407-0001	1	ASSEMBLY: SHROUD, REAR, FILLER
3	1011571-0001	1	WELDMENT: MOUNT, CONSOLE, ARC, TB
4	773AT-315	1	CONSOLE, BACK SHROUD

ARC, CONSOLE TRAY



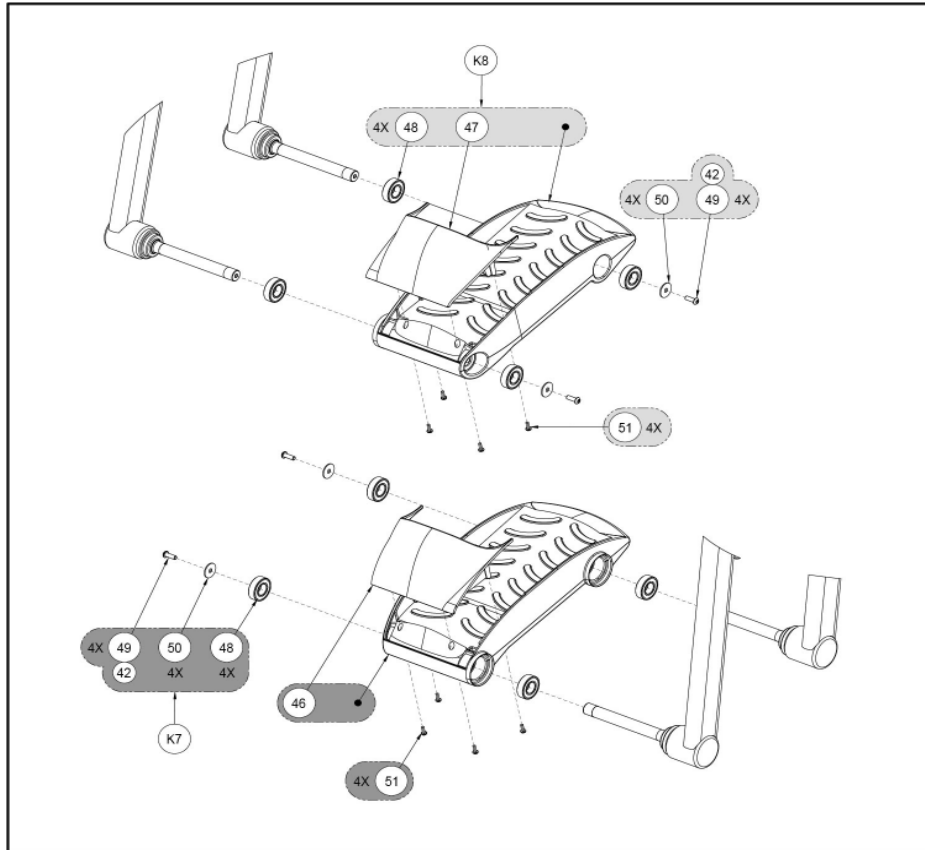
Ref #	Part Number	Qty	Description
2	773AT-326	1	DECAL 773AT, LH
3	773AT-327	1	DECAL 773AT, RH
4	770A-316-24LF	1	BASE, ACCESSORY TRAY
5	770A-317-24LF	1	COVER, TOP, ACCESSORY TRAY
6	770A-318-24LF	1	COVER, BOTTOM, ACCESSORY TRAY
K17	773ATK019	1	KIT, TRAY

ARC, DRIVE ASSY


Ref #	Part Number	Qty	Description
C1	771A-318	1	SHAFT, LOWER
A2	HX-17023	2	PIN, SPRING .187X.813 LG, TYPE 420, ST STL
B2	FM-19507	2	COUNTERWEIGHT
C2	BR030221	2	RING RETAINING EXT CRESCENT
B3	JC700922	2	FHSCS .375-16 X 1.50
C3	FB030243	2	BEARING 25MMIDX52MMOD 6205
C4	PW-16521	1	PULLEY, DRIVE
A5	600A-340	2	BEARING PILLOW BLOCK 1.00
7	630A-328	1	BELT SECONDARY DRIVE 7 RIB
9	750A-364	1	Spacer Gen Winding
10	771A-110	1	DOUBLE PULLEY ASSY
12	AX-19550	1	ASSEMBLY ECB/GEN
K13	773ATK005	1	KIT, 16 RIB BELT TENSIONING
K14	773ATK006	1	KIT, PULLEY CRANK SHAFT
K15	773ATK007	1	KIT, LINKAGE CAP
15	HC661240	4	HX HD CAP SC .312-18 X 3.75
16	HC701220	4	BOLT, 3-8-16X1.25.HXHD
17	HC702815	4	SHCS .375-16 X .750
18	HF579000	2	PANEL FASTENER 10-24 U TYPE
19	HN704001	4	LOCKNUT, .375-16 SERRATED HEX
20	HS327600	4	WASHER SAE .312
21	HS328300	4	LOCKWASHER SPLIT .312

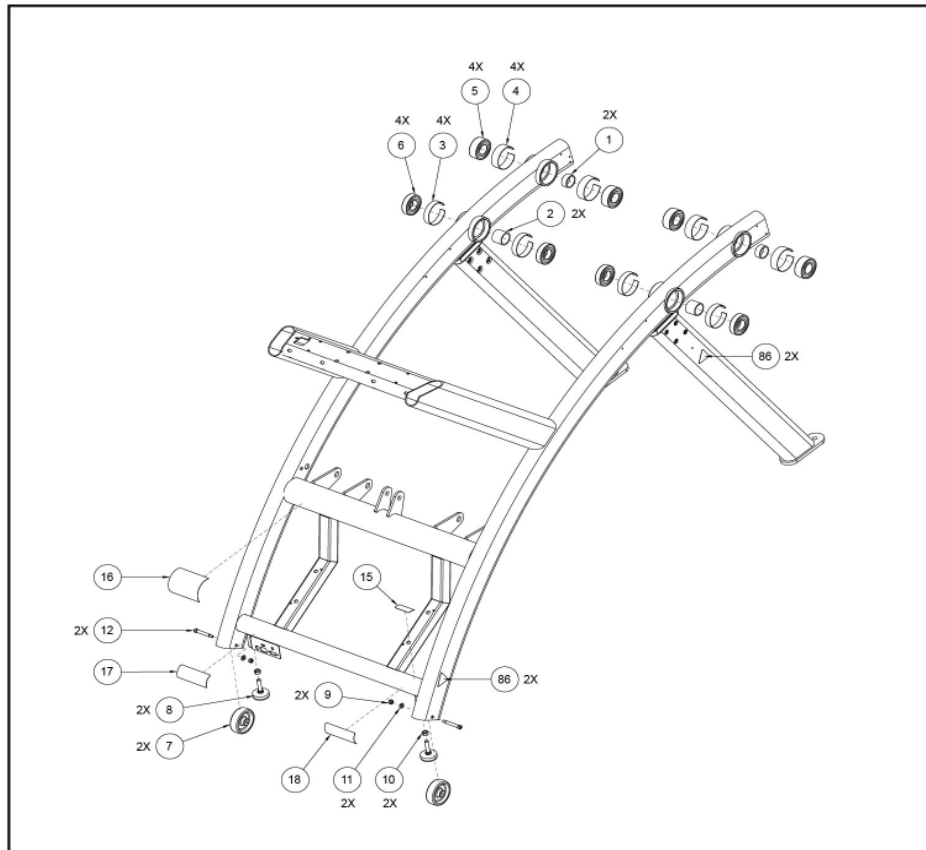
Ref #	Part Number	Qty	Description
22	HS347600	4	WASHER SAE .375
23	HS347700	4	WASHER USS .375
25	HX-17050	2	BUSHING,1.275IDX1.87 OD,NYLON INSULATED
26,A1	YA000201	2	ADH THRD LKR REM .02 OZ 242

ARC, FOOTPLATE



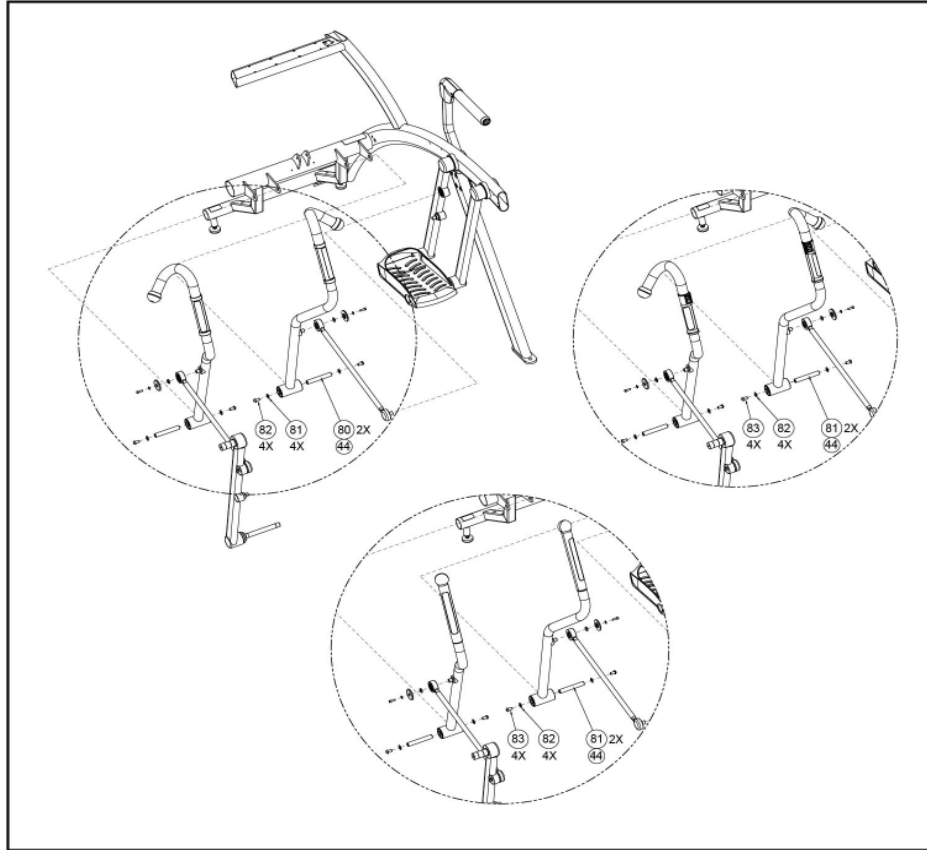
Ref #	Part Number	Qty	Description
K7	773ATK013	1	KIT, FOOT PLATE LEFT
K8	773ATK012	1	KIT, FOOT PLATE RIGHT
42	YA000201	1	ADH THRD LKR REM .02 OZ 242
46	740A-380	1	Toe Cap LH
47	740A-381	1	Toe Cap RH
48	HB-17036	8	BEARING,BALL, .750DIA
49	HC620415	4	BHSCS .250-20 X .75, BL ZN
50	HS307604	4	WASHER, FLAT .281 ID X 1.000 OD X .063 TH BL ZN
51	HT552512	8	TAP SC NO. 8-16 X .50 PLASTITE PAN HEAD PHILLIPS BLACK

ARC, FRAME, TB



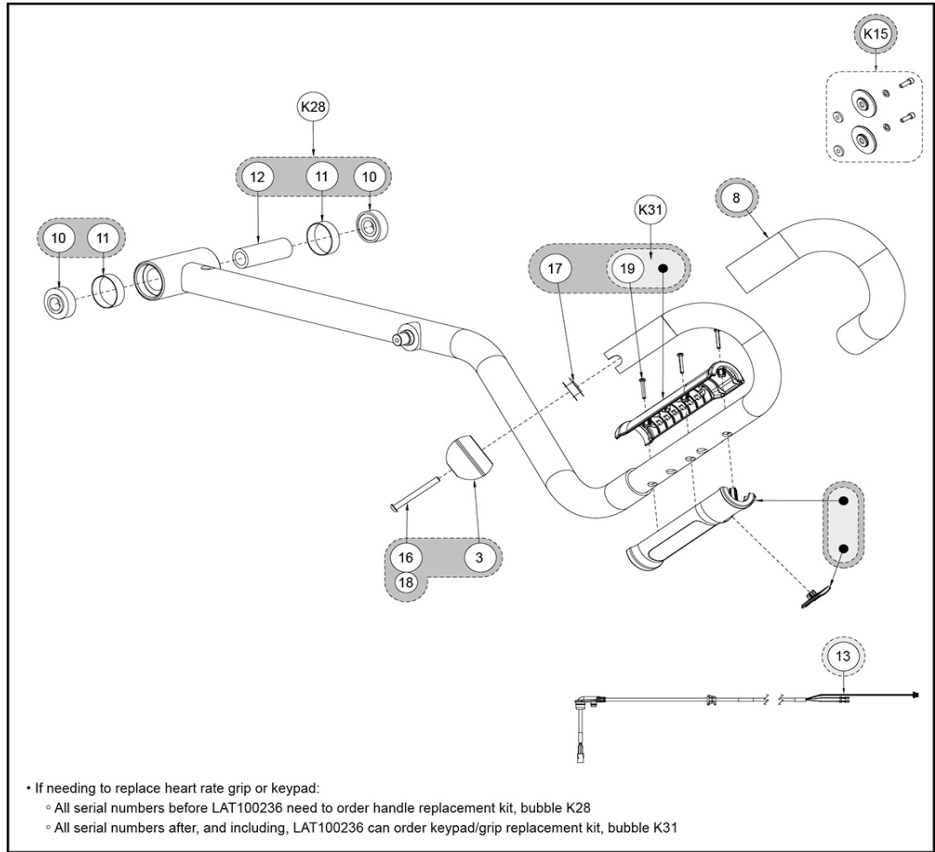
Ref #	Part Number	Qty	Description
1	750A-312	2	Tube Spacer
2	750A-325	2	Tube Spacer
3	FC030003	4	TOLERANCE RING 2.4409 ID
4	FC030011	4	Tolerance Ring .62mm dia
5	FB030256	4	BEARING BALL 1.181 DIA DOUBLE ROW
6	HB-17280	4	BEARING,BALL,SINGLE ROW,6206
7	CW-17231	2	WHEEL, TENSIONER
8	HG700022	2	LEVELING GLIDE 3-8-16
9	HN624901	2	LOCKNUT .250-20 NYLON BLACK ZINC
10	HN704000	2	HEX NUT .375-16
11	HS328300	2	LOCKWASHER SPLIT .312
12	JD623324	2	S BOLT .312 X 1.75 .250-20
15	DE000033-N	1	LABEL: USA CROSSTRAINERR, ARABIC-SAUDI ARABIA
16	525AT-400	1	DECAL, DISCONNECT POWER ENG, FRE, GER, SPA
18	1008360-0001	1	DECAL: COMPLIANCE ARC TRAINER

ARC, HANDLE ARMS, STD. HARDWARE



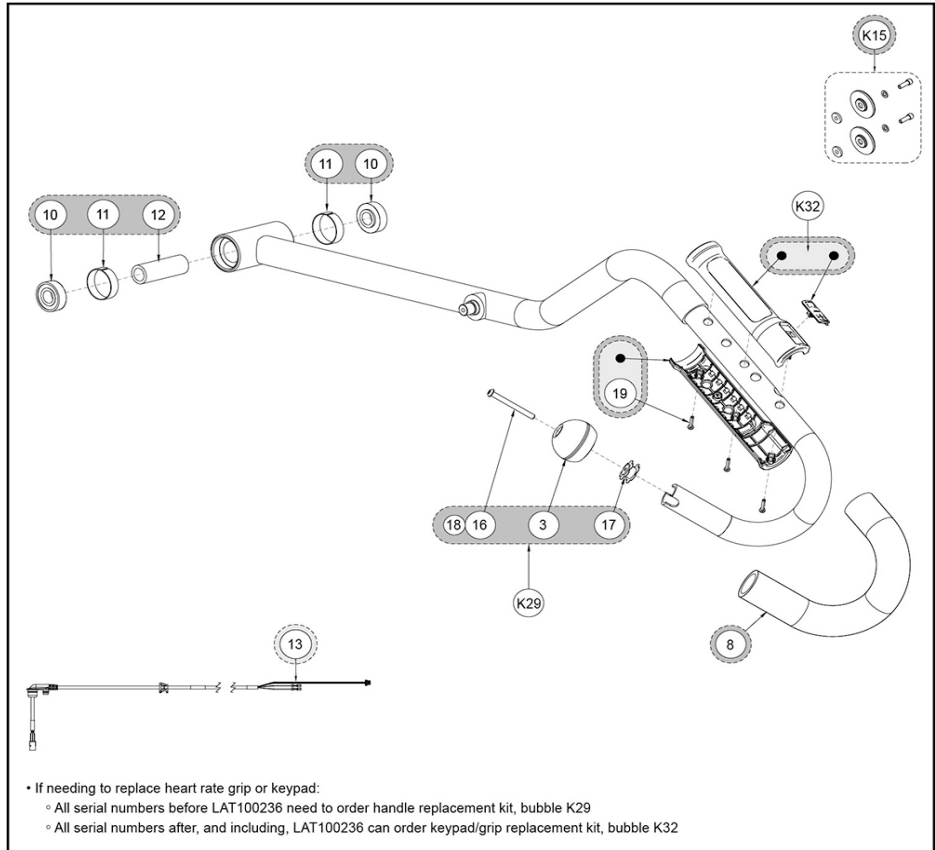
Ref #	Part Number	Qty	Description
44	YG000007	2	GREASE TRANS LUBRIPLATE 1200-2
80	610A-351	2	PIN PIVOT
81	HS347600	4	WASHER SAE .375
82	HX700415	4	BHSCS .375-16 X .75 SS

ARC, HANDLE, LH, FEATURED



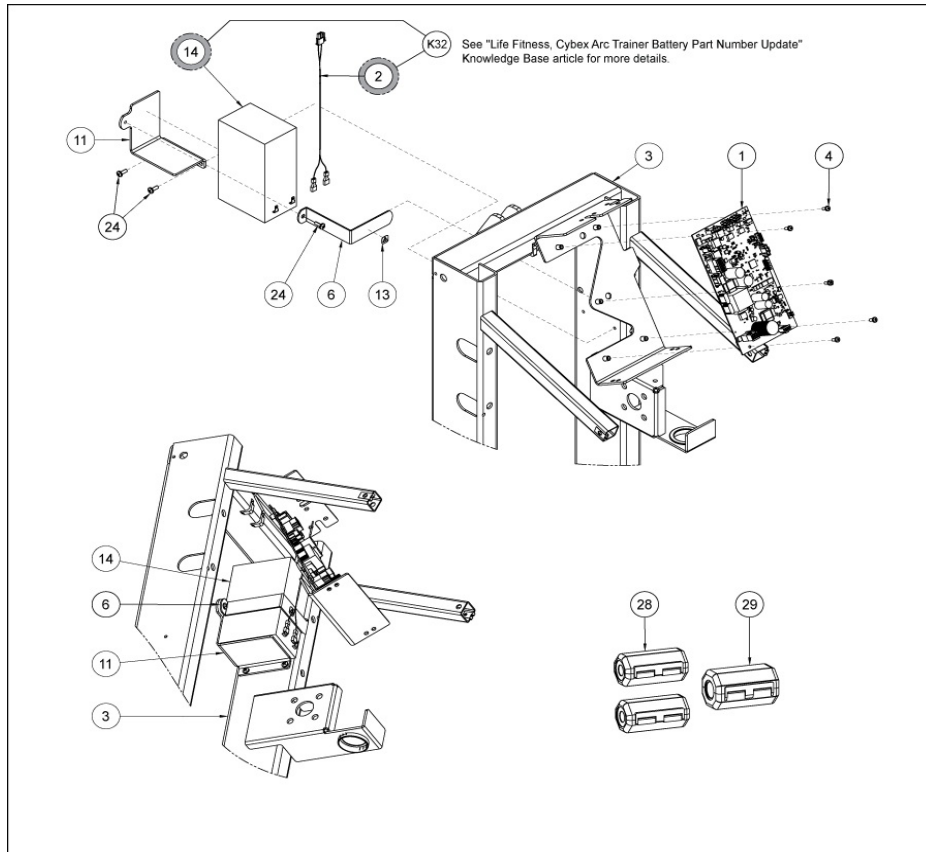
Ref #	Part Number	Qty	Description
3	1006574-0001	1	CAP: TUBE, BALL END, 1.25 X 16 GA
8	1006795-0001	1	GRIP 14.05
10	FB030232	2	BRG RADIAL 17MM ID EXT RACE
11	FC030006	2	TOLERANCE RING 1.575 ID
12	610A-356	1	TUBE SPACER
13	1006646-0001	1	CABLE: 7XX TB ARC GRIP, ARM
K15	773ATK007	1	KIT, LINKAGE CAP
16	HC620430	1	BHSCS .250-20 X 2.50
17	HF449064	1	INSERT 1.12 X .250-20 UNC
18	YA000201	1	ADH THRD LKR REM .02 OZ 242
19	0017-00101-2054	3	SCREW: 6-19 X 16, PHL, PAN, HLS, ST, ZN
K28	1009614-0001	1	KIT: HANDLE, ARC, LH, FEATURED
K31	1018402-0001	1	KIT: KEYPAD/GRIP, HANDLE, ARC TRAINER, LH, FEATURED

ARC, HANDLE, RH, FEATURED



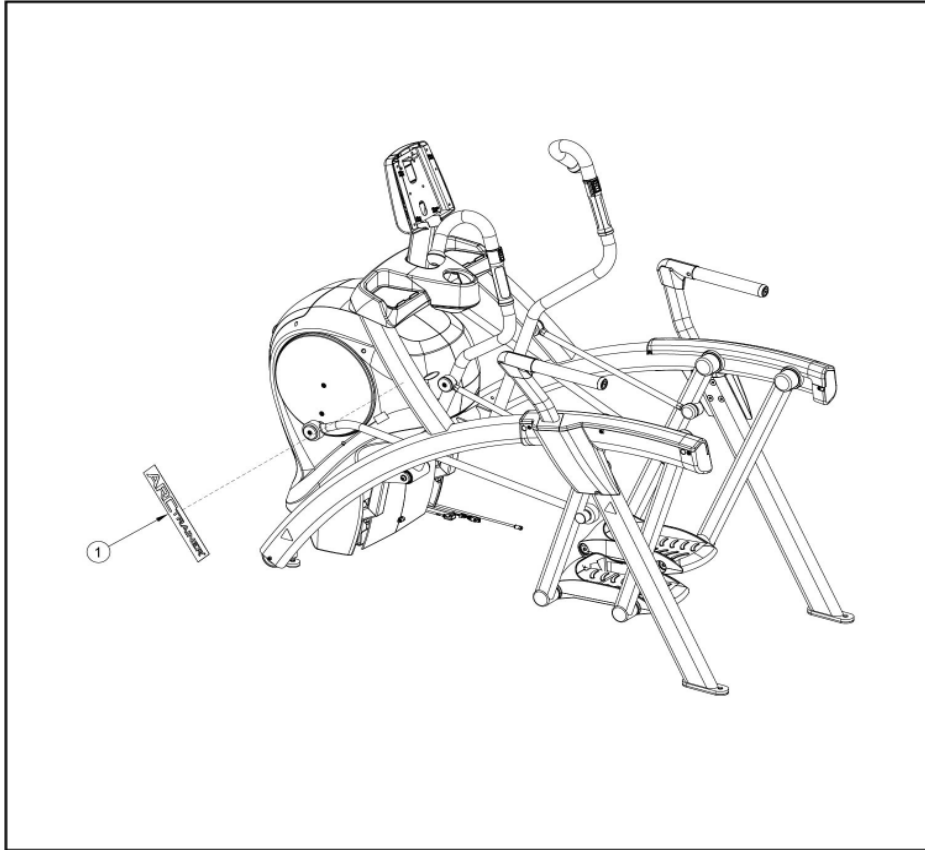
Ref #	Part Number	Qty	Description
3	1006574-0001	1	CAP: TUBE, BALL END, 1.25 X 16 GA
8	1006795-0001	1	GRIP 14.05
10	FB030232	2	BRG RADIAL 17MM ID EXT RACE
11	FC030006	2	TOLERANCE RING 1.575 ID
12	610A-356	1	TUBE SPACER
13	1006646-0001	1	CABLE: 7XX TB ARC GRIP, ARM
K15	773ATK007	1	KIT, LINKAGE CAP
16	HC620430	1	BHSCS .250-20 X 2.50
17	HF449064	1	INSERT 1.12 X .250-20 UNC
18	YA000201	1	ADH THRD LKR REM .02 OZ 242
19	0017-00101-2054	3	SCREW: 6-19 X 16, PHL, PAN, HLS, ST, ZN
K29	1009614-0002	1	KIT: HANDLE, ARC, RH, FEATURED
K32	1018403-0001	1	KIT: KEYPAD/GRIP, HANDLE, ARC TRAINER, RH, FEATURED

ARC, LOWER ELECTRONICS



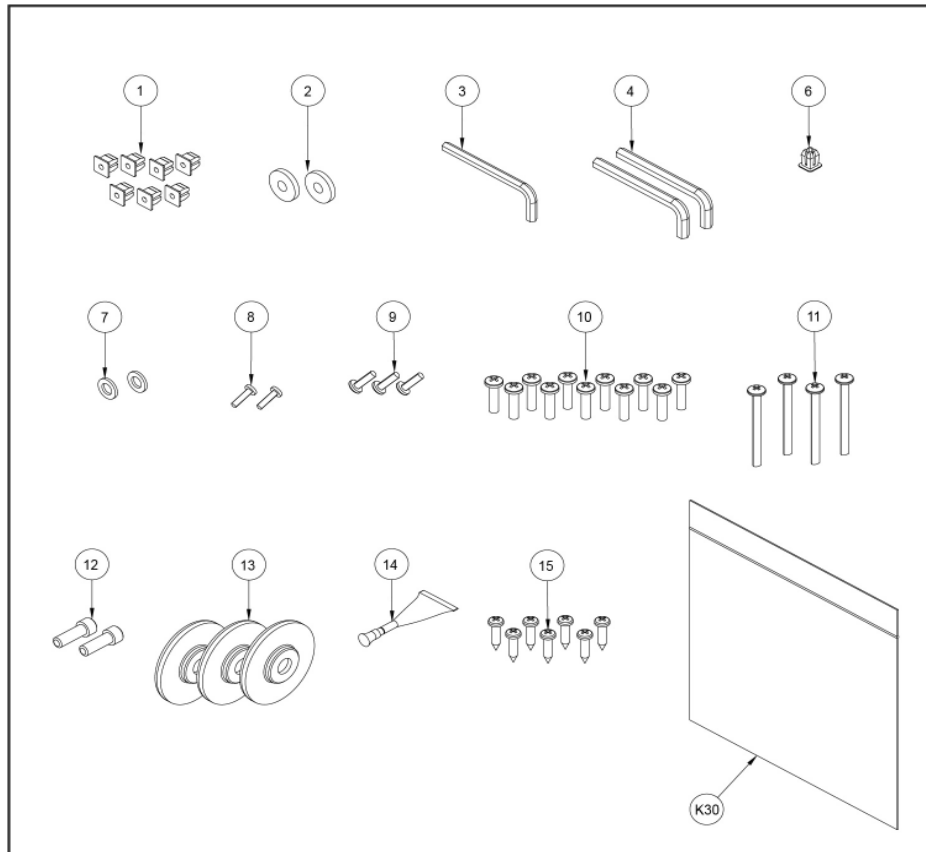
Ref #	Part Number	Qty	Description
1	1015538-0021	1	RUFFIAN RCB MCFLY
2	1006656-0001	1	CABLE: BATTERY
3	1006840-0000	1	W/ DRIVE FRAME
4	0017-00101-1989	5	SCREW: M4 X 6G6G X 10, PHL, PAN, ST, ZN
6	630A-314	1	CLAMP BATTERY
11	771A-314	1	TRAY, BATTERY
13	DE-19586	1	LABEL WARNING ICON
14	1020057-0001	1	KIT: BATTERY 1019996-0001 + CABLE, 773, GSC ARC TRAINER
24	HT572512	3	TAP SC NO. 10 - 24 X .50 PN HD PHIL
28	1007096-0001	2	FERRITE: ROUND CABLE SNAP, 240 OHM @ 250MHZ
29	1008072-0001	1	FERRITE: 31 ROUND CABLE CORE, 0.40 IN ID

ARC, RUFFIAN, DECALS, LIFE FITNESS



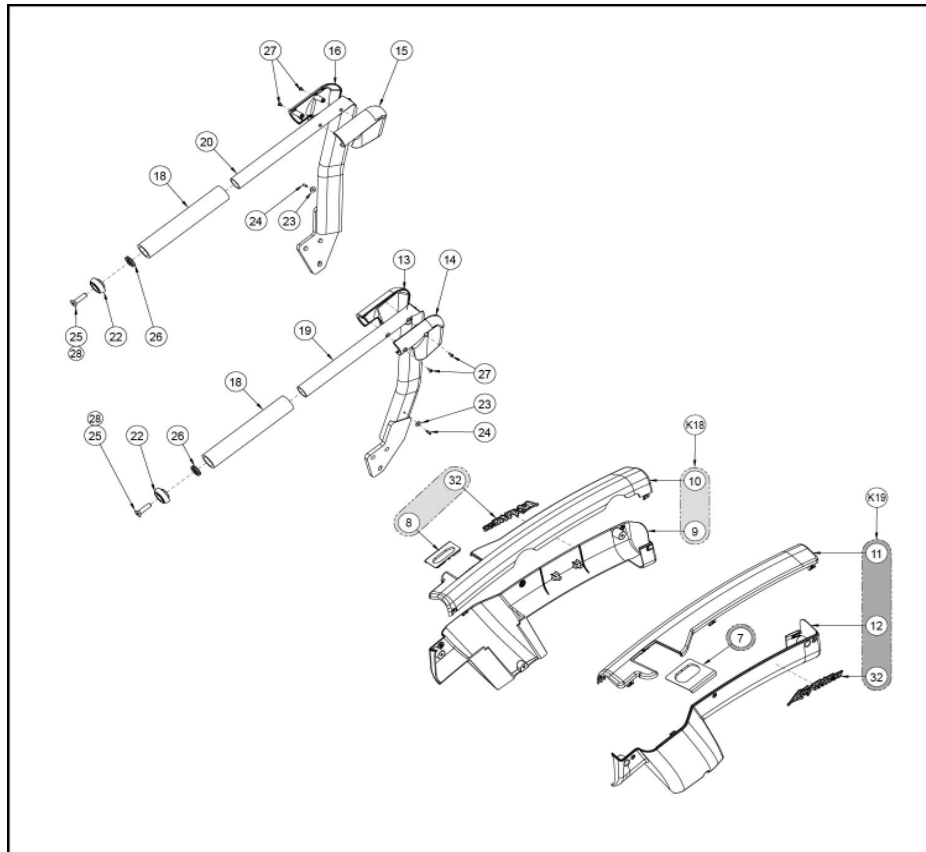
Ref #	Part Number	Qty	Description
1	1008186-2400	2	DECAL: ARC TRAINER

ARC, SIDE COVER HW, TB



Ref #	Part Number	Qty	Description
1	0017-00042-1147	7	GROMMET: SCREW, 8 OR 10
2	600A-311	2	SPACER FLANGE
3	BK030201	1	HEX KEY .188IN
4	BK030204	2	HEX KEY .219IN
6	HF540200	1	GROMMET NYLON
7	HS307601	2	WASH FLAT .281 .500 .062 T
8	HT532512	2	PN HD PHIL SC #6 X .50 PLASTITE
9	HT552512	3	TAP SC NO. 8-16 X .50 PLASTITE PAN HEAD PHILLIPS BLACK
10	HT572515	11	SCREW, PAN HEAD PHILIPS 10-24 X .75 TYPE 23, BLK
11	HT592526	4	Tap Sc 10-12 x 2.00 Pn Hd Phil
12	HX622815	2	SHCS .250-20 X .75 SS
13	PL-16535	3	CAP, LINKAGE ROD, 2.00 OD
14	YA000201	1	ADH THRD LKR REM .02 OZ 242
15	0017-00101-1796	7	SCREW: M4.2 X 0.7 6G6G X 19, DIN, PHL, PAN, AB, ST, ZB
K30	1007610-0001	1	HW PACK: SIDE COVER, ARC, TOTAL BODY

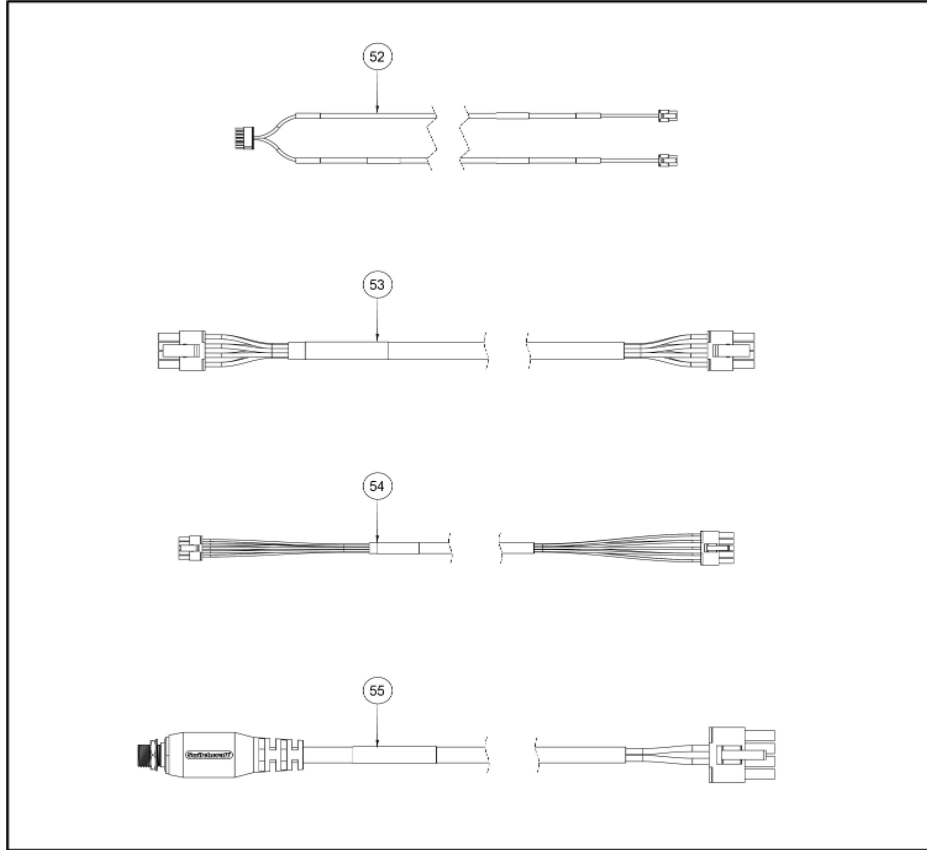
ARC, SIDE COVER, TB, LF



Ref #	Part Number	Qty	Description
7	1007059-0000	1	GASKET: REAR SHROUDS, LH
8	1007053-0000	1	GASKET: REAR SHROUDS, RH
9	1007054-0000	1	SHROUD: BOTTOM REAR RH
10	1007055-0000	1	SHROUD: TOP REAR RH
11	1007056-0000	1	SHROUD: TOP REAR HANDLE LH
12	1007058-0000	1	SHROUD: BOTTOM REAR, LH
13	770AT-310-24LF	1	HANDLE COVER OUTSIDE, LH
14	770AT-311-24LF	1	COVER HANDLE INSIDE, LH
15	770AT-312-24LF	1	HANDLE COVER OUTSIDE, RH
16	770AT-313-24LF	1	COVER HANDLE INSIDE, RH
17	12090-322	2	PAD FOOT (6.25")
18	770AT-306	2	GRIP, 9.50 INCHES
K18	1009579-0001	1	KIT:ARC, SIDE COVERS, RH, HANDLE,LF
K19	1009579-0002	1	KIT:ARC, SIDE COVERS, LH, HANDLE, LF
19	771AT-206	1	W SIDE HANDLE LH
20	771AT-207	1	W SIDE HANDLE RH
21	770A-310	1	BRACKET, LOWER, DISPLAY MOUNT
22	770A-401	2	CAP, END, 1.680 OD
23	770A-345	2	WASHER, MDPE, .150 ID X .500 OD X .100
24	HP296712	2	PIN, SPRING .156 X .500
25	HC700922	2	FHSCS .375-16 X 1.500, SS
26	HF709000	2	NSERT 1.12 X .375-16 UNC

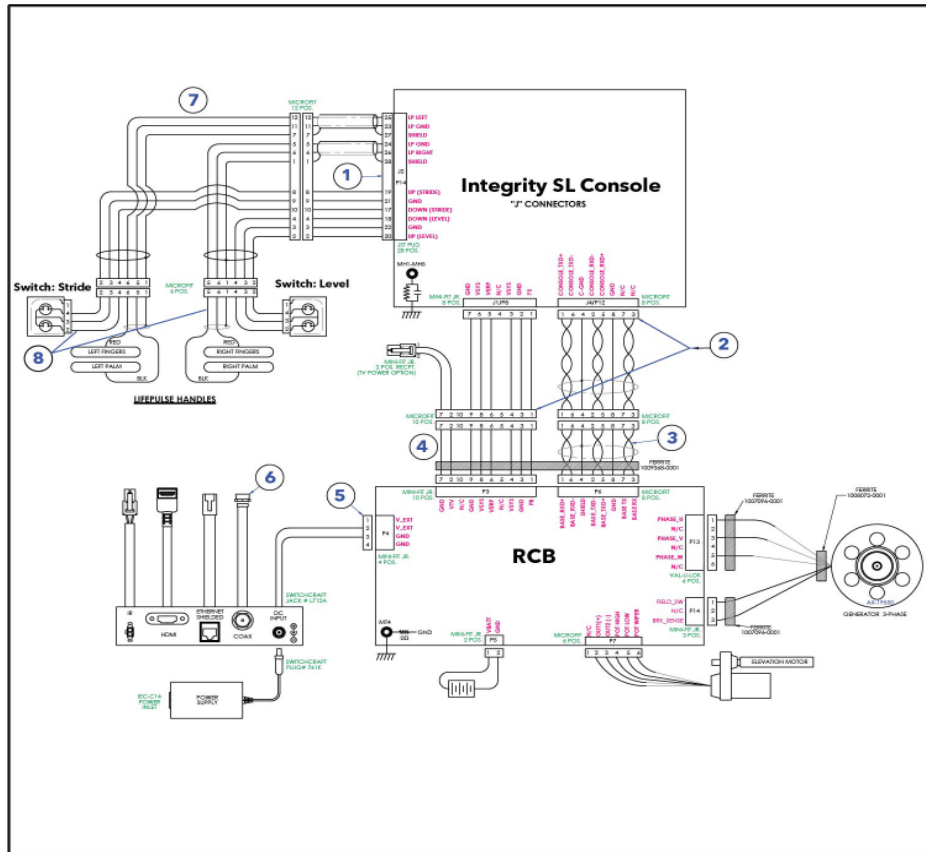
Ref #	Part Number	Qty	Description
27	HT552510	4	TAP SC NO 6-20 X .375 AB PHIL
28	YA000201	1	ADH THRD LKR REM .02 OZ 242
32	1008397-0000	2	DECAL: LF BADGE

ARC, STD. CABLING, TB



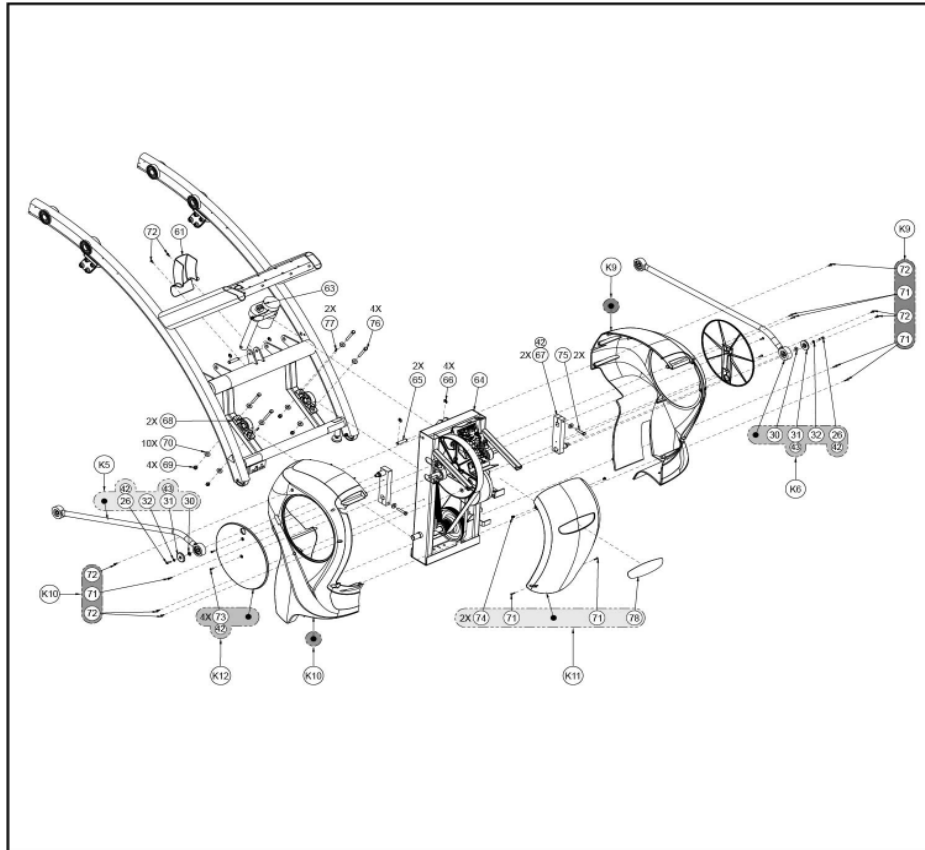
Ref #	Part Number	Qty	Description
52	1006663-0001	1	CABLE: TB ARC GRIP, FRAME
53	1002239-0005	1	CABLE: CONSOLE TO BASE, SIGNAL, 2970MM
54	1006691-0001	1	CABLE: CONSOLE, ARC, FRAME, PWR
55	1003521-0004	1	CABLE: POWER, RCB TO PANEL, 5A

ARC, TB, INTEGRITY SL, WIRING DIAGRAM



Ref #	Part Number	Qty	Description
1	1015376-0000	1	CABLE: MCFLY ARC, COMM INTERFACE, TOTAL BODY
2	1015797-0000	1	CABLE: MCFLY ARC, CONSOLE TO BASE, POWER
3	1002239-0005	1	CABLE: CONSOLE TO BASE, SIGNAL, 2970MM
4	1006691-0001	1	CABLE: CONSOLE, ARC, FRAME, PWR
5	1003521-0004	1	CABLE: POWER, RCB TO PANEL, 5A
6	1006664-0002	1	CABLE: RG6U COAX
7	1006663-0001	1	CABLE: TB ARC GRIP, FRAME

ARC, TLA DRIVE ASSY



Ref #	Part Number	Qty	Description
K9	773ATK024	1	KIT, GSC COVER LEFT
K10	773ATK025	1	KIT, GSC COVER RIGHT
K11	773ATK026	1	KIT, ACCESS COVER (with LF decal)
K12	1009568-0002	2	KIT: CRANK COVER, NO DECAL
61	740A-354-24LF	1	COVER, ELEVATION MOTOR
63	1006711-0001	1	MOTOR, ELEVATION, 12VDC, 1/2HP
64	1006841-0001	1	DRIVE FRAME ASSEMBLY
65	AP030055	2	Pin Groove .50 x 2.00
66	BR030228	4	Retaining Ring .500 External
67	1017795-0001	2	ASSY: ARM CRANK
68	600A-340	2	BEARING PILLOW BLOCK 1.00
69	HN704901	4	LOCKNUT .375-16 NYLON
70	HS347700	10	WASHER USS .375
71	HT552515	9	TAP SC NO. 8-16 X .75 PLASTITE PN HD PHIL BLK
72	HT572512	8	TAP SC NO. 10 - 24 X .50 PN HD PHIL
73	HM582514	4	PN HD PHIL SC NO 10-32 X .625 BLK ZN
74	HF540200	2	GROMMET NYLON
75	HH701226	2	BOLT, HHCS GRD 8, .375-16 X 2.0
76	HC701234	4	HX HD CAP SC .375-16 X 3.00
77	HX-17023	2	PIN,SPRING .187X.813 LG,TYPE 420,ST STL
78	750A-349	1	Decal ARC

