

SCIFIT SONE02

SONE02

Parts Manual

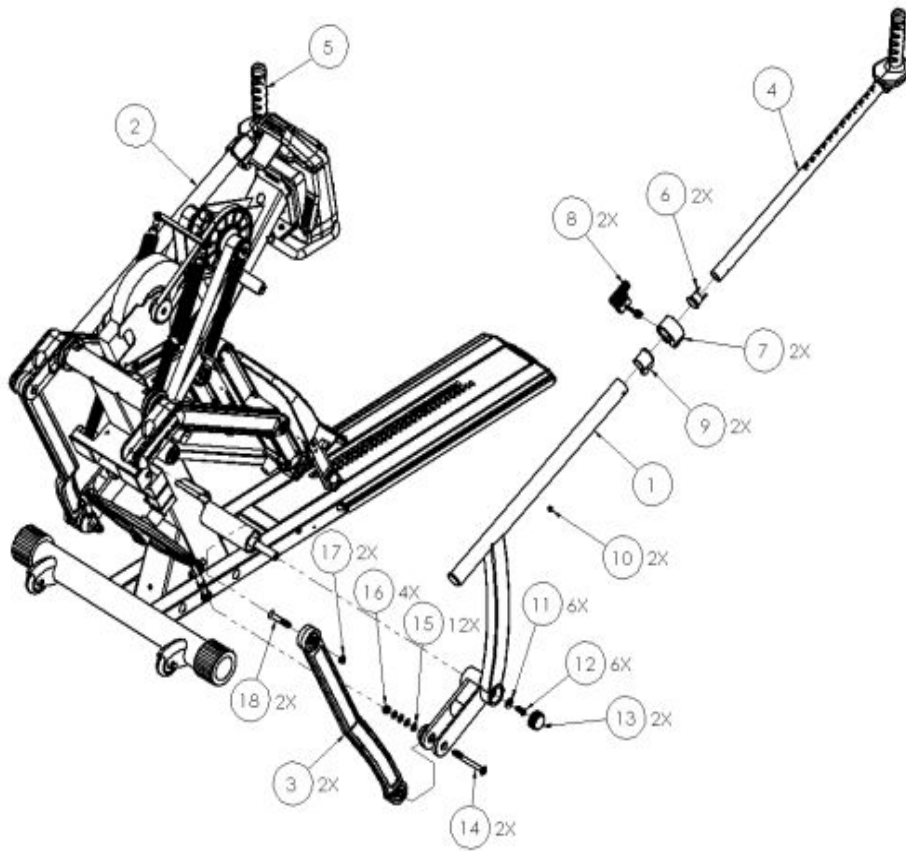
2/6/2024 1:50:06 AM



Table of Contents

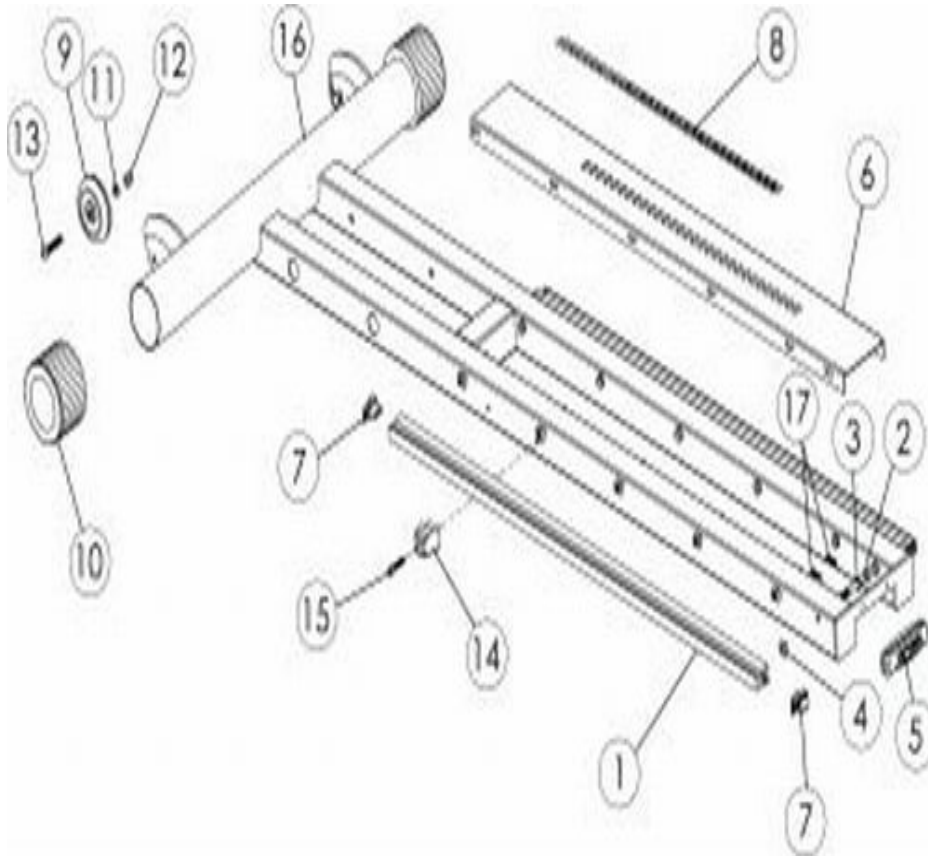
[Arm Handle Assembly](#).....3
[Base Frame Assembly Post 4/2017](#).....4
[Base Frame Assembly Pre 4/2017](#).....5
[Brackets Assembly](#).....6
[Cover Assembly](#).....7
[Drive System](#).....8
[Pedal Arm Links](#).....9
[Pivot Link Assembly](#).....11
[Seat, Bariatric - 151-001651 to CURRENT](#).....12
[Seat, Fixed Bucket PRO - 151-000001 to 151-001650](#).....13
[Wiring Diagram](#).....14

Arm Handle Assembly



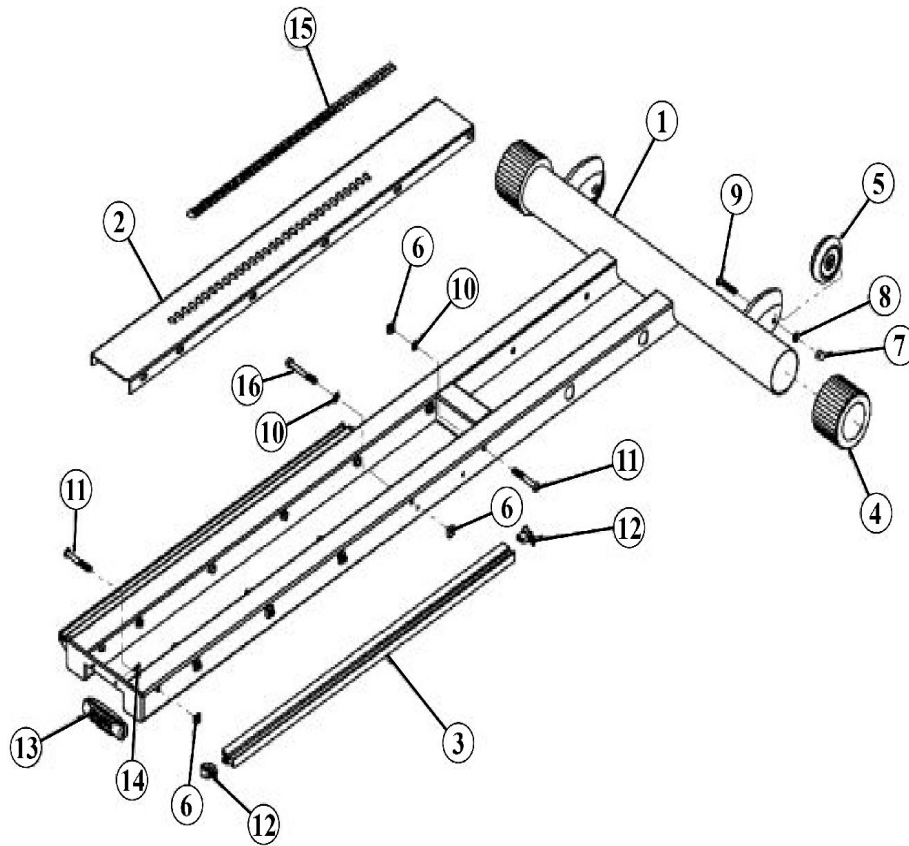
| Ref # | Part Number | Qty | Description |
|-------|-------------|-----|-----------------------------------|
| 1 | A5433 | 2 | ASSY OUTER HANDLE LH STEP1 |
| 2 | A5434 | 2 | ASSY OUTER HANDLE RH STEP1 |
| 3 | A5352 | 4 | ASSY LINK BLADE DRIVE STEP1 |
| 4 | A5171 | 2 | ASSY HANDLE LH OVERMOLD STEP 1 |
| 5 | A5170 | 2 | ASSY HANDLE RH OVERMOLD STEP 1 |
| 6 | A5134 | 4 | PLUG HANDLEBAR INNER STEP 1 |
| 7 | A5136 | 4 | CLAMP HANDLEBAR STEP 1 |
| 8 | A5624 | 4 | Assy Clamp. handle StepOne |
| 9 | S5854 | 2 | Kit Handlebar Sleeve 1 pr Step |
| 10 | 25903 | 2 | 3/8"-24 x 1/2" Blk FDP SS |
| 11 | 33815 | 12 | 3/8" Yllw Zinc Hardened F/W |
| 12 | 94092 | 12 | BHSC 3/8-16 X 1 |
| 13 | A5435 | 4 | Cap Casting Outer Handle St |
| 14 | 10537-08048 | 4 | FHSC 7/16-14MM X 4. |
| 15 | 10537-03641 | 16 | WASHER .75 OD X .45 ID X .063 THK |
| 16 | 37027 | 8 | NUT:7/16"-14 Zinc Nylon Lock Nut |
| 17 | 36208 | 4 | 7/16-14 JAM NUT |
| 18 | 94333 | 4 | FHSC 7/16-14 X 2 3/4 inch |

Base Frame Assembly Post 4/2017



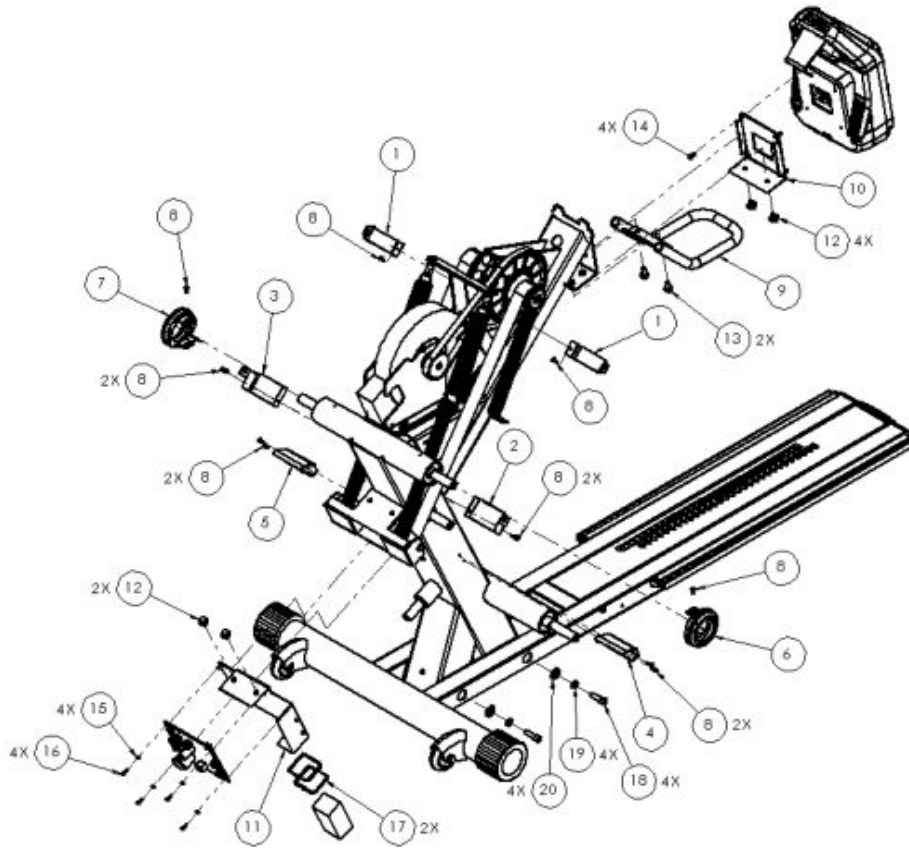
| Ref # | Part Number | Qty | Description |
|-------|-------------|-----|------------------------------------|
| 1 | A3299 | 4 | Extrusion Rail Roller 37.5" PR |
| 2 | 13064 | 24 | 5/16"-18 x 2-3/4" Zinc HCS |
| 3 | 33712 | 24 | 5/16" Zinc Internal Tooth L/W |
| 4 | 37622 | 24 | 5/16"-18 Zinc Square Nut |
| 5 | A5449 | 2 | HANDLE LIFT STEP 1 |
| 6 | A6507 | 2 | KIT: PAN, STAINLESS, 30 HOLE |
| 7 | A5215 | 8 | Endcap Cover Extrusion Rail |
| 8 | A6766 | 2 | KIT: DECAL SEAT ADJUSTMEN, 30 HOLE |
| 9 | P2144 | 4 | Wheel Front PRO II |
| 10 | A1890 | 4 | Cap Base 3" Adj. 65 Durometer |
| 11 | 33892 | 4 | 5/16" Yellow Zinc Split L/W |
| 12 | 70961 | 4 | 5/16"-18 Stnlss Stl Acorn Nut |
| 13 | 73783 | 4 | 5/16"-18 x 1-3/4" Stnlss BSCS |
| 14 | A6506 | 4 | KIT: BUMPER, SEAT STOP, COMPLIANCE |
| 15 | 23807 | 4 | SCR: SCREW, 1/4"-28 x 1-1/4" SCH |
| 16 | A5028 | 2 | ASSY WLDMNT BASE STEP 1 |
| 17 | 23166 | 4 | 10-32 x 3/4" Blk Oxd SCS |
| - | A6999 | 2 | ASSY, BASE FRAME, STEP1/LATITUDE |

Base Frame Assembly Pre 4/2017



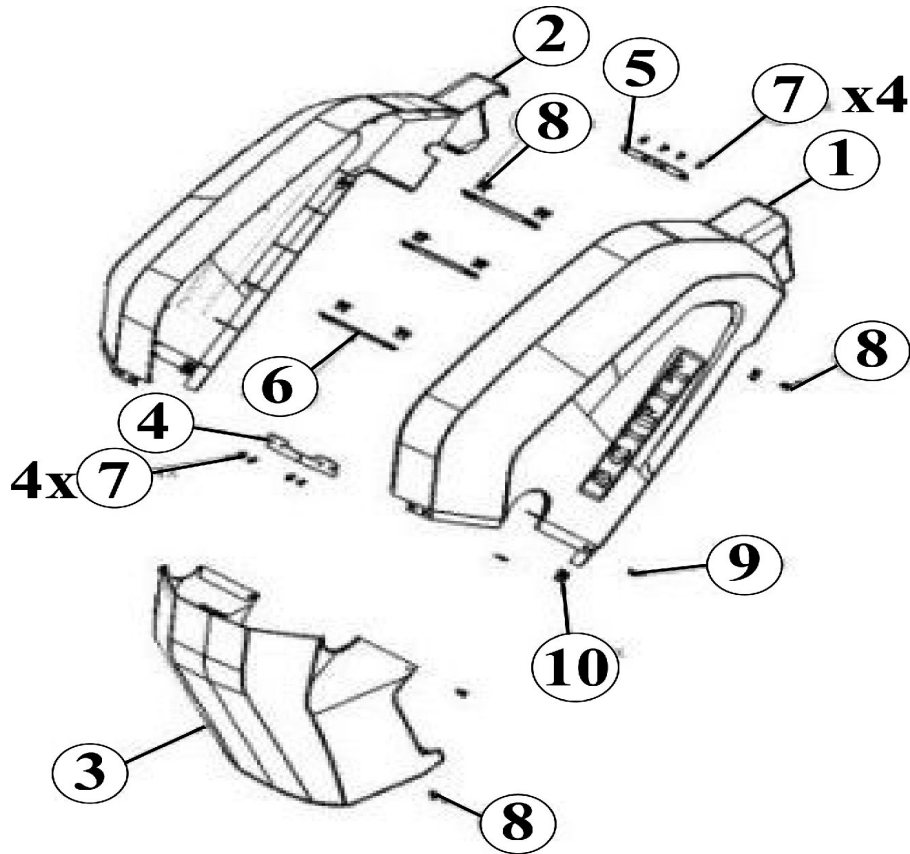
| Ref # | Part Number | Qty | Description |
|-------|-------------|-----|------------------------------------|
| 1 | A5028 | 2 | ASSY WLDMNT BASE STEP 1 |
| 2 | A6507 | 2 | KIT:PAN, STAINLESS, 30 HOLE |
| 3 | A5062 | 4 | EXTRUSION RAIL ROLLER 31" |
| 4 | A1890 | 4 | Cap Base 3" Adj. 65 Durometer |
| 5 | P2144 | 4 | Wheel Front PRO II |
| 6 | 37622 | 24 | 5/16"-18 Zinc Square Nut |
| 7 | 70961 | 4 | 5/16"-18 Stnlss Stl Acorn Nut |
| 8 | 33892 | 4 | 5/16" Yellow Zinc Split L/W |
| 9 | 73783 | 4 | 5/16"-18 x 1-3/4" Stnlss BSCS |
| 10 | 33712 | 20 | 5/16" Zinc Internal Tooth L/W |
| 11 | 0171292 | 8 | KIT:5/16"-18 x 2-1/2" Stnlss BSCS |
| 12 | A5215 | 8 | Endcap Cover Extrusion Rail |
| 13 | A5449 | 2 | HANDLE LIFT STEP 1 |
| 14 | 0142859 | 4 | KIT:6 X 5/8 ZINC PHLLPS PH PLSTC S |
| 15 | P1982 | 2 | Decal Number 1" Spacing 1- 20 |
| 16 | 13064 | 16 | 5/16"-18 x 2-3/4" Zinc HCS |

Brackets Assembly



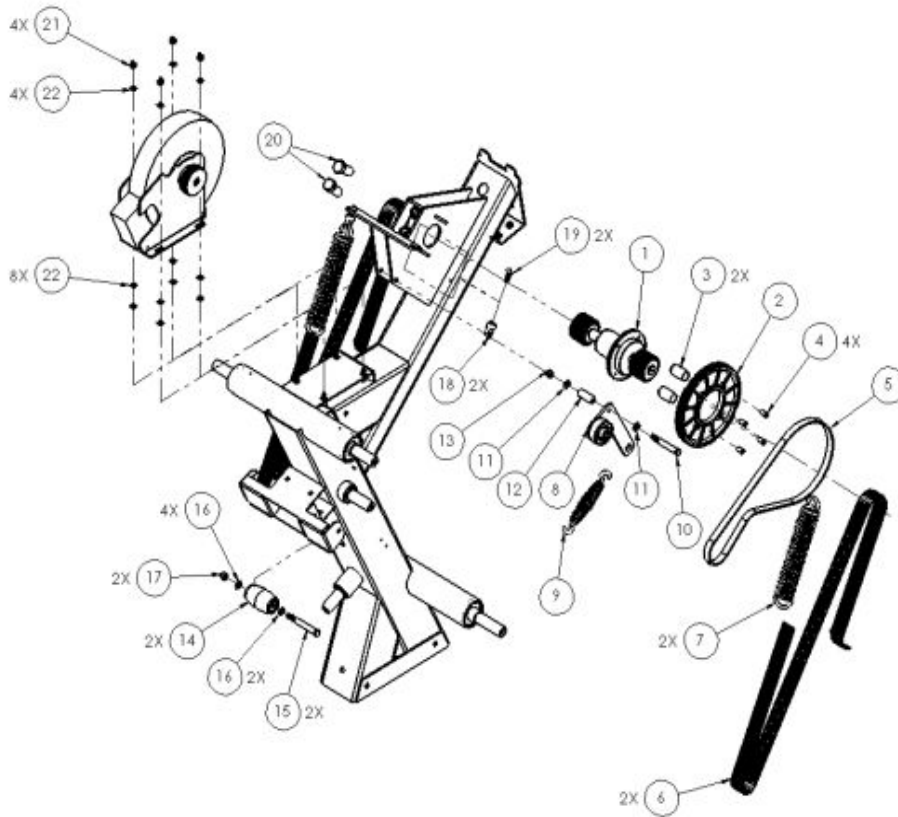
| Ref # | Part Number | Qty | Description |
|-------|-------------|-----|---------------------------------------|
| 1 | A5140 | 4 | BRACKET ENCL UPPR STEP 1 |
| 2 | A5141 | 2 | BRACKET ENCL MID LH STEP 1 |
| 3 | A5142 | 2 | BRACKET ENCL MID RH STEP 1 |
| 4 | A5578 | 2 | ASSY ECL. BRKT LWR LH STEP 1 |
| 5 | A5577 | 2 | ASSY ECL. BRKT LWR RH STEP 1 |
| 6 | A5652 | 2 | Assy, Trim, Left, StepOne |
| 7 | A5653 | 2 | Assy, Trim, Right, StepOne |
| 8 | 32316 | 24 | SCR:#8-32 x 1/2" Zinc Philips PHTCS |
| 9 | A5469 | 2 | ASSY ASSIST HANDLE STEP 1 |
| 10 | A5044 | 2 | BRACKET MOUNT DSPLY STEP 1 |
| 11 | A5133 | 2 | BRACKET MOUNT PCBA STEP 1 |
| 12 | 19651 | 4 | 5/16-18 x 1/2 Zinc FB |
| 13 | 19653 | 4 | 5/16"-18 x 3/4" Flange head hex cap |
| 14 | 10537-09060 | 8 | Screw M5 x 12mm Phil Black Zinc |
| 15 | 33733 | 8 | 6 Zinc Finish Ext Tooth L/W |
| 16 | 28804 | 8 | SCREW 6/32 X 1/2 PHILLIPS HD MACHINE |
| 17 | 63127 | 4 | 11" Cable Tie |
| 18 | 23307 | 8 | SCR:SCREW, 3/8"-16 X 1-1/4" BLK SCS |
| 19 | 33893 | 8 | 3/8" Yllw Zinc Split L/W |
| 20 | 33008 | 8 | WASHER FLAT 3/8 ID X 3/4 OD X .06 THK |

Cover Assembly



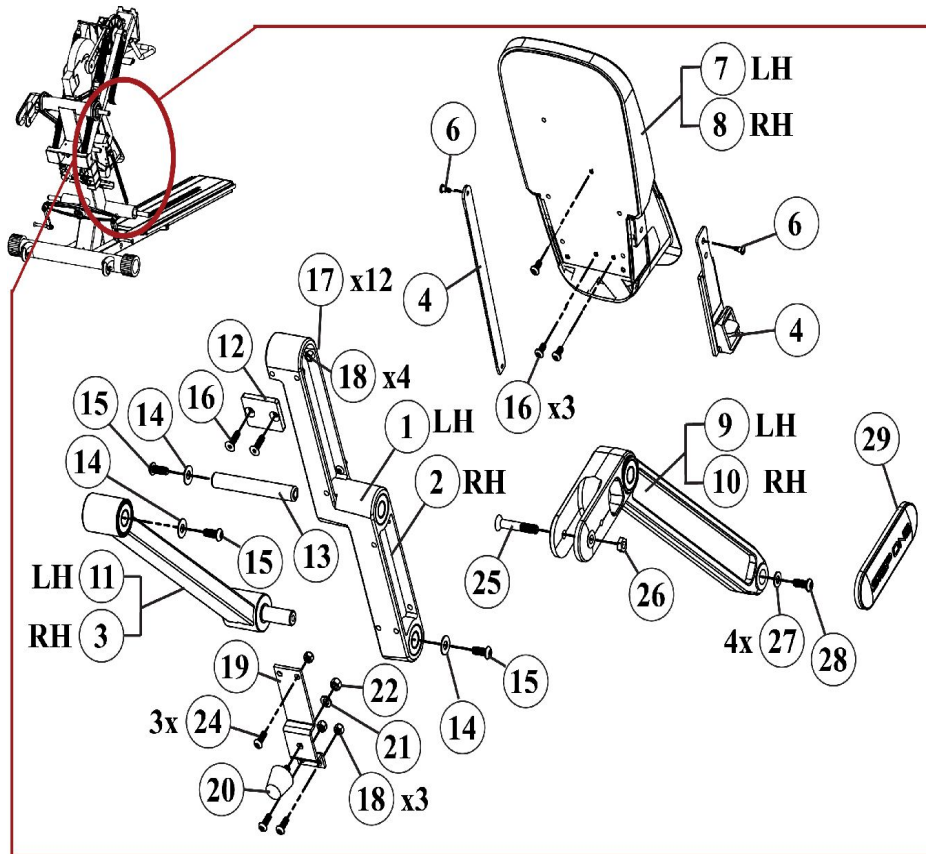
| Ref # | Part Number | Qty | Description |
|-------|-------------|-----|-------------------------------------|
| 1 | A5625 | 2 | Assy Enclosure LH Top StepOne |
| 2 | A5626 | 2 | Assy Enclosure RH Top StepOne |
| 3 | A5032 | 2 | ENCLOSURE BOTTOM STEP 1 |
| 4 | A5162 | 2 | BRACKET ENCLOSURE FRONT STEP 1 |
| 5 | A5161 | 2 | BRACKET ENCLOSURE REAR STEP 1 |
| 6 | A5167 | 6 | BRACKET ENCLOSURE TIE STEP 1 |
| 7,9 | 29467 | 20 | 10-24 x 1/2" Zinc Philips FHMS |
| 8 | 28957 | 36 | 10-32 x 1/2" Zinc PPHMS |
| 10 | 0142866 | 16 | KIT:6 x 2 Zinc Philips PH Plstc Scr |

Drive System



| Ref # | Part Number | Qty | Description |
|-------|-------------|-----|---------------------------------------------------|
| 1 | A4068 | 2 | ASSY AXLE HUB W/ROLLER CLUTC |
| 2 | A5165 | 2 | PULLEY LARGE POLY V STEP 1 |
| 3 | A5185 | 4 | ROLL PIN ALIGNING TC/STEP 1 |
| 4 | 0141378 | 8 | M5-0.80 x 18mm Zinc FHSCS |
| 5 | P5166 | 2 | BELT DRIVE SECONDARY POLY-V |
| 6 | A5164 | 4 | ASSY BELT DRIVE PRIMARY STEP 1 |
| 7 | A5458 | 4 | Spring Tension Pedal Belt Step |
| 8 | A5620 | 2 | Assy Idler StepOne |
| 9 | P4329 | 2 | Spring Belt Tension Bracket TC |
| 10 | 13065 | 2 | SCR:5/16"-18 x 3" Zinc HCS JT TEST |
| 11 | 33080 | 4 | 5/16" Zinc F/W |
| 12 | A5845 | 2 | Spacer Idler Bolt StepOne |
| 13 | 37021 | 2 | NUT NYLOCK 5/16-18 |
| 14 | S7200 | 2 | KIT:STEP1, PEDAL BELT ROLLERS W/HW |
| 15 | 38628 | 4 | SCR:M8-1.25 x 90mm Zinc CS |
| 16 | 40357 | 8 | M8 Zinc F/W |
| 17 | 40163 | 4 | M8-1.25 DIN 985 Zinc Plated Nylon Insert Lock Nut |
| 18 | A4768 | 4 | LINK SPRING RETURN TC1000/1 |
| 19 | 39917 | 4 | SCREW M8-1.25 x 20MM SOCKET BUTTON HD |
| 20 | 11114268 | 4 | SCR:M16-1.5 x 55mm Zinc CS |
| 21 | 37018 | 8 | NUT NYLOCK 1/4-20 ZINC |
| 22 | 40355 | 24 | Washer Flat M6 Zinc |

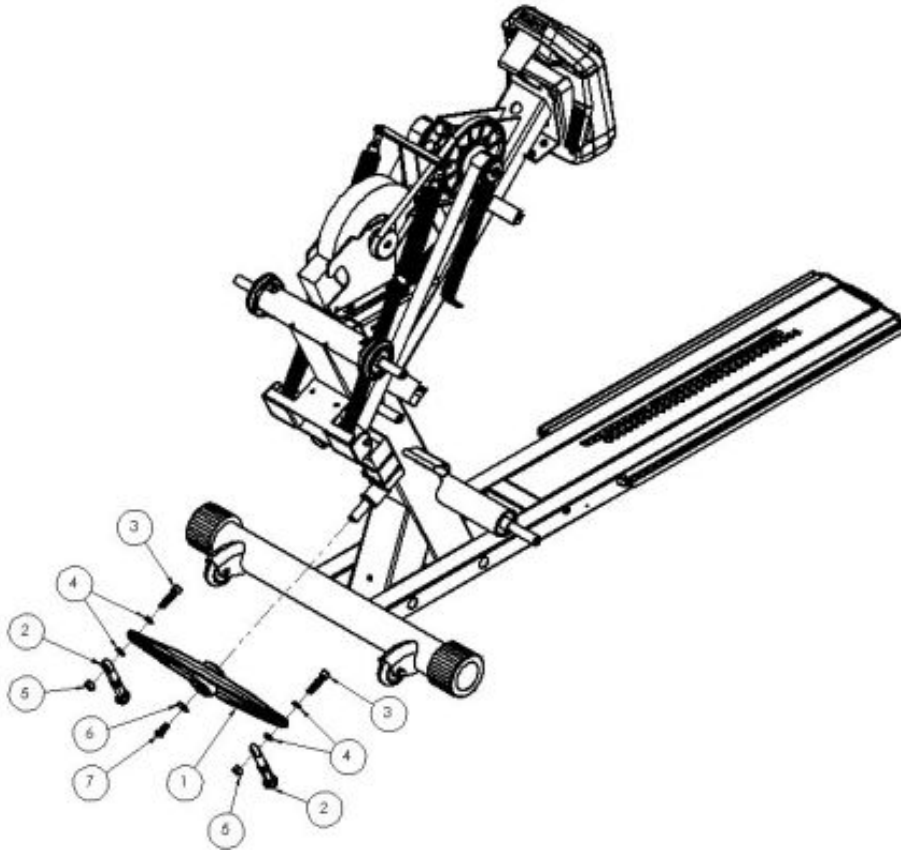
Pedal Arm Links



| Ref # | Part Number | Qty | Description |
|-------|-------------|-----|--------------------------------------------|
| 1, 2 | A5356 | 2 | ASSY ARM PEDAL STEP1 |
| 3 | A5395 | 4 | ASSY LINK PEDAL FRAME RH STEP1 |
| 4 | S6751 | 4 | SCIFIT FOOT STRAP KIT LATITUDE AND STEPONE |
| 6 | 11103519 | 8 | 10-24 x 5/16" Zinc TH Mating |
| 7 | A5390 | 2 | ASSY FOOTPAD LH STEP1 |
| 8 | A5391 | 2 | ASSY FOOTPAD RH STEP1 |
| 9 | A5354 | 2 | ASSY LINK PEDAL DRIVE LH STEP1 |
| 10 | A5355 | 2 | ASSY LINK PEDAL DRIVE RH STEP1 |
| 11 | A5394 | 4 | ASSY LINK PEDAL FRAME LH STEP1 |
| 12 | A5130 | 4 | CLAMP BELT DRIVE PRIMARY STEP 1 |
| 13 | A5419 | 4 | Pedal Link Bolt Step1 |
| 14 | 10537-08102 | 12 | 3/8 USS FW BLACK |
| 15 | 10537-08099 | 12 | 3/8-16 X 1 BSCS BLACK |
| 16 | 10537-08101 | 8 | 5/16"-18 x 1-1/8" Blk Zinc FSCS |
| 17 | 10537-08098 | 24 | 5/16"-18 x 5/8" Blk Zinc BSCS |
| 18 | 10537-08103 | 28 | 5/16"-18 Blk Zinc Lock Nut |
| 19 | A6065 | 4 | Bracket Bumper Lower Step 1 |
| 20 | P2722 | 4 | Stop Bump RST7000 |
| 21 | 33893 | 4 | 3/8" Yllw Zinc Split L/W |
| 22 | 36106 | 4 | 3/8"-16 Zinc Hex Nut |
| 24 | 10537-08842 | 12 | Screw, 5/16-18 x 7/8 inch, BHBZ |
| 25 | 94333 | 4 | FHSC 7/16-14 X 2 3/4 inch |

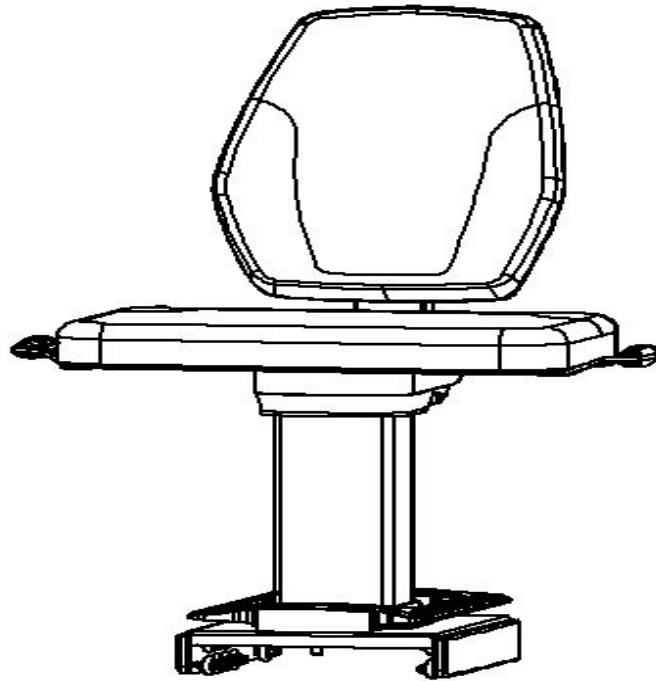
| Ref # | Part Number | Qty | Description |
|--------------|--------------------|------------|-----------------------------|
| 26 | 36208 | 4 | 7/16-14 JAM NUT |
| 27 | 33815 | 8 | 3/8" Yllw Zinc Hardened F/W |
| 28 | 94092 | 8 | BHSC 3/8-16 X 1 |
| 29 | A5027 | 4 | PLATE LOGO LINK STEP 1 |

Pivot Link Assembly



| Ref # | Part Number | Qty | Description |
|-------|-------------|-----|-----------------------------------|
| 1 | A5353 | 2 | ASSY PIVOT BLADE STEP1 |
| 2 | A5474 | 4 | ASSY LINK PIVOT STEP ONE |
| 3 | 10537-08100 | 4 | 7/16-14 X 1 3/4 SHCS BLACK |
| 4 | 10537-03641 | 8 | WASHER .75 OD X .45 ID X .063 THK |
| 5 | 37027 | 4 | NUT:7/16"-14 Zinc Nylon Lock Nut |
| 6 | 10537-08102 | 10 | 3/8 USS FW BLACK |
| 7 | 10537-08099 | 10 | 3/8-16 X 1 BSCS BLACK |

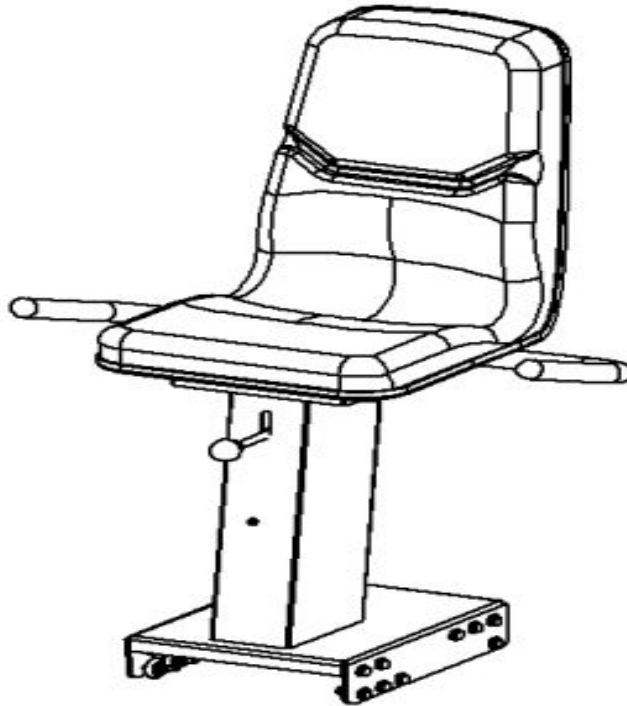
Seat, Bariatric - 151-001651 to CURRENT



PLEASE SEE: BARI-SEAT-01

| Ref # | Part Number | Qty | Description |
|-------|--------------|-----|-----------------------|
| - | BARI-SEAT-01 | 2 | SCIFIT BARIATRIC SEAT |

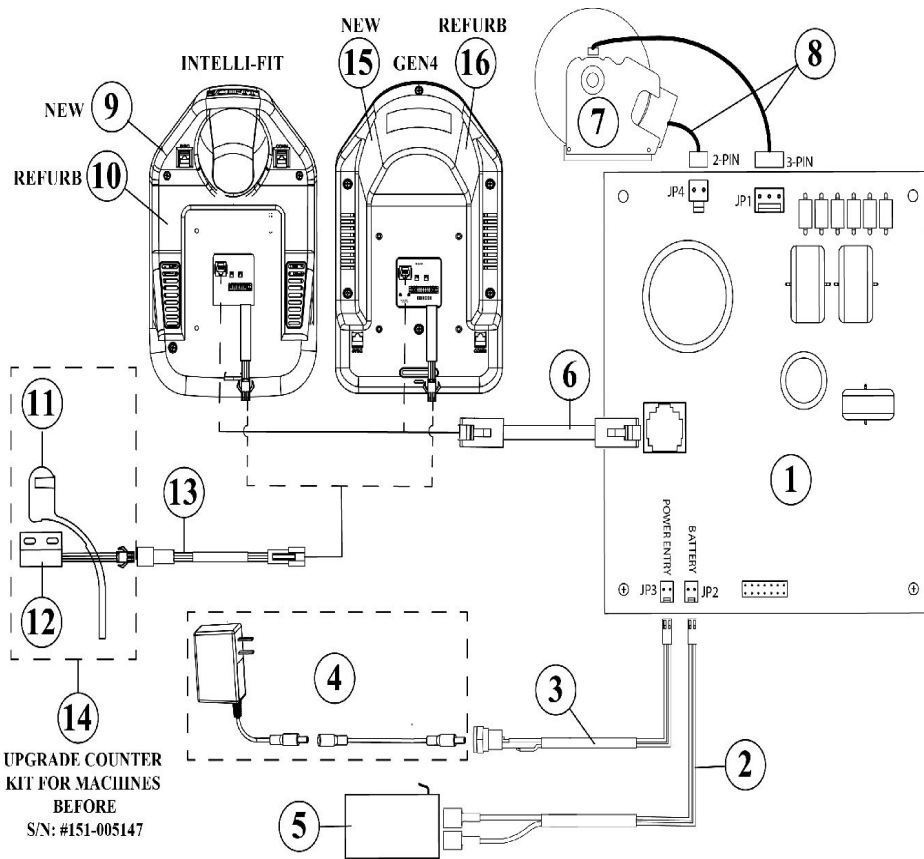
Seat, Fixed Bucket PRO - 151-000001 to 151-001650



PLEASE SEE: S3585-CH

| Ref # | Part Number | Qty | Description |
|-------|-------------|-----|----------------------------------|
| - | S3585-CH | 2 | SCIFIT PRO BARIATRIC BUCKET SEAT |

Wiring Diagram



| Ref # | Part Number | Qty | Description |
|-------|----------------|-----|----------------------------------------------------|
| 1 | A5361 | 2 | Kit A5005 W/Mounting Bracket |
| 2 | P1833 | 2 | Cable Battery Cordless |
| 3 | A5405 | 2 | Cable Power Entry StepOne |
| 4 | CORD-NT-DOM-LV | 2 | LINE CORD DOMESTIC |
| 5 | P1564 | 2 | Battery Rechargeable Cordless |
| 6 | P4742 | 2 | Cable Comm 63" Intelli ISO1000R/7000R & SXT |
| 7 | S3611 | 2 | KIT BRAKE CORDLESS PRO W/O BRA |
| 8 | S4454 | 2 | CABLES IND. BRAKE 3 & 2 PIN |
| 9 | LCD-EN-01 | 4 | NC Kit SCIFIT LCD Wireless Console W/Hardware |
| 10 | LCD-EN-01R | 2 | NC ASSY, CONSOLE, REFUB, LCD, TS, ROTARY, WIRELESS |
| 11 | A6785 | 2 | STEP COUNTER MAGNET HOLDER, STEP1 |
| 12 | A5410 | 2 | Assy Switch Magnet StepOne |
| 13 | A5409 | 2 | Cable Step Counter MID StepOne |
| 14 | S6791 | 2 | Assy, Upgrade, StepOne Counter |
| 15 | LCD-EN-02 | 2 | SCIFIT Console GEN4 Rotary |
| 16 | LCD-EN-02R | 2 | SCIFIT Console GEN4 Rotary |

