

EXPLORE CONSOLE

EXPTS-XXXXX-XX, EXPNTS-XXXXX-XX

PARTS MANUAL



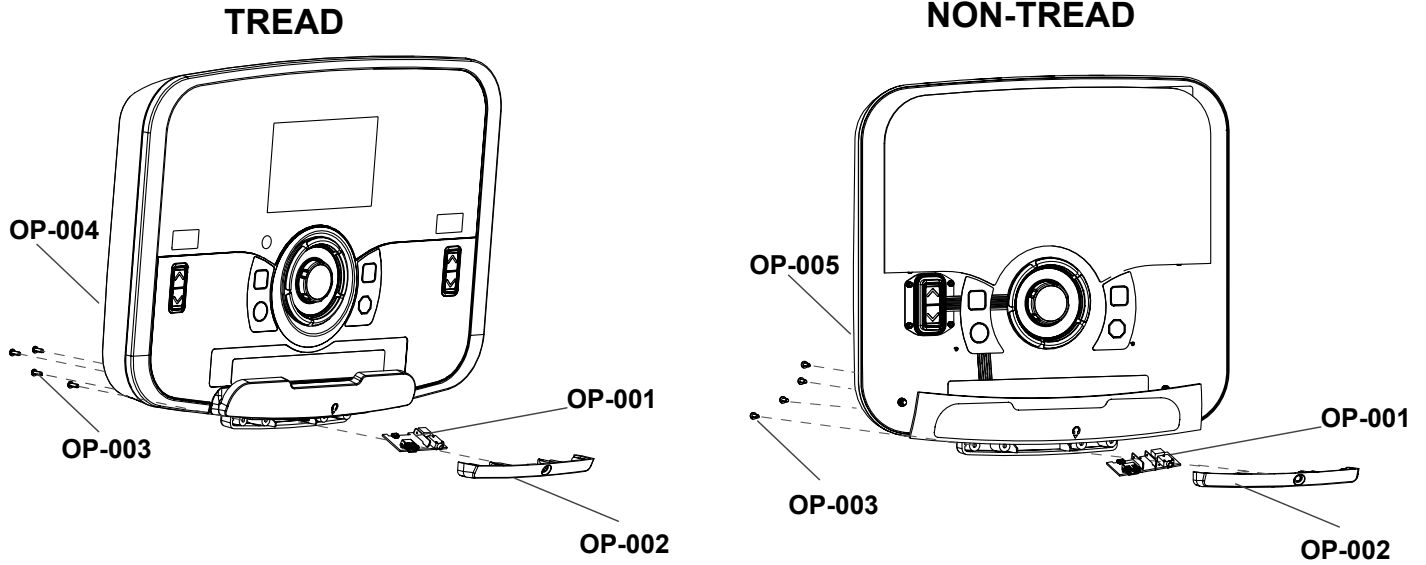
Table of Contents

Console Serial Number Table	3
Option Panel	4
Chassis Assembly - Tread	5
Chassis Assembly - Non-Tread	6
Front Bezel Assembly - Tread	7
Front Bezel Assembly - Non-Tread	9
Rear Bezel Assembly	11
RFID Assembly	12
Cables	13

Console Serial Number Table

Part Number	Alpha Code	Description	Serial Number Range
EXPTS-XWXXX-01	EXT	Explore Console Treadmill WiFi	100001-199999
EXPTS-XWRXX-01	EXT	Explore Console Treadmill WiFi RFID	100001-199999
EXPNTS-XWXXX-01	EXN	Explore Console Non-Treadmill WiFi	100001-199999
EXPNTS-XWRXX-01	EXN	Explore Console Non-Treadmill WiFi RFID	100001-199999

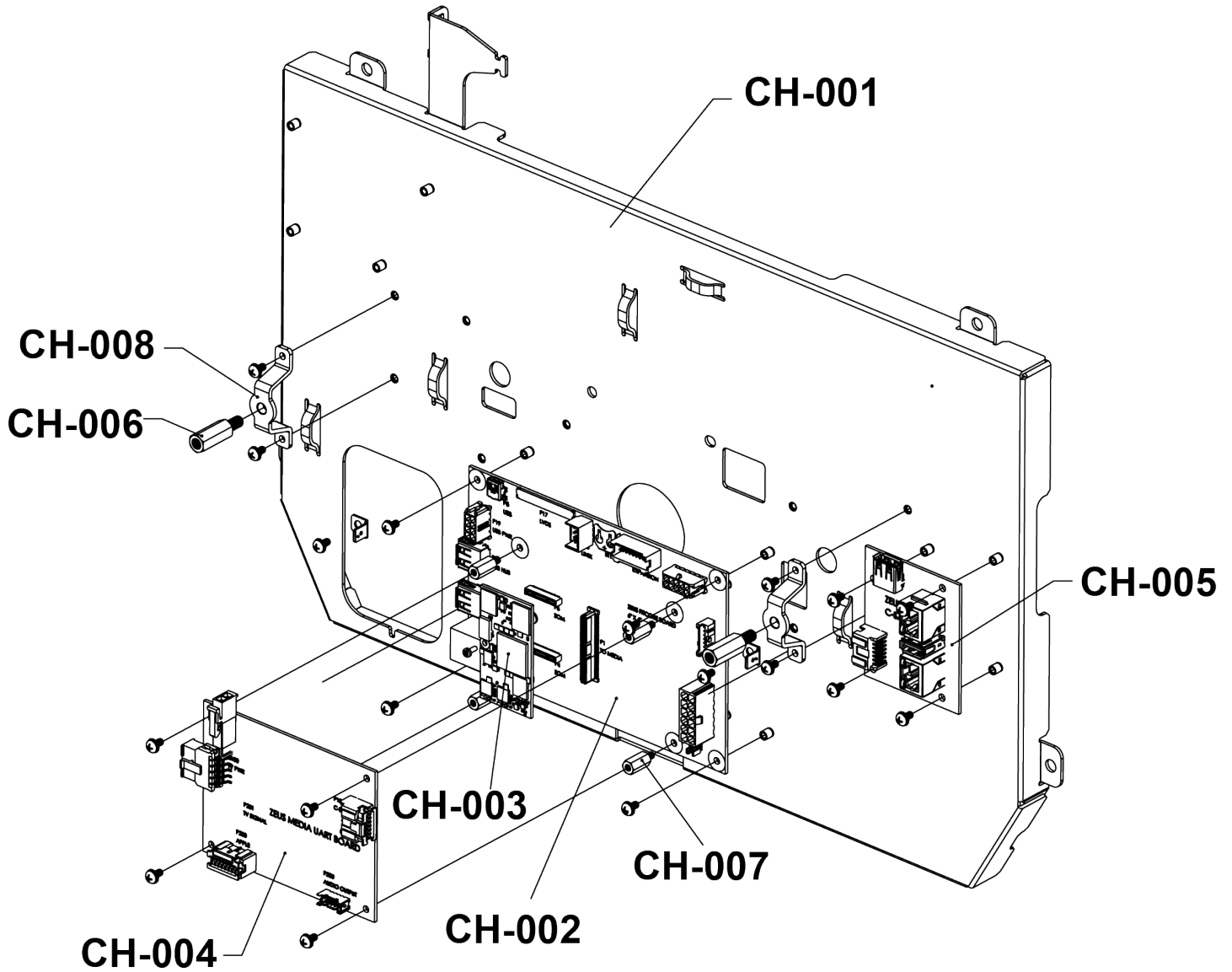
Option Panel



Parts List

Item	Part Number	Item Description	Serial Number Range
OP-001	B084-92391-0002	HEADPHONE BOARD	100001-199999
OP-002	0K99-01039-2400	OPTION PANEL PLASTIC	100001-199999
OP-003	0017-00101-1650	6-19X6 PHILLIPS PAN HEAD SCREW	100001-199999
OP-004	0K99-01040-0000	OVERLAY: WARNING LABEL - EXPLORE CONSOLE TREAD	100001-199999
OP-005	0K99-01041-0000	OVERLAY: WARNING LABEL - EXPLORE CONSOLE NON-TREAD	100001-199999

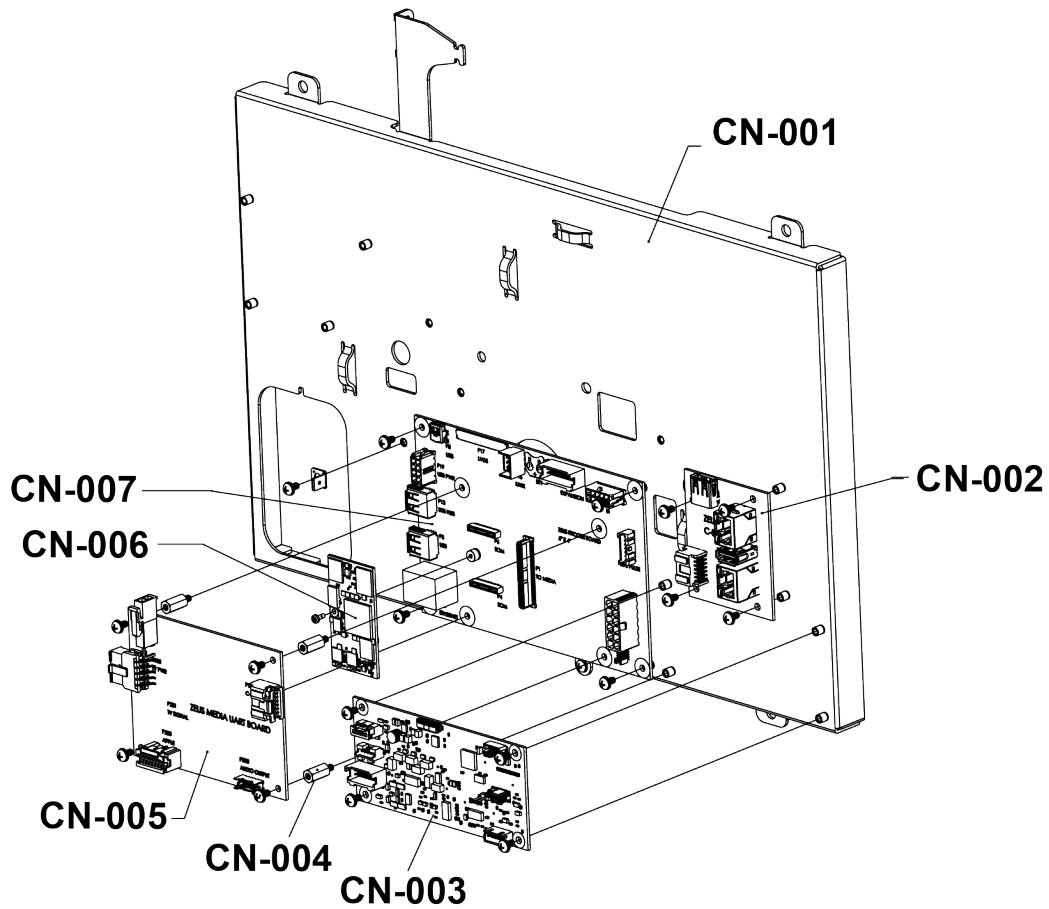
Chassis Assembly - Tread



Parts List

Item	Part Number	Item Description (Qty)	Serial Number Range
CH-001	0K99-01013-0000	CHASSIS: ZEUS TREAD	100001-199999
CH-002	B084-92408-0000	FITCORE BOARD	100001-199999
CH-003	A084-92409-0000	PROGRAMMED PCB: B084-92409-0000 SOM BOARD	100001-199999
CH-004	B084-92411-0000	MEDIA BOARD	100001-199999
CH-005	B084-92413-0000	CSAFE BOARD	100001-199999
CH-006	0017-00009-1356	STANDOFF: MALE-FEMALE THREADED M5X.8X20MM (2)	100001-199999
CH-007	0017-00009-1357	STANDOFF: MALE-FEMALE THREADED M3X.5X12MM (4)	100001-199999
CH-008	0K92-01067-0000	HAT BRACKET; TREAD (2)	100001-199999
CH-009	A084-92423-0000	PROGRAMMED PCB: B084-92423-0000 LIFEPULSE BOARD TREADMILL NOT SHOWN	100001-199999

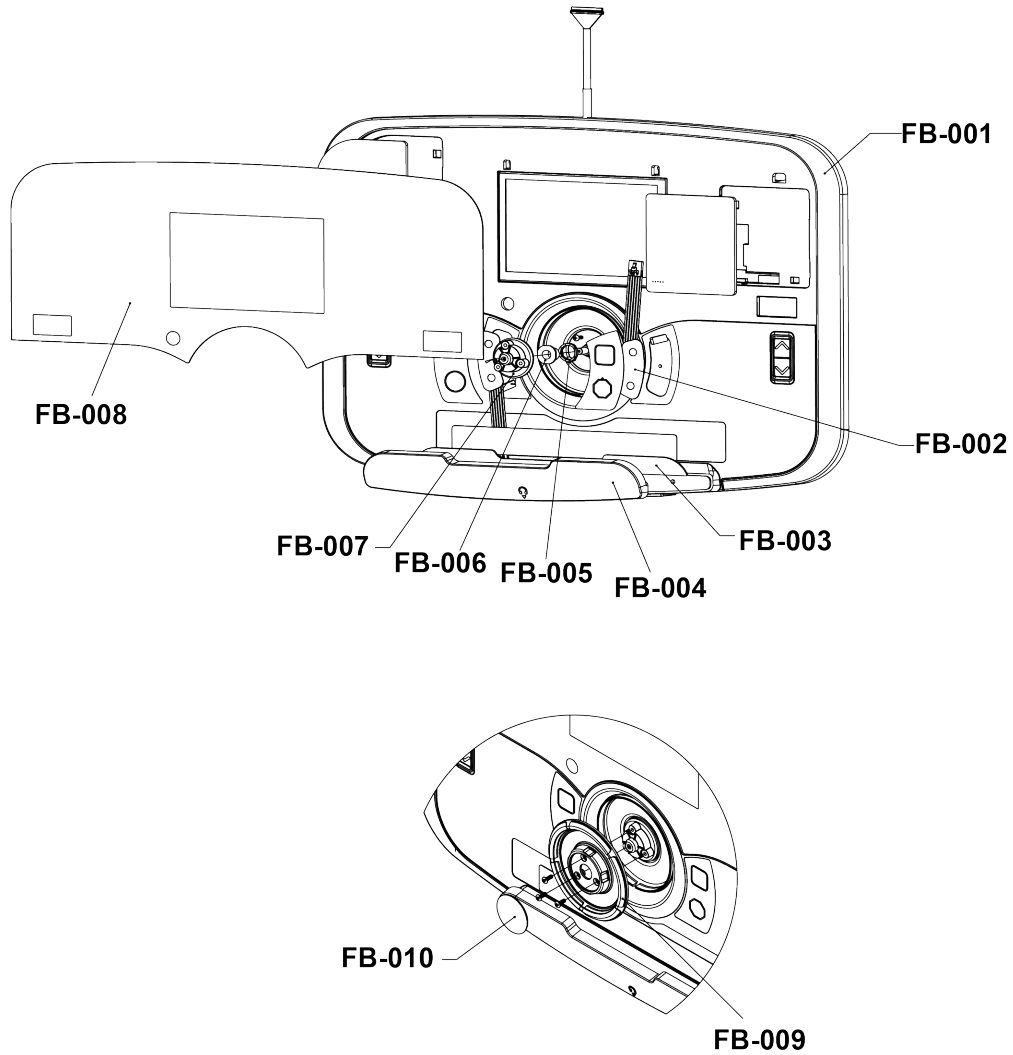
Chassis Assembly - Non-Tread



Parts List

Item	Part Number	Item Description (Qty)	Serial Number Range
CN-001	0K99-01014-0000	CHASSIS: ZEUS NONTREAD	100001-199999
CN-002	B084-92413-0000	CSAFE BOARD	100001-199999
CN-003	A084-92422-0000	PROGRAMMED PCB: B084-92422-0000 LIFE PULSE	100001-199999
CN-004	0017-00009-1357	STANDOFF: MALE-FEMALE THREADED M3X.5X12MM (4)	100001-199999
CN-005	B084-92411-0000	MEDIA BOARD	100001-199999
CN-006	A084-92409-0000	PROGRAMMED PCB: B084-92409-0000 SOM BOARD	100001-199999
CN-007	B084-92408-0000	FITCORE BOARD	100001-199999

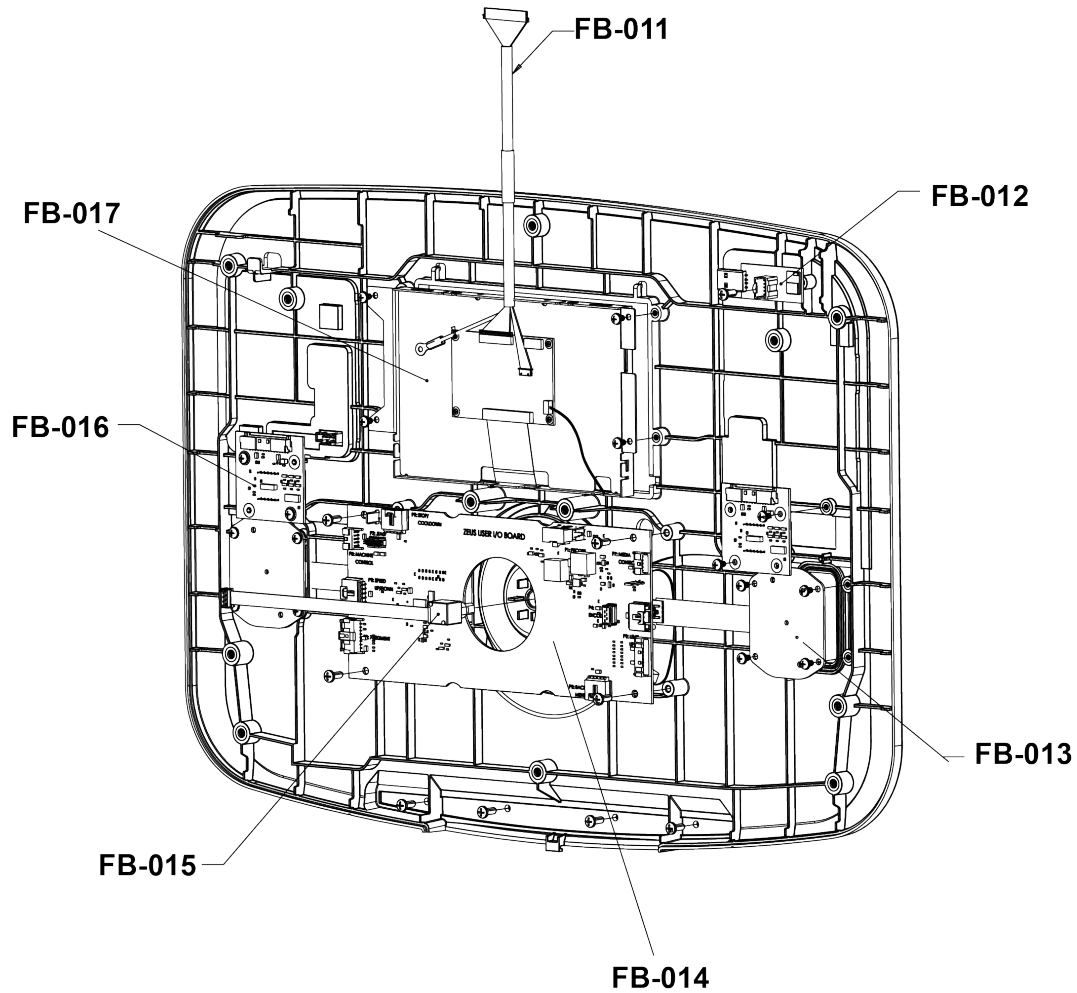
Front Bezel Assembly - Tread



Parts List

Item	Part Number	Item Description (Qty)	Serial Number Range
FB-001	0K99-01016-2400	PLASTIC: FRONT BEZEL - TREAD	100001-199999
FB-002	118E-00001-0308	KEYPAD: ZEUS BACK/STOP	100001-199999
FB-003	0K99-01023-0000	PLASTIC: LEDGE RUBBER INSERT	100001-199999
FB-004	0K99-01019-2400	PLASTIC: LEDGE CONSOLE	100001-199999
FB-005	0K99-01043-0000	SPRING: WAVE	100001-199999
FB-006	0K99-01042-0000	BUSHING: KNOB FLANGE	100001-199999
FB-007	0K99-01028-0000	PLASTIC: KNOB RETAINER	100001-199999
FB-008	0K99-01021-0000	OVERLAY/BEZEL: TOP-TREAD	100001-199999
FB-009	AK99-00009-0000	ASSEMBLY: HEAT STAKED KNOB ASSEMBLY	100001-199999
FB-010	0K99-01027-0000	PLASTIC: KNOB COVER	100001-199999

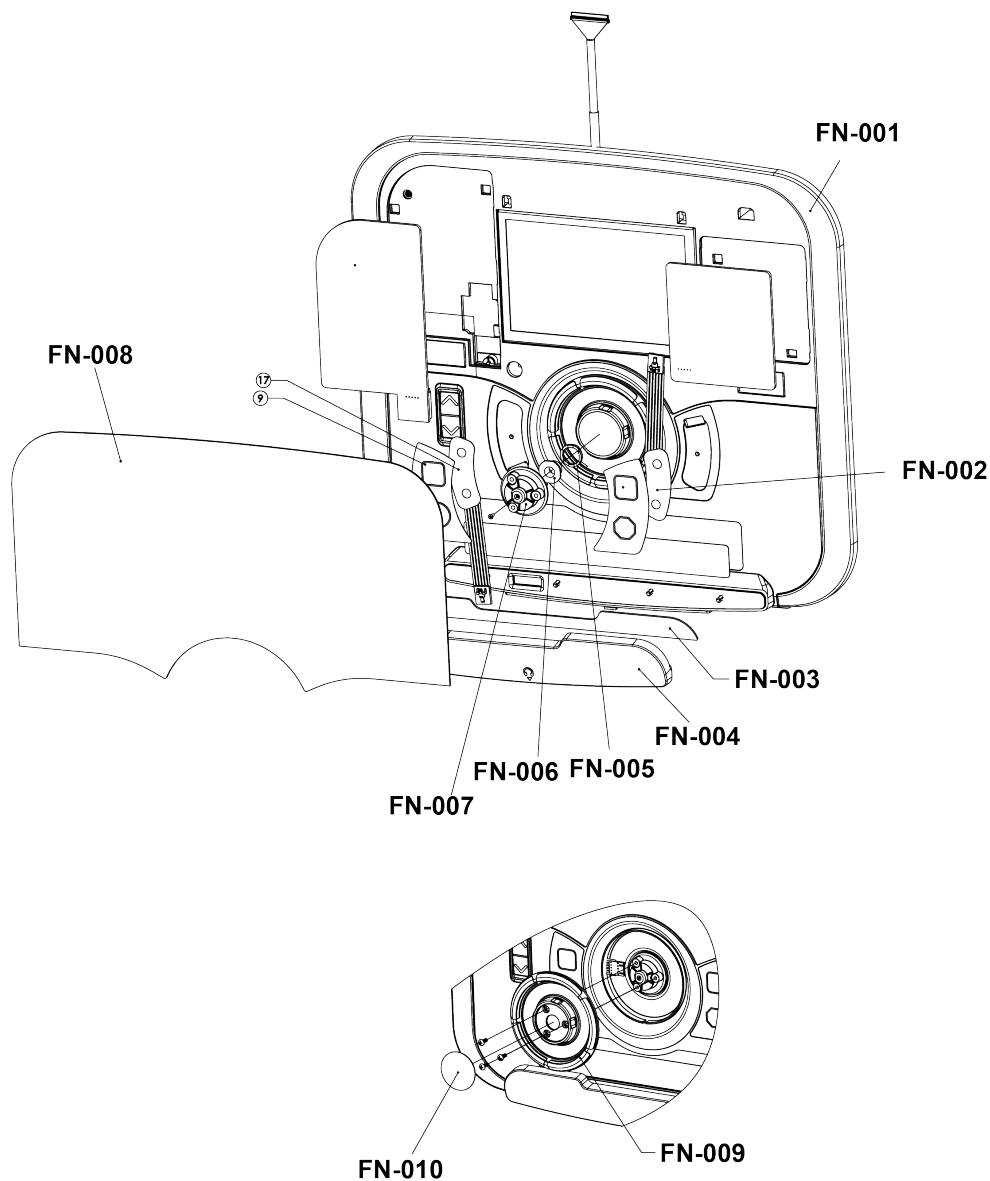
Front Bezel Assembly - Tread (continued)



Parts List

Item	Part Number	Item Description (Qty)	Serial Number Range
FB-011	0K99-01054-0000	CABLE: LVDS	100001-199999
FB-012	B084-92416-0000	PCB ASSY: ZEUS BLUETOOTH - BLE	100001-199999
FB-013	AK99-00002-0000	ASSEMBLY: INCLINE/SPEED KEYPAD (2)	100001-199999
FB-014	A084-92410-0001	PROGRAMMED PCB FOR B084-92410-0001 - USER I/O	100001-199999
FB-015	AK99-00005-0000	ASSEMBLY: OPTICAL ENCODER	100001-199999
FB-016	B084-92412-0000	PCB ASSY: ZEUS 7-SEGMENT LED BOARD (2)	100001-199999
FB-017	AK99-00001-0000	LCD-ASM: PURCH; 7.0"; 800 X 480 W/LED BKLT	100001-199999

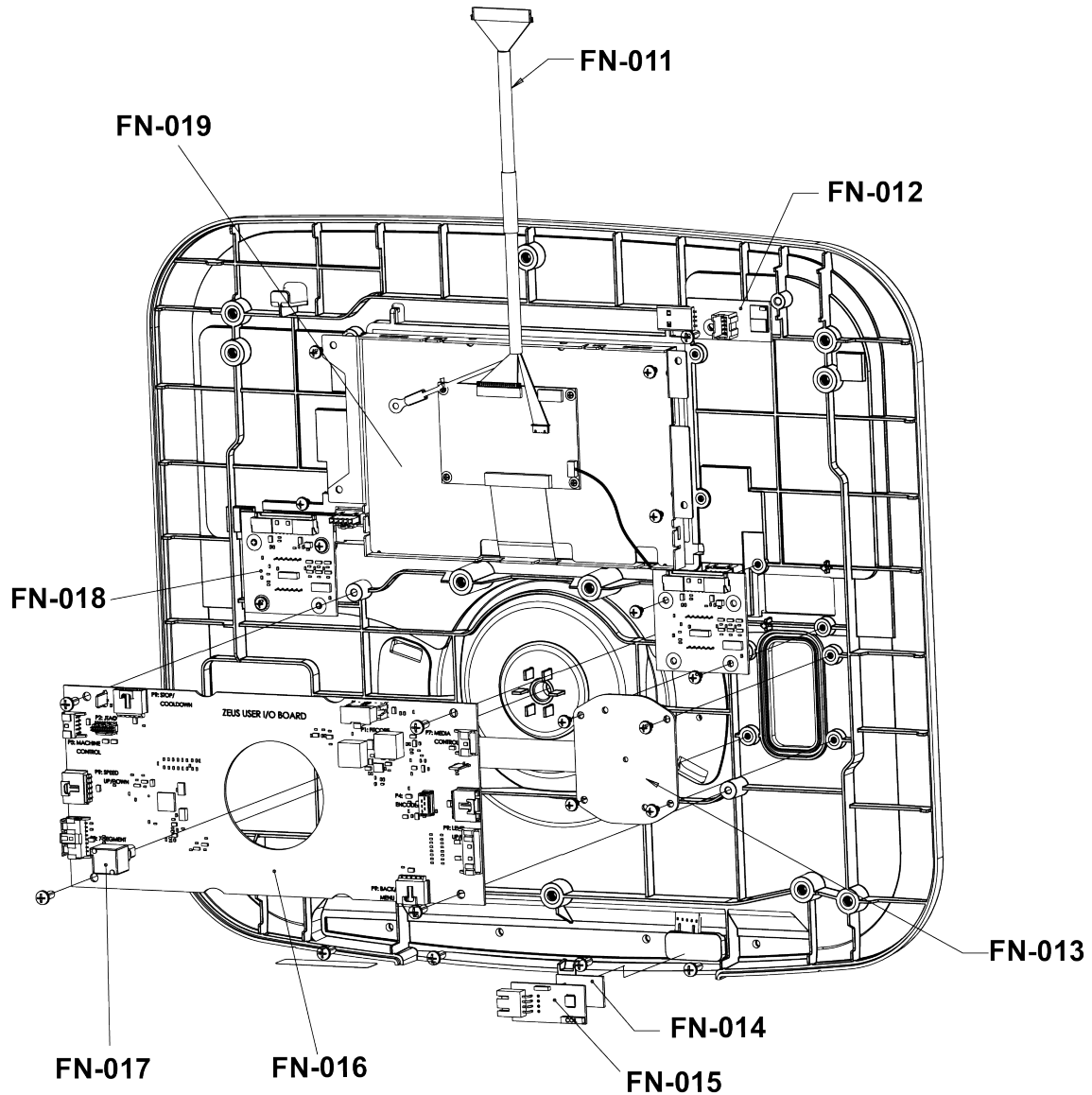
Front Bezel Assembly - Non-Tread



Parts List

Item	Part Number	Item Description (Qty)	Serial Number Range
FN-001	0K99-01030-2400	PLASTIC: FRONT BEZEL - NONTREAD	100001-199999
FN-002	118E-00001-0308	KEYPAD: ZEUS BACK/STOP	100001-199999
FN-003	0K99-01023-0000	PLASTIC: LEDGE RUBBER INSERT	100001-199999
FN-004	0K99-01019-2400	PLASTIC: LEDGE CONSOLE	100001-199999
FN-005	0K99-01043-0000	SPRING: WAVE	100001-199999
FN-006	0K99-01042-0000	BUSHING: KNOB FLANGE	100001-199999
FN-007	0K99-01028-0000	PLASTIC: KNOB RETAINER	100001-199999
FN-008	0K99-01017-0000	OVERLAY/BEZEL: TOP - NONTREAD	100001-199999
FN-009	AK99-00009-0000	ASSEMBLY: HEAT STAKED KNOB ASSEMBLY	100001-199999
FN-010	0K99-01027-0000	PLASTIC: KNOB COVER	100001-199999

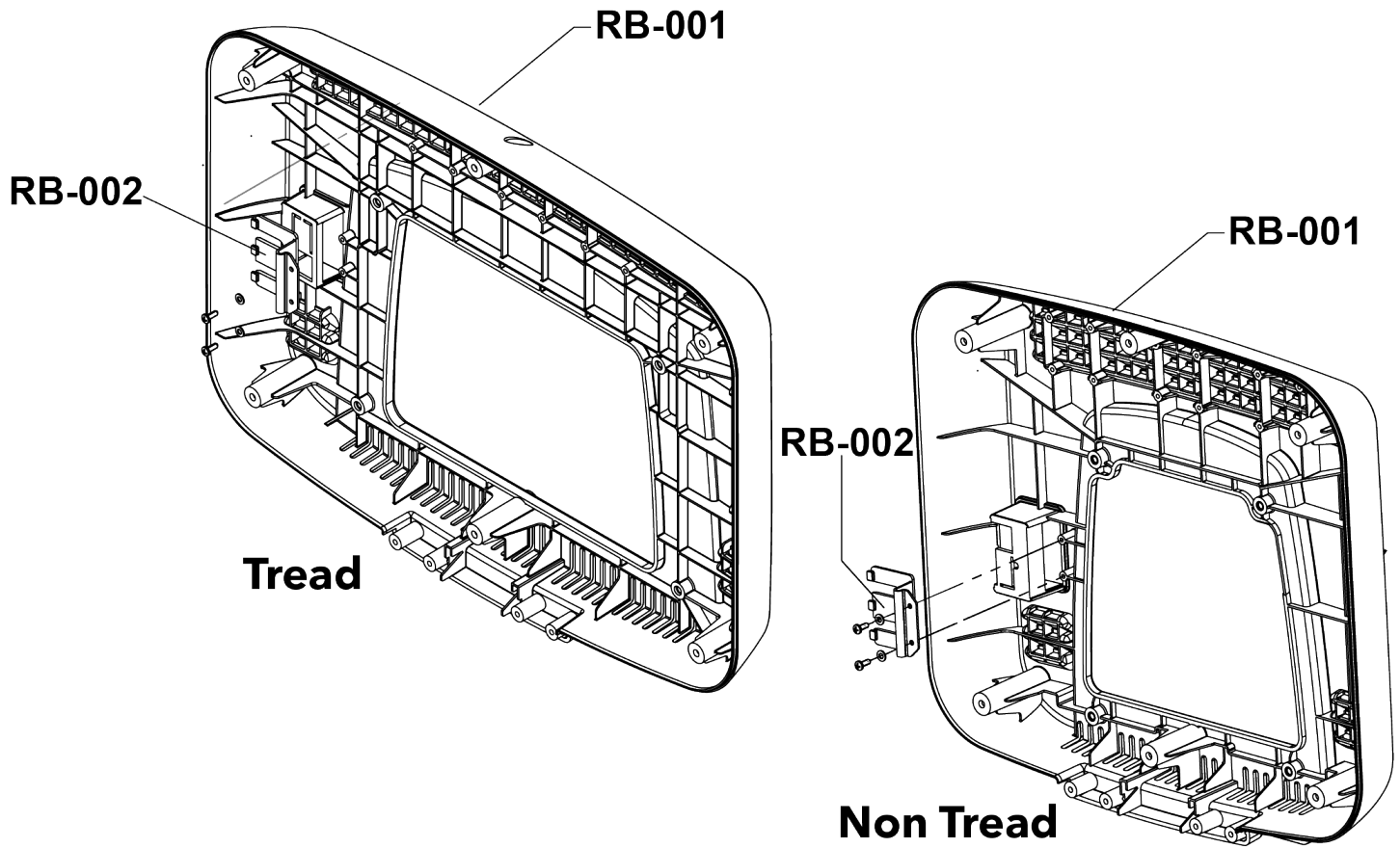
Front Bezel Assembly - Non-Tread (continued)



Parts List

Item	Part Number	Item Description (Qty)	Serial Number Range
FN-011	0K99-01054-0000	CABLE: LVDS	100001-199999
FN-012	B084-92416-0000	PCB ASSY: ZEUS BLUETOOTH - BLE	100001-199999
FN-013	AK99-00002-0000	ASSEMBLY: INCLINE/SPEED KEYPAD (1)	100001-199999
FN-014	0K39-01044-0001	TAPE: ADHESIVE; DBL-SIDED	100001-199999
FN-015	118E-00001-0244	HEART RATE RECEIVER: CODED; RE07L	100001-199999
FN-016	A084-92410-0001	PROGRAMMED PCB FOR B084-92410-0001 - USER I/O	100001-199999
FN-017	AK99-00005-0000	ASSEMBLY: OPTICAL ENCODER	100001-199999
FN-018	B084-92412-0000	PCB ASSY: ZEUS 7-SEGMENT LED BOARD (2)	100001-199999
FN-019	AK99-00001-0000	LCD-ASM: PURCH; 7.0"; 800 X 480 W/LED BKLT	100001-199999

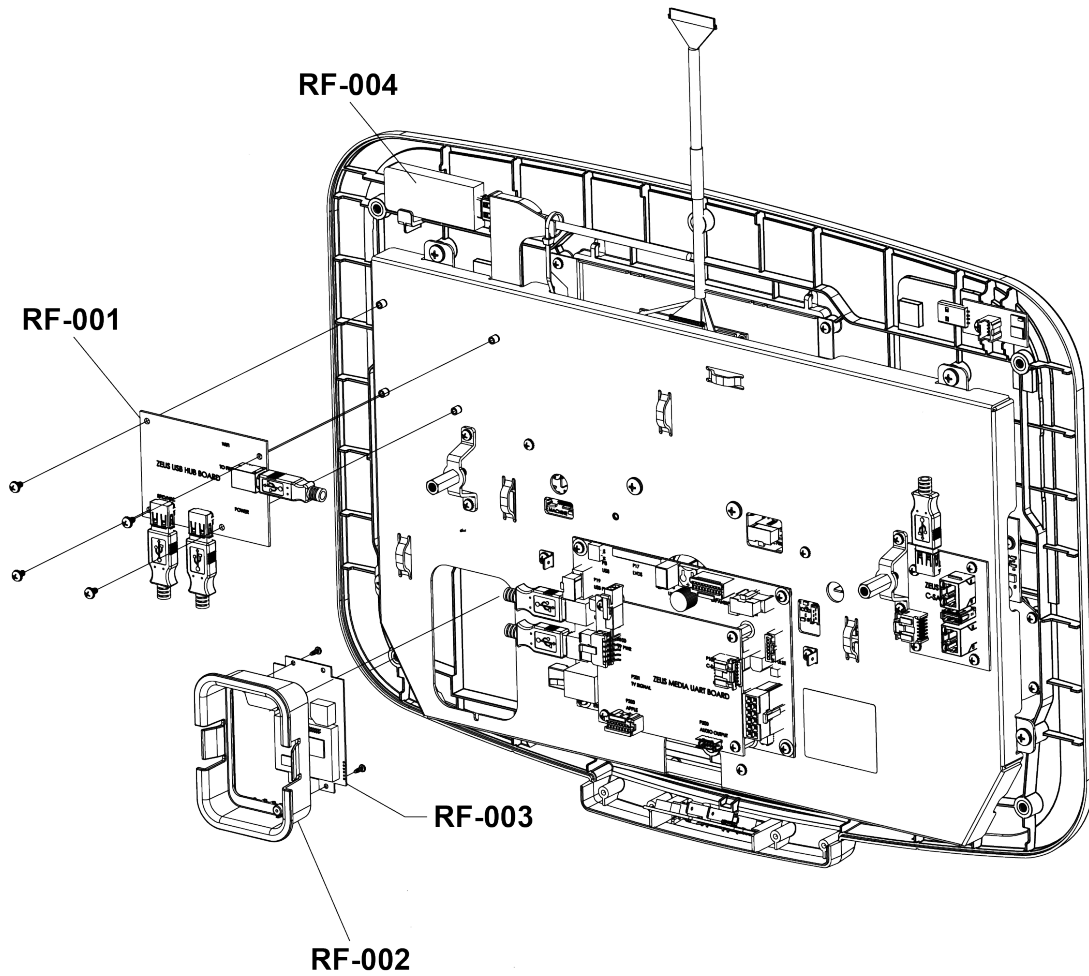
Rear Bezel Assembly



Parts List

Item	Part Number	Item Description (Qty)	Serial Number Range
RB-001	0K92-01010-2400	CASE: TREAD CONSOLE; CHGR	100001-199999
	0K92-01011-2400	CASE: CONSOLE, CHGR (NON TREAD)	100001-199999
RB-002	0K99-01001-2400	DOOR: ACCESS, CSAFE	100001-199999

RFID Assembly



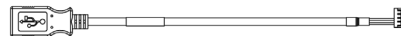
Parts List

Item	Part Number	Item Description (Qty)	Serial Number Range
RF-001	B084-92426-0000	PCB ASSY: USB Hub, 2-port	100001-199999
RF-002	0K99-01029-0000	PLASTIC: RFID HOLDER	100001-199999
RF-003	118E-00001-0295	RFID DUAL BAND HF & LF MODULE	100001-199999
RF-004	0k92-01082-0000	USB WIFI MODULE	100001-199999

Cables



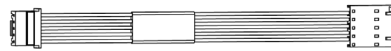
CB-001



CB-002



CB-003



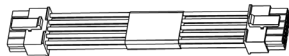
CB-004



CB-005



CB-006



CB-007



CB-008



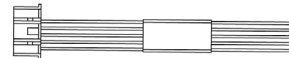
CB-009



CB-010



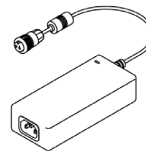
CB-011



CB-012



CB-013



CB-014

Parts List

Item	Part Number	Item Description (Qty)	Serial Number Range
CB-001	0K99-01002-0000	CABLE: USB TYPE A PLUG TO TYPE B PLUG	100001-199999
CB-002	0K99-01015-0000	CABLE: RFID	100001-199999
CB-003	0K99-01003-0000	CABLE: 7-SEGMENT TO I/O	100001-199999
CB-004	0K99-01004-0000	CABLE: CAPACITIVE KEYPAD TO I/O	100001-199999
CB-005	0K99-01005-0000	CABLE: GROUND	100001-199999
CB-006	0K99-01006-0000	CABLE: MEDIA TO CSAF	100001-199999
CB-007	0K99-01007-0000	CABLE: IO TO FITCORE	100001-199999
CB-008	0K99-01008-0000	CABLE: USB TYPE A PLUG TO MINI TYPE B PLUG	100001-199999
CB-009	0K99-01033-0000	CABLE: HEADPHONE TO MEDIA	100001-199999
CB-010	0K99-01054-0000	CABLE: LVDS	100001-199999
CB-011	AK92-00073-0002	CABLE: USB TYPE A (M) TO TYPE A (F); 19.7", 28 AWG, BLACK	100001-199999
CB-012	0K99-01018-0000	CABLE: LIFEPULSE TO FITCORE - NONTREAD ONLY	100001-199999
CB-013	AK92-00019-000	CABLE ASSY, MIB POLAR TO POLAR RECEIVER	100001-199999
CB-014	0017-00003-1091	POWER SUPPLY; 24VDC, 5A	100001-199999