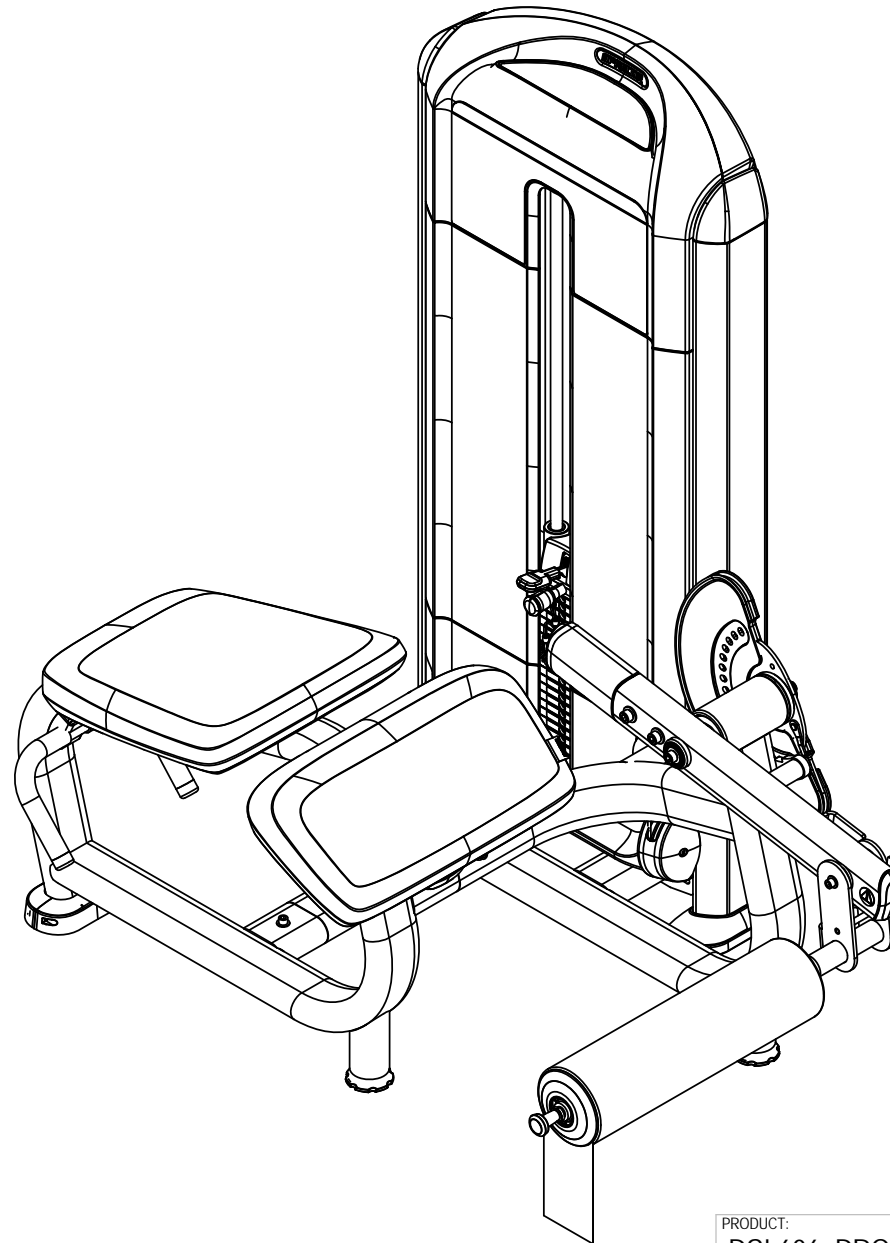


NOTES:

1 THIS LABEL IS FURNISHED AS PART OF A LABEL KIT.
ORDER REPLACEMENT LABEL KITS AS FOLLOWS:

- 201 ENGLISH
- 202 CHINESE
- 203 FRENCH
- 204 GERMAN
- 205 JAPANESE
- 206 SPANISH
- 207 DUTCH
- 208 PORTUGUESE
- 209 RUSSIAN
- 210 HEBREW
- 211 ITALIAN



PRODUCT:

DSL606, PRONE LEG CURL CORE

DRWN BY	11/19/13	KAW	SIZE
CS	10/21/13	BG	A

PAGE	1 OF 4
------	--------

DWG. NO.	CW39067-101
----------	-------------

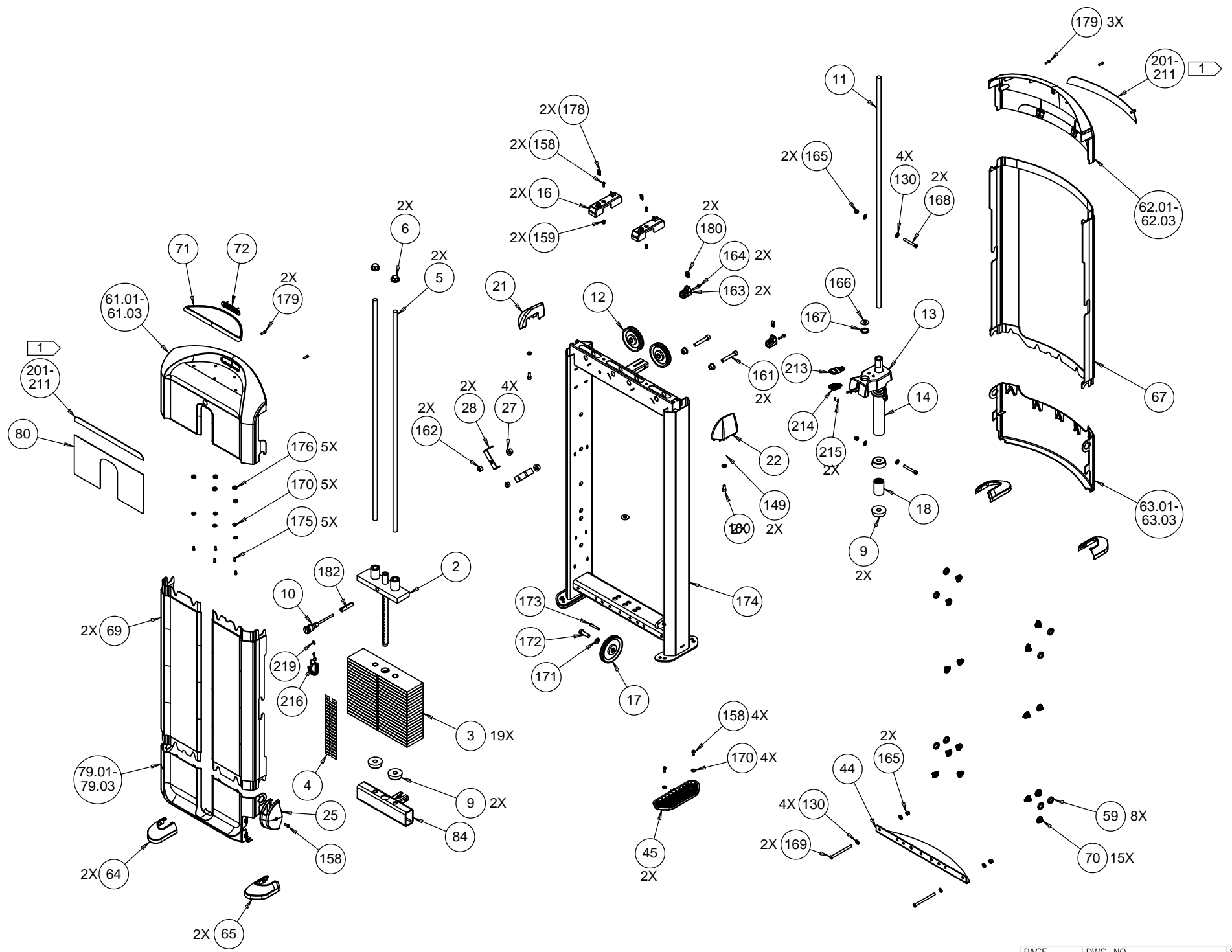
SUBREV	D
--------	---

4

3

2

1

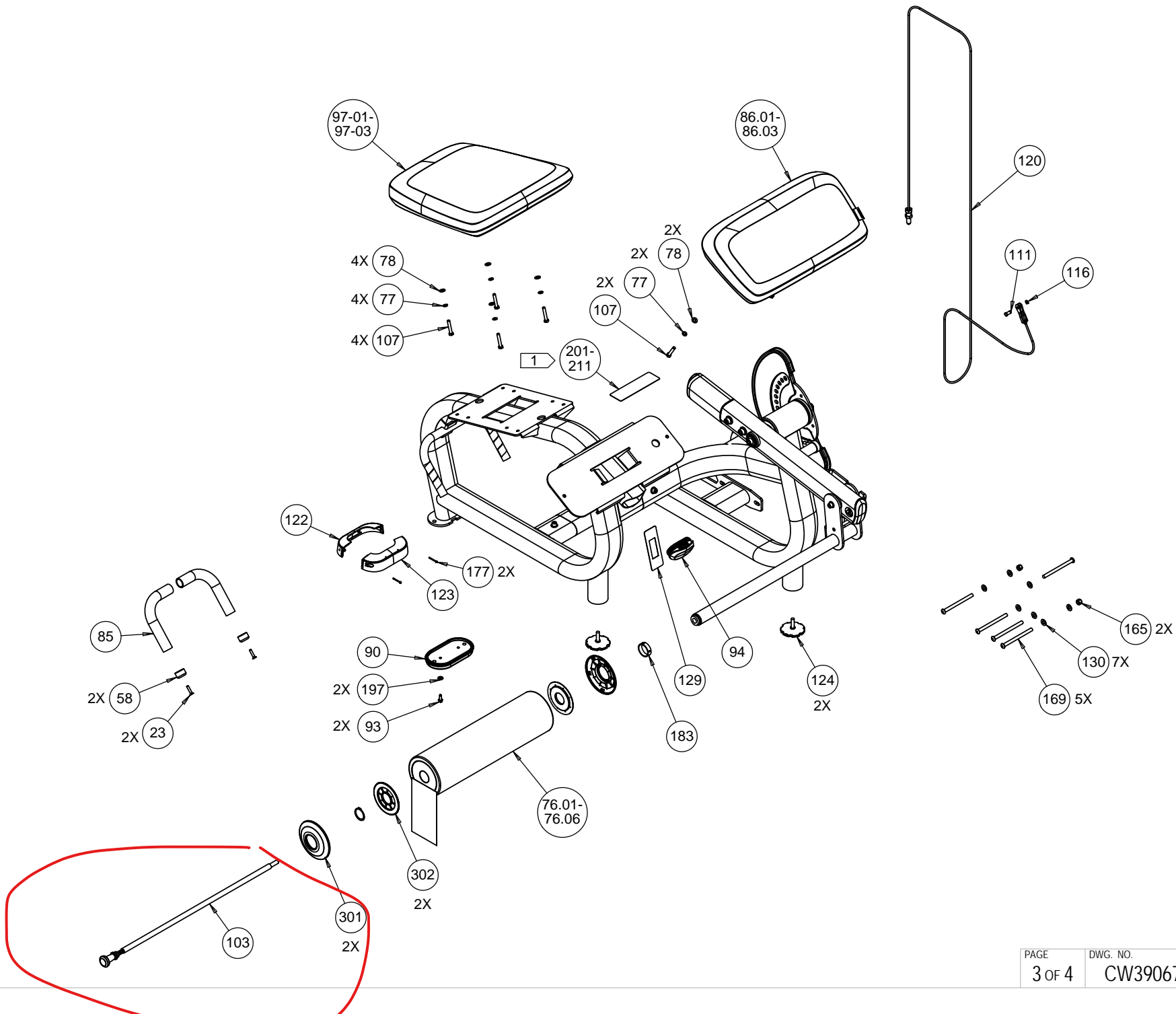


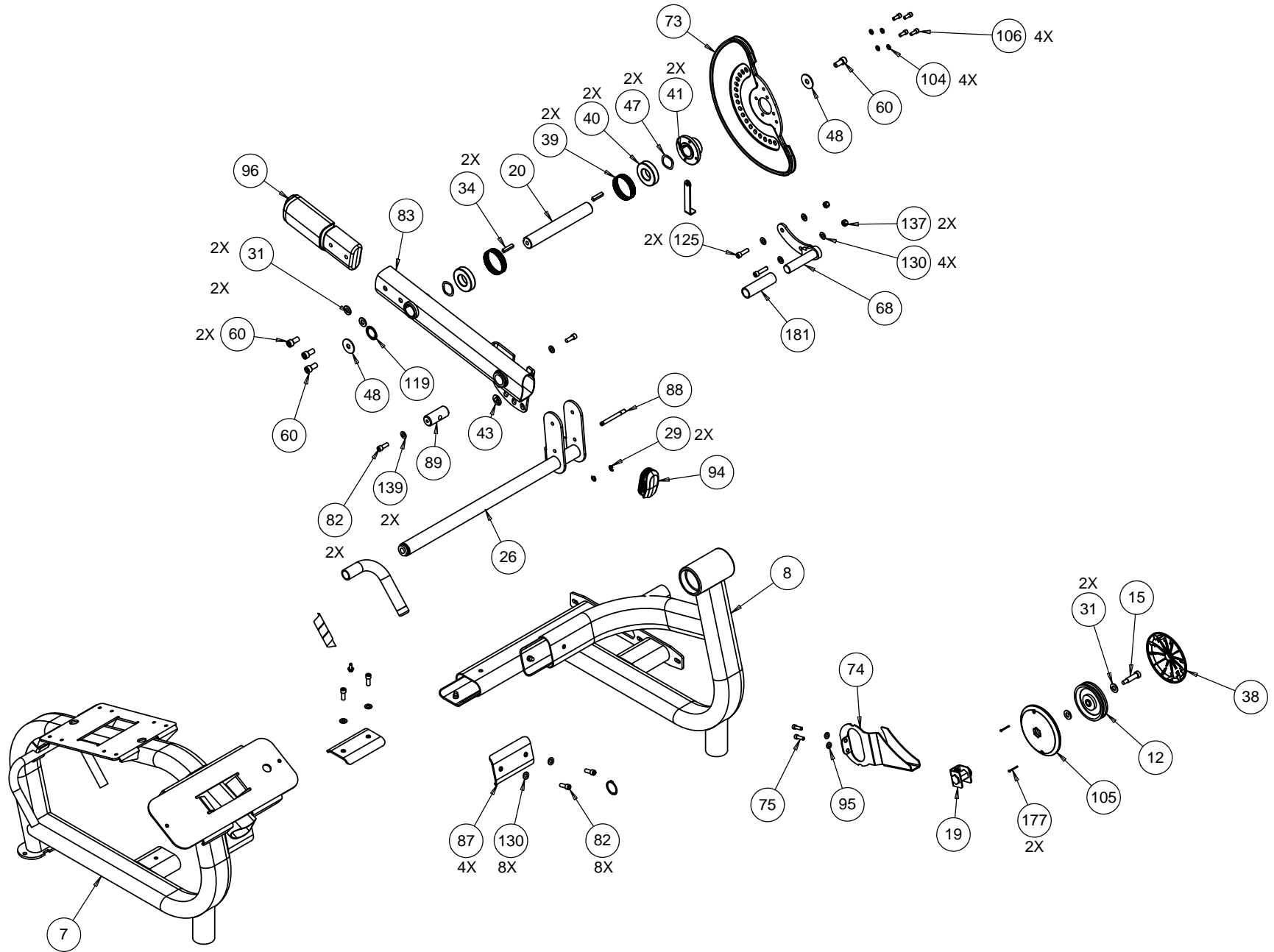
4

3

2

1





Precor Discover Series Selectorized, DSL606, Prone Leg Curl, Serial BA74

Part Number	Description	Bubble	Qty
PPP00000CW38037101	ASSY,WT PLATE,10LB,DS	3	19
PPP00000CW38017101	DECAL SET,10LB WT PLATES,DS	4	
PPP00000CW38041101	GUIDEROD,.75ODX47.63,CRS,DS,CR	5	2
PPP00000CW38009101	CAP,END,SANTOPRENE,GUIDE ROD,DS	6	2
PPP00000CW38013101	BUMPER,2.5ODX.75IDX.8,WT STK	9	4
PPP00000CW38138103	ASSY,SLCTR PIN WITH TETHER,DS	10	
PPP00000CW38020101	GUIDEROD,.75ODX49.75,CRS,CR	11	
PPP00000CWAC1009101	PULLEY, 4 1/2 DIA X 1/2 ID	12	3
PPP00000CW38143301	ASSY,AOW SELECTOR,5 LB COVER,DS	13	
PPP00000CW40346101	ASSY, ADD ON WEIGHT, 5LB, DS	14	
PPP00000CWRANN038150	BOLT, SHOULDER, 3/8-16 X 1/2 X 1 1/	15	
PPP00000CW38051101	MOUNT,FRONT CAP,PLASTIC,DS	16	2
PPP00000CW38010101	PULLEY,5ODX.5ID	17	
PPP00000CW38142101	ASSY,AOW SPACER,2.53L,DS	18	
PPP00000CW34356102	WLDMT,PULLEY DFLCTR, PRONE LEG CURL	19	
PPP00000CW35152101	BAR, 1 3/8 DIA, PIVOT SHAFT, 45 DEG	20	
PPP00000CW38008101	CAP,END,AL,TRP TWR RIGHT,DS,PC	21	
PPP00000CW38028101	CAP,END,AL,TRP TWR LEFT,DS,PC	22	
PPP00000CW38054101	COVER,PULLEY,R VERT/L HORZ,DS TWR	25	
PPP00000CW10220101	KEY, SQUARE, 5/16 X 1-1/2	34	2
PPP00000CW33997107	4.5" PULLEY COVER, HEX MOUNT, FRONT	38	
PPP00000CW49209103	BEARING TOLERANCE RING, AN-72X17-S9	39	2
PPP00000CW10158102	BEARING, BALL, 6207, 72MM OD X 35MM	40	2
PPP00000CW33754101	BAR, 3.50 DIA. X 1.50	41	2
PPP00000CW38012101	PAD,FOOT,SANTO OVRMLD,DS TWR	45	2
PPP00000CW34091101	HANDLE END CAP, ALUM,	58	2
PPP00000CW38154301	COVER,FOOT,PLASTIC,DS TOWER	64	2
PPP00000CW35313101	ASSEMBLY, OFFSET CAM STOP	68	
PPP00000CW38341102	TRAY, TOP FRONT COVER, TOWER, DS	71	
PPP00000CW38204102	LABEL, PRECOR, AL, FOIL LOGO	72	
PPP00000CW33932101	CAM, MOLDED PULLEY	73	
PPP00000CW39035101	BPLATE,11GA,CABLE GUARD,DSPLC	74	
PPP00000CWPD4015114	LARGE ROLLER PAD 1.25" ID, CUSTOM	76.02	
PPP00000CWPD4015118	LARGE ROLLER PAD 1.25" ID, IMP BLUE	76.03	
PPP00000CWPD4015122	LARGE ROLLER PAD 1.25" ID, PAPRIKA	76.04	
PPP00000CWPD4015131	LARGE ROLLER PAD 1.25" ID, MAHOGANY	76.05	
PPP00000CW35328103	PLACARD, INSTR, DSPLC	80	
PPP00000CW58104101	CS KIT, GRIP, RUBBER, 1.00" OD HAND	85	

Precor Discover Series Selectorized, DSL606, Prone Leg Curl, Serial BA74

Part Number	Description	Bubble	Qty
PPP0000CWPD4000114	ELBOW PAD, RENOVO, CUSTOM	86.02	
PPP0000CWPD4000118	ELBOW PAD, RENOVO,IMP BLUE	86.03	
PPP0000CWPD4000122	ELBOW PAD, RENOVO,PAPRIKA	86.04	
PPP0000CWPD4000131	ELBOW PAD, RENOVO, MAHOGANY	86.05	
PPP00000CW33880101	FORMED,PLATE, .19 THICK,DOUBLE-D CO	87	
PPP00000CW40014101	BAR,1.5OD,ANKLE PIVOT SHAFT,DSSLC/L	89	
PPP00000CW33972102	PLASTIC FOOT,SEAT FRAME,TPE,DS	90	
PPP00000CW33996101	DOUBLE D TUBE END CAP	94	2
PPP00000CW33890101	COUNTER WEIGHT, 17.5 LBS.	96	
PPP0000CWPD4013114	LARGE SEAT PAD, RENOVO, CUSTOM	97.02	
PPP0000CWPD4013118	LARGE SEAT PAD, RENOVO, IMP BLUE	97.03	
PPP0000CWPD4013122	LARGE SEAT PAD, RENOVO, PAPRIKA	97.04	
PPP0000CWPD4013131	LARGE SEAT PAD, RENOVO, MAHOGANY	97.05	
PPP00000CW40194101	ASSY,SELECTOR ROD,DSSLC/PLC/LE	103	
PPP00000CW33997110	4.5" PULLEY COVER, HEX MOUNT, BACK	105	
PPP0000CWHCCN031175	SCREW, HEX, GR 5, 5/16-18 X 1 3/4 C	107	6
PPP00000CW34252101	PIN,CLEVIS,GROOVED,5/16ODX.61,SS	111	
PPP00000CW50313101	KIT, 606 DSPLC CABLE	120	
PPP00000CW34061103	FOOT COVER FRONT, 15 DEGREES SHORT	122	
PPP00000CW34061104	FOOT COVER BACK, 15 DEGREES SHORT	123	
PPP00000CW39916103	FOOT, ADJUSTING, NO LOGO	124	2
PPP00000CW35415101	LABEL,REGULATORY,DS	129	
PPP0000CWGR4604250	GRIP, RUBBER, 1.00" OD HANDLE, 4.25	181	
PPP00000CW40013101	ASSY,HANDLE RETAINING RING,1.54ID	183	
PPP00000CW38504102	KIT,MACHINE DECALS,ENGLISH,DSPLC	201	
PPP00000CW38134103	HANDLE,AOW SELECT,TOP,OVRMLD,DS	213	
PPP00000CW38134104	HANDLE,AOW SELECT,BOTTOM,OVRMLD,DS	214	
PPP00000CW39664101	ASSY, DSL WEIGHT STACK LANYARD	216	
PPP00000CAGN038075	SCREW, SOCKET HEAD, BLK OXIDE, 3/8		
PPP00000CW12112101	RIVNUT,INSERT,HEX,1/4-20		
PPP00000CW33882101	BAR,RND,.375 DIA,STOP PIN		
PPP00000CW34758102	LABEL,PINCH POINT WARNING, RENOVO,		
PPP00000CW35085101	LABEL, PIVOT POINT, C-LINE		
PPP00000CW35153102	WLDMT, CAM STOP, 4.75" LONG, 25 DEG		
PPP00000CW38006101	MOUNT,TWR COVERS,PLASTIC,DS		
PPP00000CW38022101	BUSHING,SLEEVE,25.5ODX20.8IDX13MM		
PPP00000CW38040102	SPACER,FLANGED,.86ODX.51IDX.5,CZ		
PPP00000CW38043101	ASSY,TWR KICKPLATE,DS,WITH RIV NUTS		

Precor Discover Series Selectorized, DSL606, Prone Leg Curl, Serial BA74

Part Number	Description	Bubble	Qty
PPP00000CW38044101	WLDMT,WT STK SPACER,3IN,DS,PC		
PPP00000CW38052101	MOUNT,REAR CAP,PLASTIC,DS		
PPP00000CW38055101	ADPTR,RING,COVER SPACER,PLASTIC,DS		
PPP00000CW38136101	BRKT,CABLE ANTIJUMP,DS,PC		
PPP00000CW38141101	WASHER,COMP,1.38ODX1IDX.15,TPE		
PPP00000CW38320101	ASSY,PIVOT ARM,DSPLC		
PPP00000CW38334102	RING,SPLIT,0.59ODX0.50IDX.09T,CZ		
PPP00000CW38346101	SPACER,TUBE,TWR TOP CAP,DS		
PPP00000CW38505102	KIT,MACHINE DECALS,DUTCH,DSPLC		
PPP00000CW38506103	KIT,MACHINE DECALS,GERMAN,DSPLC		
PPP00000CW38507103	KIT,MACHINE DECALS,SPANISH,DSPLC		
PPP00000CW38508103	KIT,MACHINE DECALS,FRENCH,DSPLC		
PPP00000CW38509102	KIT,MACHINE DECALS,JAPANESE,DSPLC		
PPP00000CW38510102	KIT,MACHINE DECALS,ITALIAN,DSPLC		
PPP00000CW38511102	KIT,MACHINE DECALS,CHINESE,DSPLC		
PPP00000CW38512102	KIT,MACHINE DECALS,BR PORT,DSPLC		
PPP00000CW38513103	KIT,MACHINE DECALS,IB PORT,DSPLC		
PPP00000CW38514102	KIT,MACHINE DECALS,RUSSIAN,DSPLC		
PPP00000CW39298101	KIT, LABEL, ISRAEL, DSPLC		
PPP00000CW39410101	DSL PRONE LEG CURL LIT KIT UPDATED		
PPP00000CW40193101	ASSY,ANKLE PAD BAR,DSSLC/PLC/LE		
PPP00000CW50243101	ASSEMBLY, SEAT FRAME, PRONE LEG CU		
PPP00000CW50309101	KIT, CAM ANTI-JUMP, LARGE		
PPP00000CW58076101	CS KIT, ASSY,WLDMT,TWR BASE,RIGHT P		
PPP00000CW58077101	CS KIT, ASSY,WLDMT, HUB FRAME, PRON		
PPP00000CW58084101	CS KIT, WRAP, FRONT COVER (RIGHT OR LEFT		
PPP00000CW58085101	CS KIT, WRAP, REAR COVER		
PPP00000CW58097101	CS KIT, CAM HUB BOLT, DSL, C-LINE		
PPP00000CW58113101	CS KIT, ASSY, ANKLE PAD WELDMENT, D		
PPP00000CW58113102	CS KIT, ASSY, ANKLE PAD WELDMENT, D		
PPP00000CW58155101	CS KIT,ROLLER PAD, DSL605,DSL606	76	
PPP00000CWGR4610000	GRIP, RUBBER, 1.00" OD HANDLE, 10.0		
PPP00000CWAECN031003	E-RING, .31 DIA X .03 THICK, CLR ZN		
PPP00000CWAECN037004	E-RING, EXTERNAL, .375 DIA., .04 TH		
PPP00000CWCACN025050	SCREW,SHC,1/4-20X.50,CZ		
PPP00000CWCACN038100	SCREW,SHC,3/8-16 X1.00,CZ		
PPP00000CWCACN038275	SCREW,SHC,3/8 -16X2 3/4,CZ		
PPP00000CWCACN050100	SCREW,SHC,1/2-13X1.00,CZ		

Precor Discover Series Selectorized, DSL606, Prone Leg Curl, Serial BA74

Part Number	Description	Bubble	Qty
PPP000CWCACN050300	SCREW,SHC,1/2-13X 3.00,CZ		
PPP000CWCAKN031075	SCREW,SHC,5/16-18X.75,BZ		
PPP000CWCAKN031100	SCREW,SHC,5/16-18X1,BZ		
PPP000CWCAKN038125	SCREW,SHC,3/8-16 X1.25,BZ		
PPP000CWCAYN038075	SCREW, SOCKET HEAD, BLK XYLAN, 3/8		
PPP000CWCAYN038100	SCREW, SOCKET HEAD, BLK XYLAN, 3/8		
PPP000CWCLER128625	ASSY,CABLE,STK-CLV,DSPLC		
PPP000CWHCCN050275	SCREW, HEX HEAD, ZN, 1/2-13 X 2.75		
PPP000CWHCYN038250	BOLT,HH5,3/8-16X2.50,BLK XYLAN		
PPP000CWHFWN050175	BOLT,HH8,1/2-20X1.75,YZ		
PPP000CWKACN050031	NUT,NYLOCK,HALF,1/2-13,CZ		
PPP000CWKAYN038027	NUT,NYLOCK,HALF,3/8-16,BX		
PPP000CWKDCN050059	NUT,NYLOCK,FULL,1/2-13,CZ		
PPP000CWKDYN038045	NUT,NYLOCK,FULL,3/8-16,BX		
PPP000CWPLCN025075	SLOTTED, HEX, WASHER HEAD, 1/4-20 X		
PPP000CWPLCN025125	SCREW,ST,SLT HEX WSHR,1/4-20X1.25,C		
PPP000CWPMTN016063	SCREW, SELF TAPPING,#8 X 5/8 PHIL,		
PPP000CWPMTN016125	SCREW, SELF-TAPPING, #8 X 1 1/4 PHI		
PPP000CWRANN025150	BOLT, SHOULDER, 1/4-20 X 5/16 X 1 1		
PPP000CWS084020101	ASSY, TOP PLATE,200LBS WT STACK		
PPP000CWTAKN038500	SCREW,BHC,3/8-16X5.00,BZ		
PPP000CWTATN025075	SCREW, BUTTON HEAD, SHARPERIZED BLK		
PPP000CWTEKN004010	SCREW,BHC, M4X0.7X10L,BZ		
PPP000CWWBCN025007	WASHER, FLAT, TYPE A, SAE, 1/4 ID X		
PPP000CWWBCN031007	WASHER, FLAT, TYPE A, SAE, 5/16 ID		
PPP000CWWBCN050010	WASHER, FLAT, TYPE A, NARROW, 1/2 I		
PPP000CWWBKN031007	WASHER, FLAT, TYPE A, SAE, 5/16 ID		
PPP000CWWGCN038007	WASHER, FLAT, TYPE A, HARDENED, 3/8		
PPP000CWWGCN050010	WASHER, FLAT, TYPE A, HARDENED, 1/2		
PPP000CWWGKN038007	WASHER, FLAT, TYPE A, HARDENED, 3/8		
PPP000CWWHKN050010	WASHER,A,WIDE,1/2ID X .094 THICK		
PPP00CWMACCN025100	SCREW,FH,SHC,1/4-20X1,CZ		
PPP00CWWAACN025006	WASHER, FLAT, TYPE B, 1/4 ID X .734		
PPP00CWWABCN050010	WASHER, FENDER, 1/2 ID X 1 3/4 OD,		
PPP00CWWAHNN140002	WASHER,WAVE, 1.40 ID, 1.82 OD, .02		
PPP00CWWALCN031008	WASHER, SPLIT, 5/16 ID, ZN		
PPP00CWWALCN050013	WASHER, SPLIT, 1/2 ID, CLR ZINC		
PPP00CWWALYN031008	WASHER, SPLIT, 5/16 ID, BL		

Precor Discover Series Selectorized, DSL606, Prone Leg Curl, Serial BA74

Part Number	Description	Bubble	Qty
PPP00CWWATCN038032	WASHER, LK, INT. TOOTH, .375		