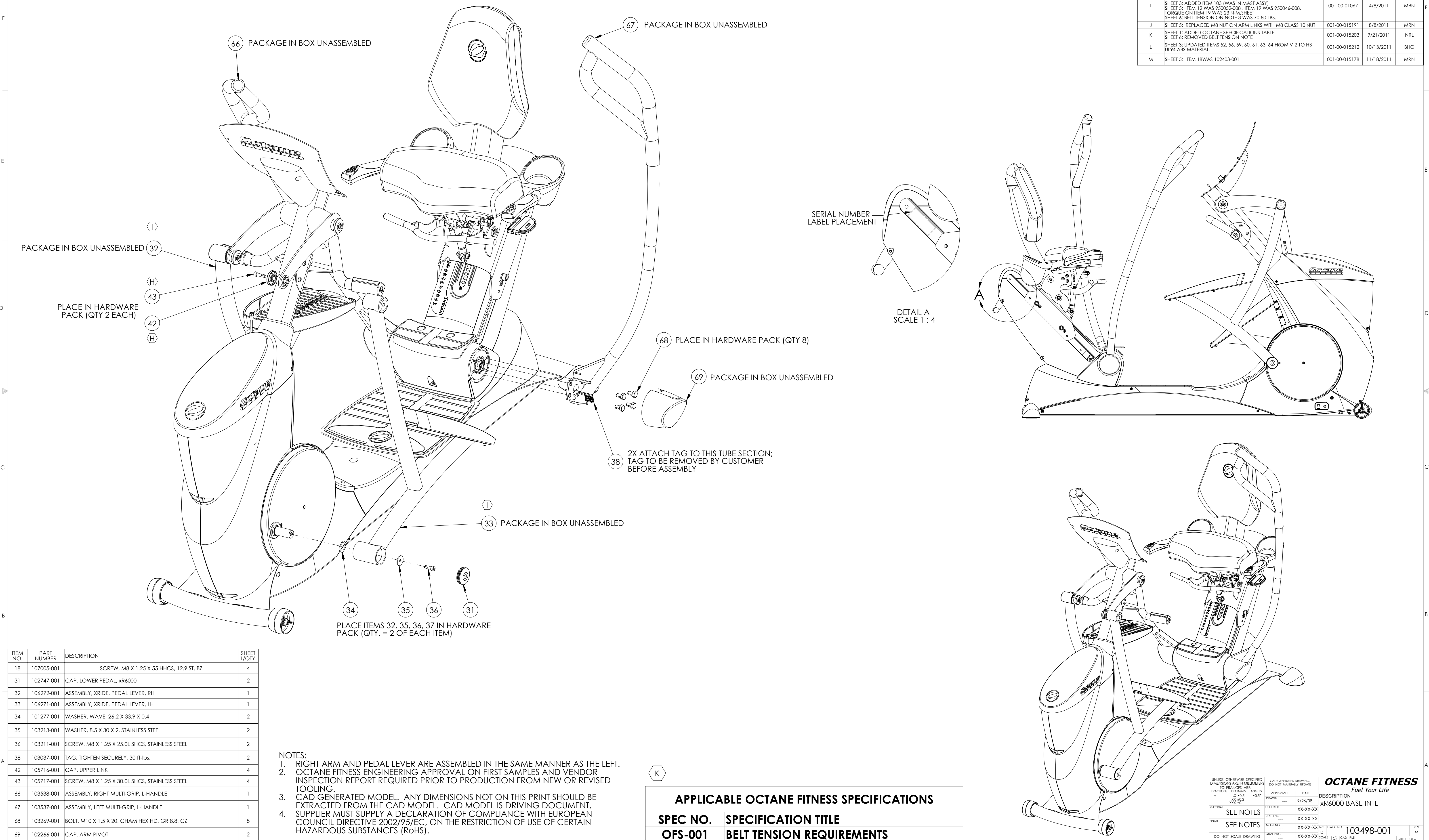


THE INFORMATION CONTAINED IN THIS DRAWING IS THE SOLE PROPERTY OF OCTANE FITNESS. ANY REPRODUCTION IN PART OR WHOLE WITHOUT THE WRITTEN PERMISSION OF OCTANE FITNESS IS PROHIBITED.

REV	DESCRIPTION	ECO #	DATE	ENG
E	SHEET 5: ADDED CRANK ARM SPACER, NEW CRANK ARM, SCREW, AND THICK WASHER	001-00-014923	10/12/2009	JCW
F	SHEET 6: REPLACED BRAKE CABLES AND BASE CABLE WITH FERRITE BEAD CABLES.	001-00-014985	3/29/2010	BHG
G	SHEET 6: ADDED CABLE TIE, SCREW AND RIVNUT TO RESTRAIN CORD	001-00-015018	6/23/2010	MRN
H	SHEET 1 AND 4: REPLACED UPPER PEDAL LINKAGES, CAPS, AND BOLTS	001-00-015020	8/31/2010	BHG
I	SHEET 1: ITEM 33 WAS 102728-001, ITEM 34 WAS 102727-001 SHEET 2: ITEM 66 WAS 102746-001 SHEET 5: ADDED ITEM 103 (WAS IN MAST ASSY) SHEET 5: ITEM 12 WAS 950052-008, ITEM 19 WAS 950046-008. TORQUE ON ITEM 19 WAS 23 N.M. SHEET SHEET 6: BELT TENSION ON NOTE 3 WAS 70-80 LBS.	001-00-01067	4/8/2011	MRN
J	SHEET 5: REPLACED M8 NUT ON ARM LINKS WITH M8 CLASS 10 NUT	001-00-015191	8/8/2011	MRN
K	SHEET 1: ADDED OCTANE SPECIFICATIONS TABLE SHEET 6: REMOVED BELT TENSION NOTE	001-00-015203	9/21/2011	NRL
L	SHEET 3: UPDATED ITEMS 52, 56, 59, 60, 61, 63, 64 FROM V-2 TO H8 ULP4 ABS MATERIAL.	001-00-015212	10/13/2011	BHG
M	SHEET 5: ITEM 18 WAS 102403-001	001-00-015178	11/18/2011	MRN



ITEM NO.	PART NUMBER	DESCRIPTION	SHEET 1/QTY.
18	107005-001	SCREW, M8 X 1.25 X 55 HHCS, 12.9 ST. BZ	4
31	102747-001	CAP, LOWER PEDAL, XR6000	2
32	106272-001	ASSEMBLY, XRIDE, PEDAL LEVER, RH	1
33	106271-001	ASSEMBLY, XRIDE, PEDAL LEVER, LH	1
34	101277-001	WASHER, WAVE, 26.2 X 33.9 X 0.4	2
35	103213-001	WASHER, 8.5 X 30 X 2, STAINLESS STEEL	2
36	103211-001	SCREW, M8 X 1.25 X 25.0L SHCS, STAINLESS STEEL	2
38	103037-001	TAG, TIGHTEN SECURELY, 30 lb-lbs.	2
42	105716-001	CAP, UPPER LINK	4
43	105717-001	SCREW, M8 X 1.25 X 30.0L SHCS, STAINLESS STEEL	4
66	103538-001	ASSEMBLY, RIGHT MULTI-GRIP, L-HANDLE	1
67	103537-001	ASSEMBLY, LEFT MULTI-GRIP, L-HANDLE	1
68	103269-001	BOLT, M10 X 1.5 X 20, CHAM HEX HD, GR 8.8, CZ	8
69	102266-001	CAP, ARM PIVOT	2

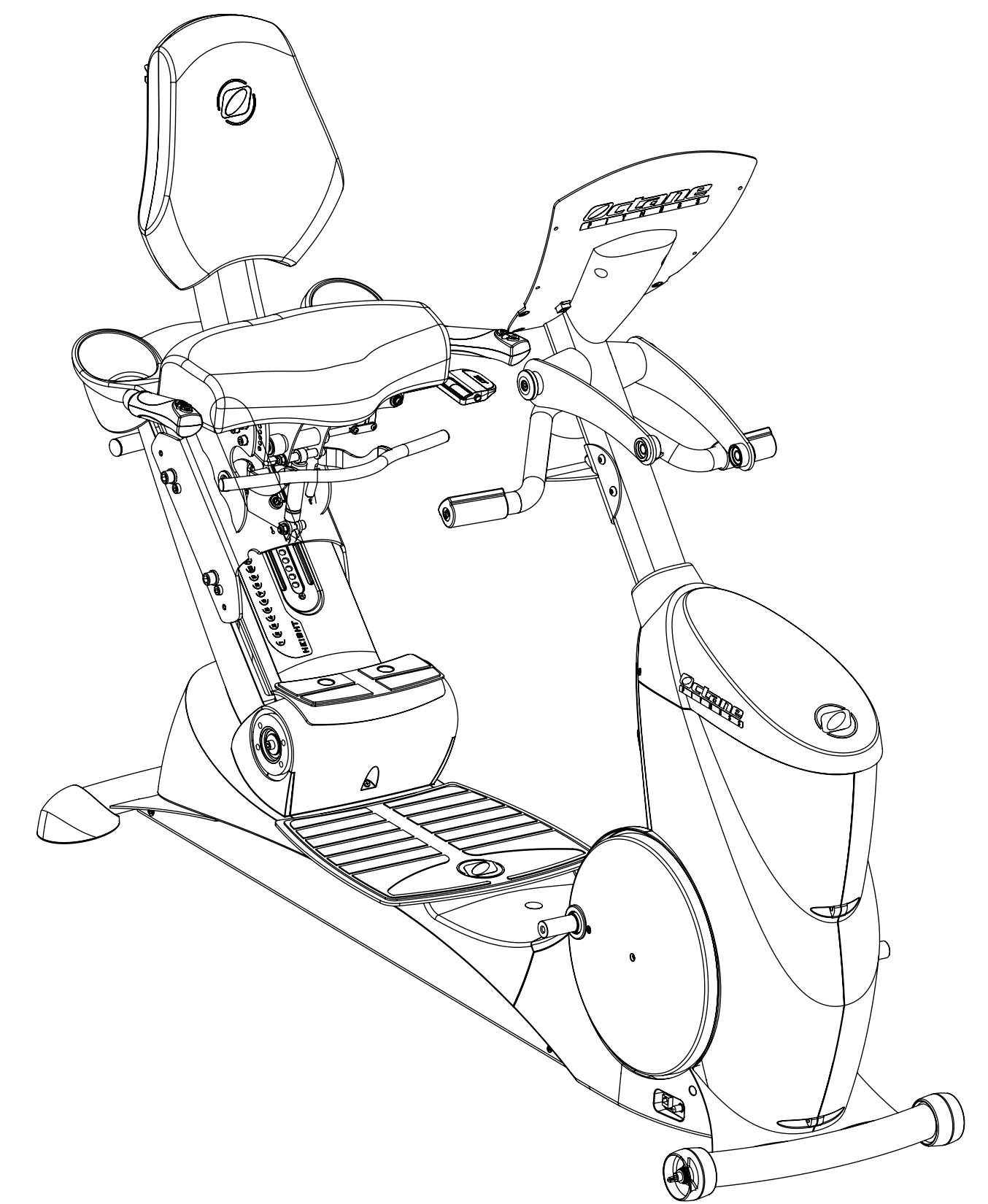
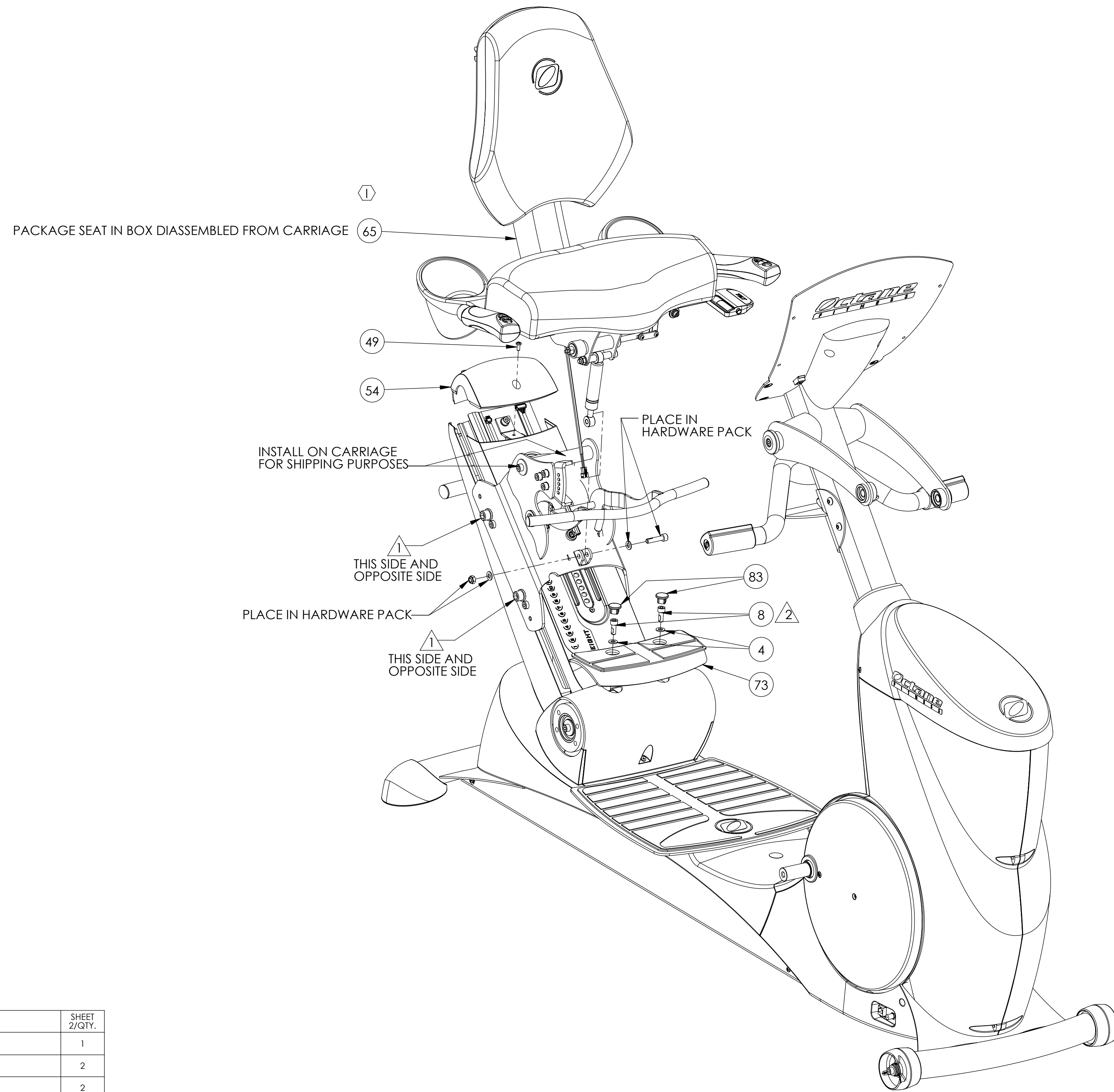
- NOTES:
- RIGHT ARM AND PEDAL LEVER ARE ASSEMBLED IN THE SAME MANNER AS THE LEFT.
 - OCTANE FITNESS ENGINEERING APPROVAL ON FIRST SAMPLES AND VENDOR INSPECTION REPORT REQUIRED PRIOR TO PRODUCTION FROM NEW OR REVISED TOOLING.
 - CAD GENERATED MODEL. ANY DIMENSIONS NOT ON THIS PRINT SHOULD BE EXTRACTED FROM THE CAD MODEL. CAD MODEL IS DRIVING DOCUMENT. SUPPLIER MUST SUPPLY A DECLARATION OF COMPLIANCE WITH EUROPEAN COUNCIL DIRECTIVE 2002/95/EC, ON THE RESTRICTION OF USE OF CERTAIN HAZARDOUS SUBSTANCES (RoHS).

APPLICABLE OCTANE FITNESS SPECIFICATIONS	
SPEC NO.	SPECIFICATION TITLE
OFS-001	BELT TENSION REQUIREMENTS

UNLESS OTHERWISE SPECIFIED DIMENSIONS ARE IN MILLIMETERS	CAD GENERATED DRAWING, DO NOT MANUALLY UPDATE	OCTANE FITNESS Fuel Your Life
TOLERANCES ARE: FRACTIONS: DECIMALS: ANGLES: + .X ±0.5 ±0.5° XXX ±0.1	APPROVALS: DATE: 9/26/08	DESCRIPTION: XR6000 BASE INTL
MATERIAL: SEE NOTES	CHECKED: XX-XX-XX	REV: M
FINISH: SEE NOTES	RESP ENG: XX-XX-XX	REV: M
DO NOT SCALE DRAWING	QUAL ENG: XX-XX-XX	REV: M
	SCALE: 1:5	REV: M
	CAD FILE: 103498-001	REV: M
		REV: M

THE INFORMATION CONTAINED IN THIS DRAWING IS THE SOLE PROPERTY OF OCTANE FITNESS. ANY REPRODUCTION IN PART OR WHOLE WITHOUT THE WRITTEN PERMISSION OF OCTANE FITNESS IS PROHIBITED.

REV	DESCRIPTION	ECO #	DATE	ENG
-	See Sheet1	-	-	-



ITEM NO.	PART NUMBER	DESCRIPTION	SHEET 2/QTY.
1	106363-001	WLDMT, FRAME, XR6000	1
4	103212-001	WASHER, M8, 8.3 X 16.0 X 1.6, STAINLESS STEEL	2
8	101295-001	SCREW, M8 X 1.25 X 20.0L SHCS, BLACK ZINC, 12.9 STL	2
18	107005-001	SCREW, M8 X 1.25 X 55 HHCS, 12.9 ST, BZ	4
19	103393-001	NUT, HEX, NYLON INSERT, M8 X 1.25, CZ CLASS 10	6
32	106272-001	ASSEMBLY, XRIDE, PEDAL LEVER, RH	1
33	106271-001	ASSEMBLY, XRIDE, PEDAL LEVER, LH	1
40	105712-001	ASSEMBLY, UPPER LINK, LEFT	1
41	105710-001	ASSEMBLY, UPPER LINK, RIGHT	1
42	105716-001	CAP, UPPER LINK	4
43	105717-001	SCREW, M8 X 1.25 X 30.0L SHCS, STAINLESS STEEL	4
49	100780-001	SCREW, M5 X 0.8 X 12, PAN HEAD, TYPE 1 CROSS RECESSED, STAINLESS STEEL	1
54	103081-001	ASSEMBLY, CAP, SHROUD, REAR	1
65	106362-001	ASSEMBLY, SEAT, XR6000	1
73	103248-001	ASSEMBLY, REAR FOOT REST	1
83	103253-001	PLUG, FOOT REST	2

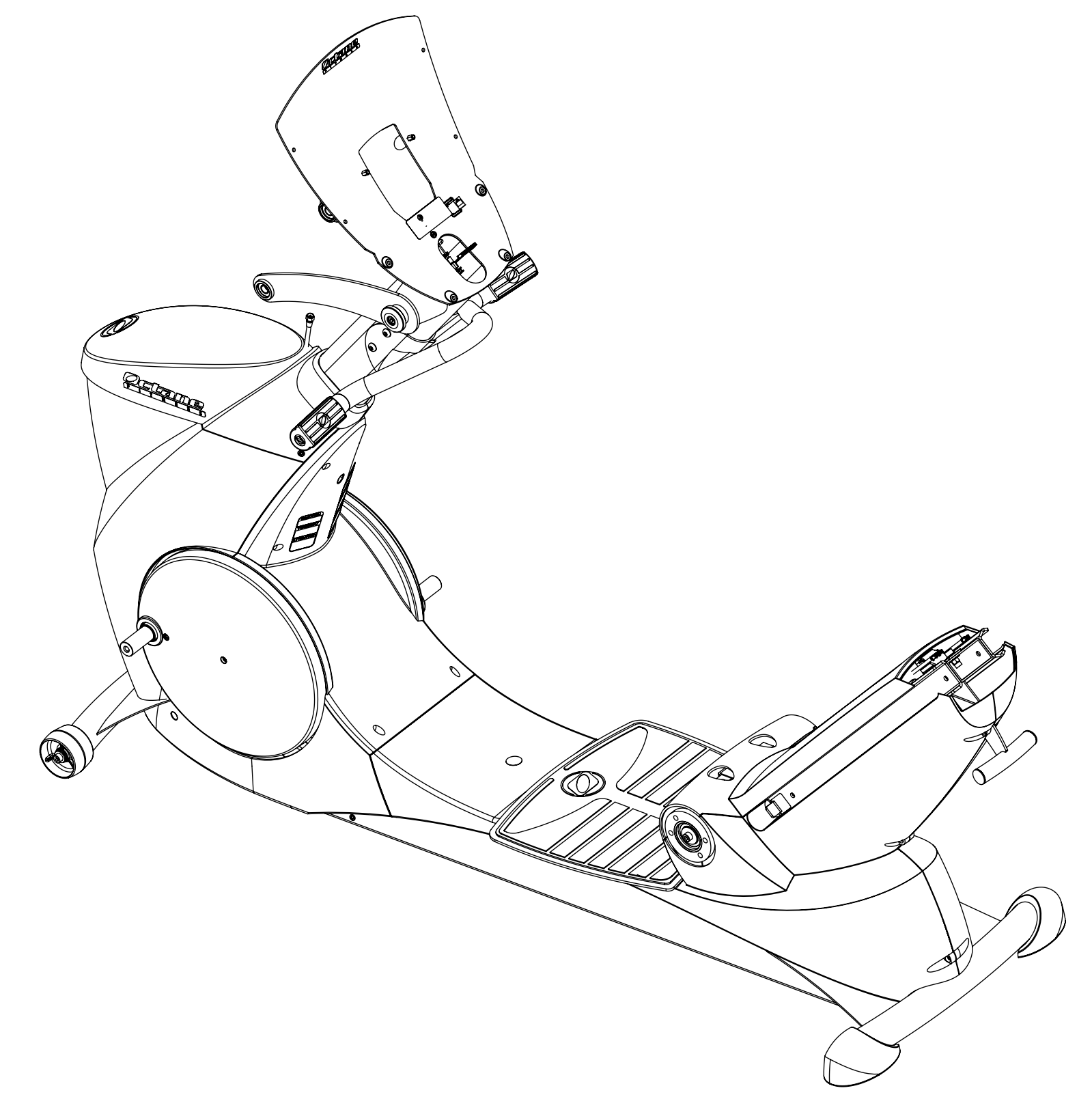
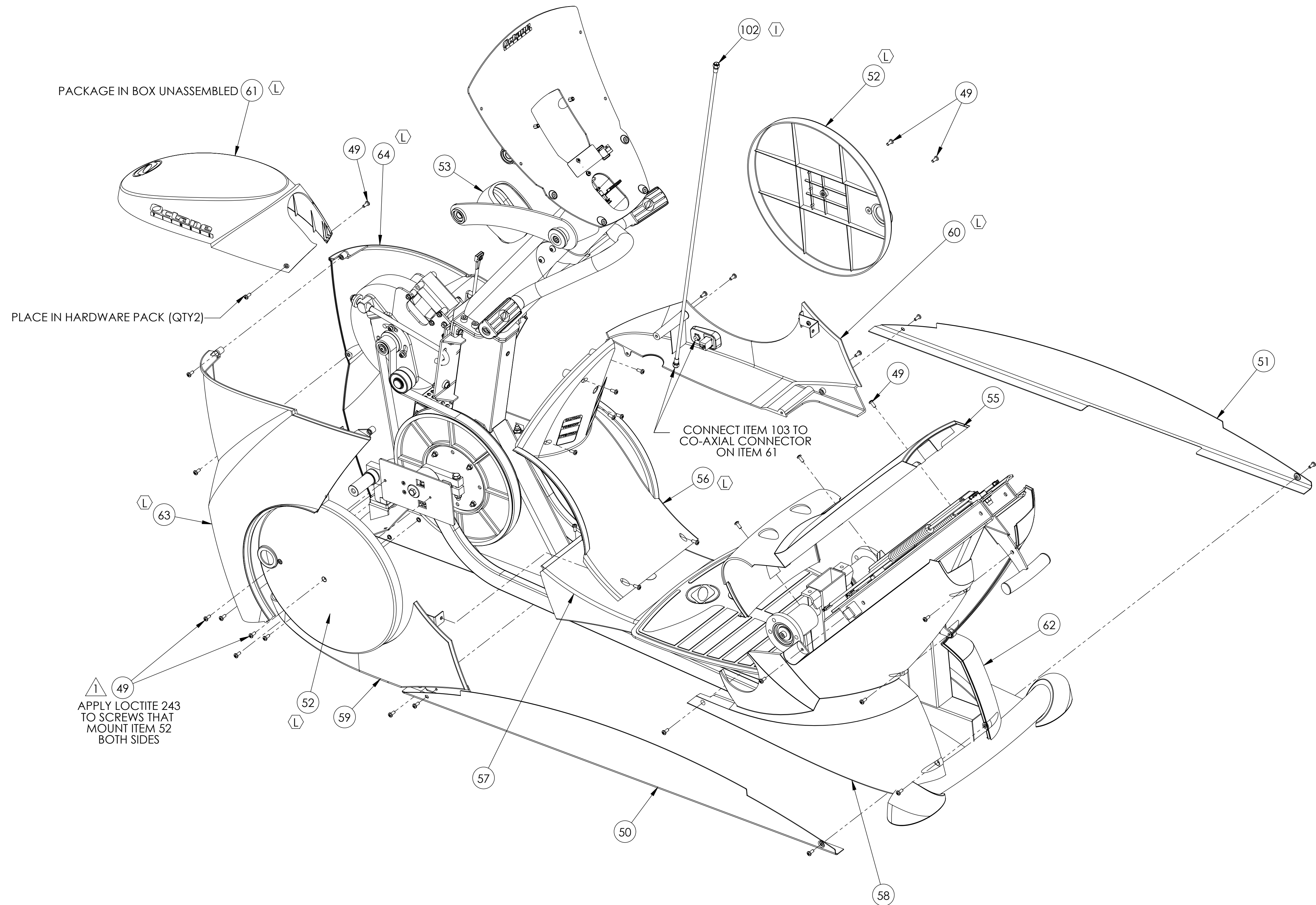
NOTES:

- WITH SEAT CARRIAGE INSTALLED ON RAILS, TORQUE M12 SCREWS TO 40 N-M (30 FT-LB) WHILE HOLDING ROLLER CAMS AT 10 N-M (7.4 FT-LB).
- TORQUE FASTENERS TO 23 N-M (17 FT-LB).
- OCTANE FITNESS ENGINEERING APPROVAL ON FIRST SAMPLES AND VENDOR INSPECTION REPORT REQUIRED PRIOR TO PRODUCTION FROM NEW OR REVISED TOOLING.
- CAD GENERATED MODEL. ANY DIMENSIONS NOT ON THIS PRINT SHOULD BE EXTRACTED FROM THE CAD MODEL. CAD MODEL IS DRIVING DOCUMENT.
- SUPPLIER MUST SUPPLY A DECLARATION OF COMPLIANCE WITH EUROPEAN COUNCIL DIRECTIVE 2002/95/EC, ON THE RESTRICTION OF USE OF CERTAIN HAZARDOUS SUBSTANCES (ROHS).

UNLESS OTHERWISE SPECIFIED DIMENSIONS ARE IN MILLIMETERS		CAD GENERATED DRAWING, DO NOT MANUALLY UPDATE		OCTANE FITNESS Fuel Your Life	
TOLERANCES ARE:	FRACIONS	DIGITALS	ANGLES	APPROVALS	DATE
± .5	+	± .1	± 0.5°	---	6/10/2008
± .1	---	± .01	---	---	---
MATERIAL: SEE NOTES		CHECKED: ---	DATE: ---	DESCRIPTION: XR6000 BASE INTL	
FINISH: SEE NOTES		RESP ENG: ---	DATE: ---	DRAWING NO.: 103498-001	
MFG ENG: ---		QUAL ENG: ---	SCALE: 1:5	SHEET 2 OF 6	

THE INFORMATION CONTAINED IN THIS DRAWING IS THE SOLE PROPERTY OF OCTANE FITNESS. ANY REPRODUCTION IN PART OR WHOLE WITHOUT THE WRITTEN PERMISSION OF OCTANE FITNESS IS PROHIBITED.

REV	DESCRIPTION	ECO #	DATE	ENG
-	See Sheet1	-	-	-

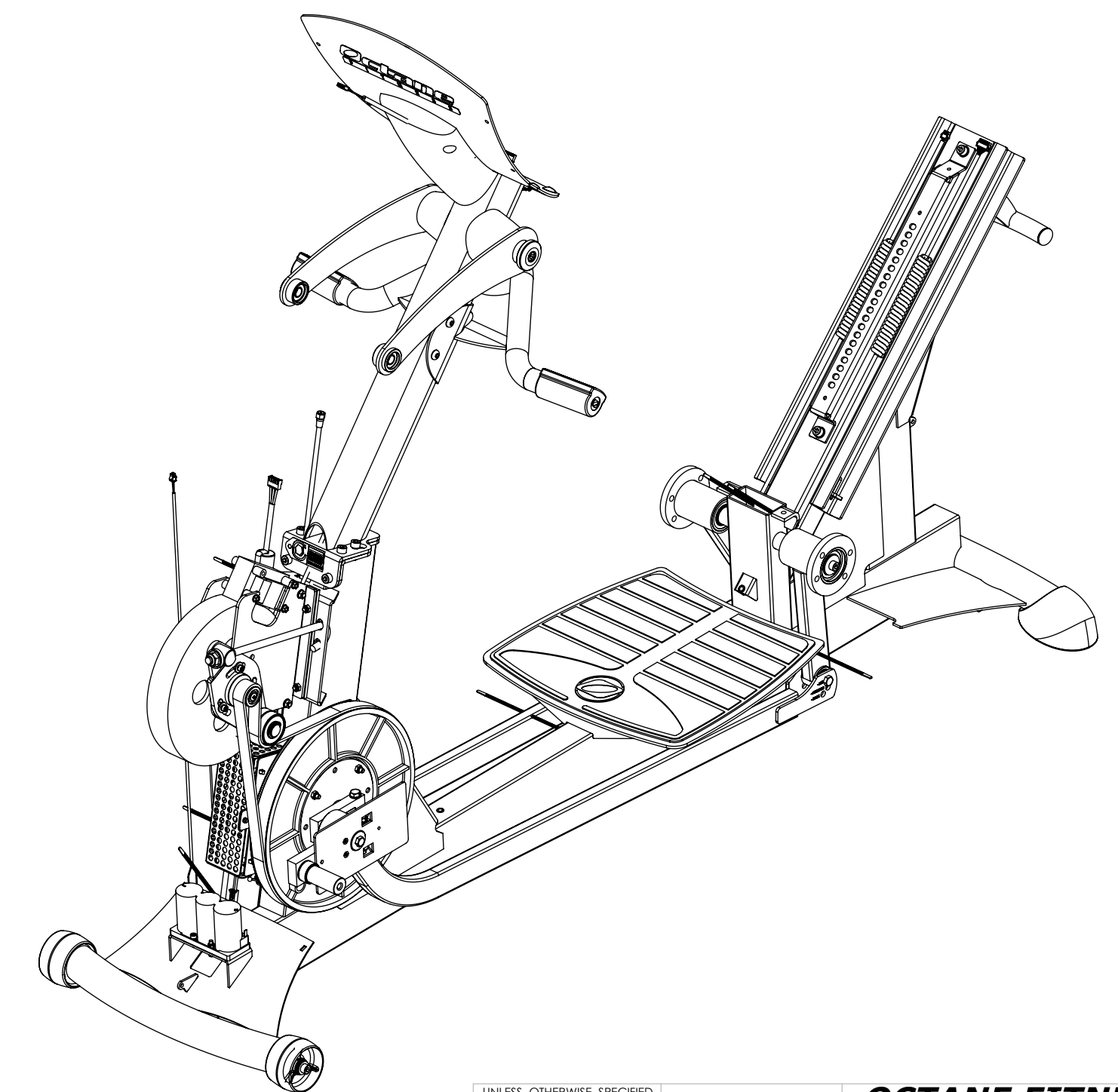
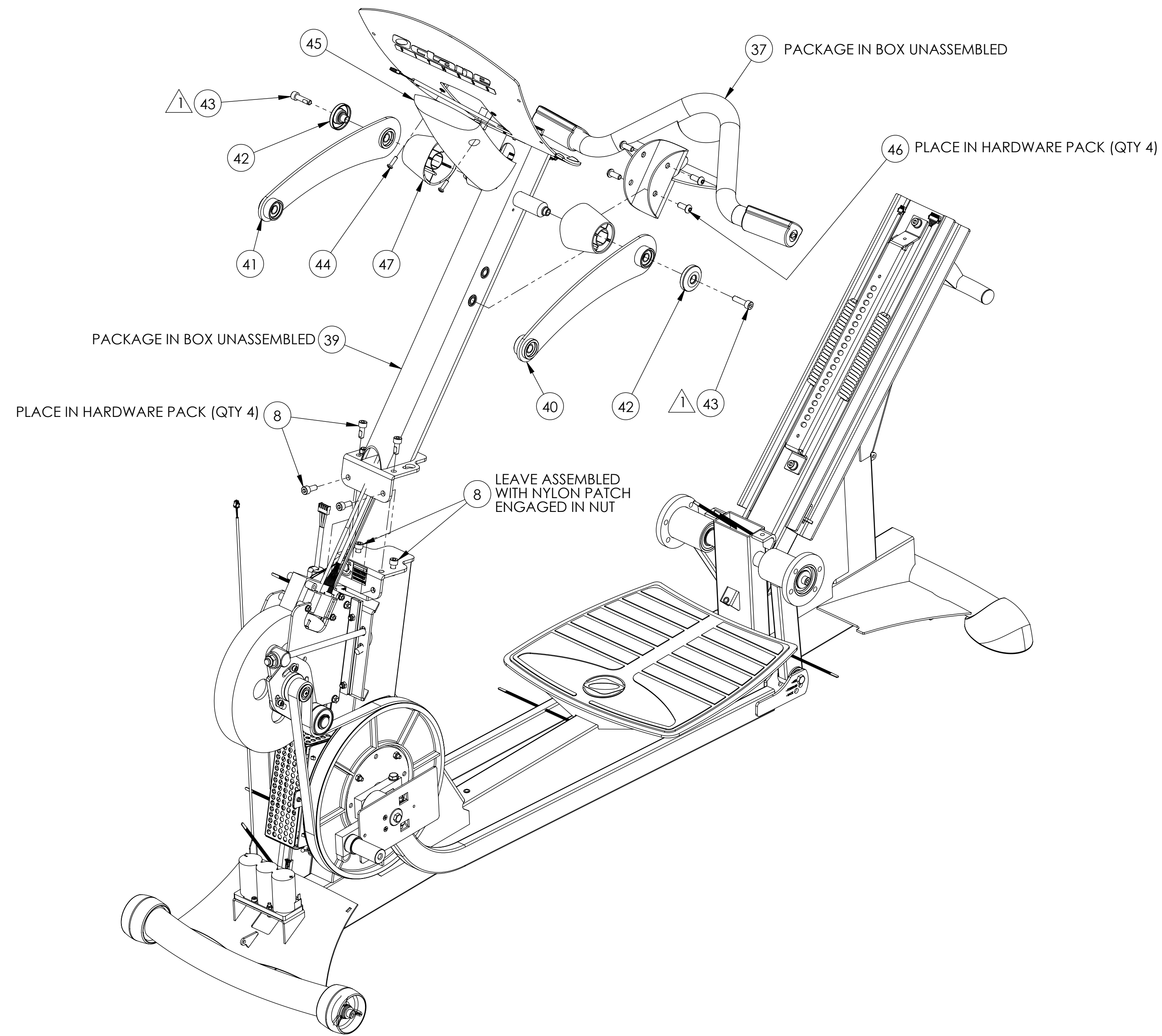


ITEM NO.	PART NUMBER	DESCRIPTION	SHEET 3/QTY.
18	107005-001	SCREW, M8 X 1.25 X 55 HHCS, 12.9 ST, BZ	4
49	100780-001	SCREW, M5 X 0.8 X 12, PAN HEAD, TYPE 1 CROSS RECESSED, STAINLESS STEEL	37
50	102431-001	PANEL, LEFT ARM LINK	1
51	102432-001	PANEL, RIGHT ARM LINK	1
52	102236-001	COVER, CRANK ARM	2
53	102258-001	COVER, MAST BOOT	1
55	103270-001	ASSEMBLY, SEAT SLIDE COVER	1
56	103317-001	ASSEMBLY, SHROUD ACCESS PANEL	1
57	103071-001	ASSEMBLY, SHROUD, MIDSECTION	1
58	102263-001	SHROUD, REAR, LEFT	1
59	103049-001	ASSEMBLY, LEFT ARM LINK COVER	1
60	103294-001	ASSEMBLY, RIGHT ARM LINK COVER	1
61	102814-001	ASSEMBLY, SHROUD FRONT TOP	1
62	102264-001	SHROUD, REAR, RIGHT	1
63	103315-001	ASSEMBLY, LEFT FRONT SHROUD - FLARE	1
64	103314-001	ASSEMBLY, RIGHT FRONT SHROUD - FLARE	1
102	103281-001	CABLE, CO-AXIAL, BASE	1

NOTES:

- TORQUE FASTENERS TO 2 - 3 N-M (17 - 26 IN-LB).
- ALL FASTENERS SHOWN IN EXPLODED STATE ARE PART NUMBER 100780-001.
- OCTANE FITNESS ENGINEERING APPROVAL ON FIRST SAMPLES AND VENDOR INSPECTION REPORT REQUIRED PRIOR TO PRODUCTION FROM NEW OR REVISED TOOLING.
- CAD GENERATED MODEL. ANY DIMENSIONS NOT ON THIS PRINT SHOULD BE EXTRACTED FROM THE CAD MODEL. CAD MODEL IS DRIVING DOCUMENT.
- SUPPLIER MUST SUPPLY A DECLARATION OF COMPLIANCE WITH EUROPEAN COUNCIL DIRECTIVE 2002/95/EC, ON THE RESTRICTION OF USE OF CERTAIN HAZARDOUS SUBSTANCES (RoHS).

UNLESS OTHERWISE SPECIFIED DIMENSIONS ARE IN MILLIMETERS	CAD GENERATED DRAWING, DO NOT MANUALLY UPDATE	OCTANE FITNESS Fuel Your Life
TOLERANCES ARE: FRACTIONS DECIMALS ANGLES + .X ±0.5 ±0.5° XXX ±0.1	APPROVALS DATE DRAWN 6/10/2008	DESCRIPTION XR6000 BASE INTL
MATERIAL: SEE NOTES	CHECKED: XX-XX-XX	REV. M
FINISH: SEE NOTES	RESP ENG: XX-XX-XX	103498-001
DO NOT SCALE DRAWING	MFG ENG: XX-XX-XX	SCALE 1:5
	QUAL ENG: XX-XX-XX	CAD FILE: SHEET 3 OF 6



ITEM NO.	PART NUMBER	DESCRIPTION	SHEET 4/QTY.
8	101295-001	SCREW, M8 X 1.25 X 20.0L SHCS, BLACK ZINC, 12.9 STL	6
18	107005-001	SCREW, M8 X 1.25 X 55 HHCS, 12.9 ST, BZ	4
37	103219-001	ASSEMBLY, FOOT REST	1
39	103284-001	ASSEMBLY, MAST	1
40	105712-001	ASSEMBLY, UPPER LINK, LEFT	1
41	105710-001	ASSEMBLY, UPPER LINK, RIGHT	1
42	105716-001	CAP, UPPER LINK	4
43	105717-001	SCREW, M8 X 1.25 X 30.0L SHCS, STAINLESS STEEL	4
44	102134-001	SCREW, M5 X 0.8 X 18, PAN HEAD, TYPE 1 CROSS RECESSED, SS	2
45	100414-001	COVER, CONSOLE BACK	1
46	101577-001	SCREW, M8 X 1.25 X 20, SBHCS, STAINLESS STEEL	4
47	102413-001	COVER, AXLE MAST	2

NOTES:

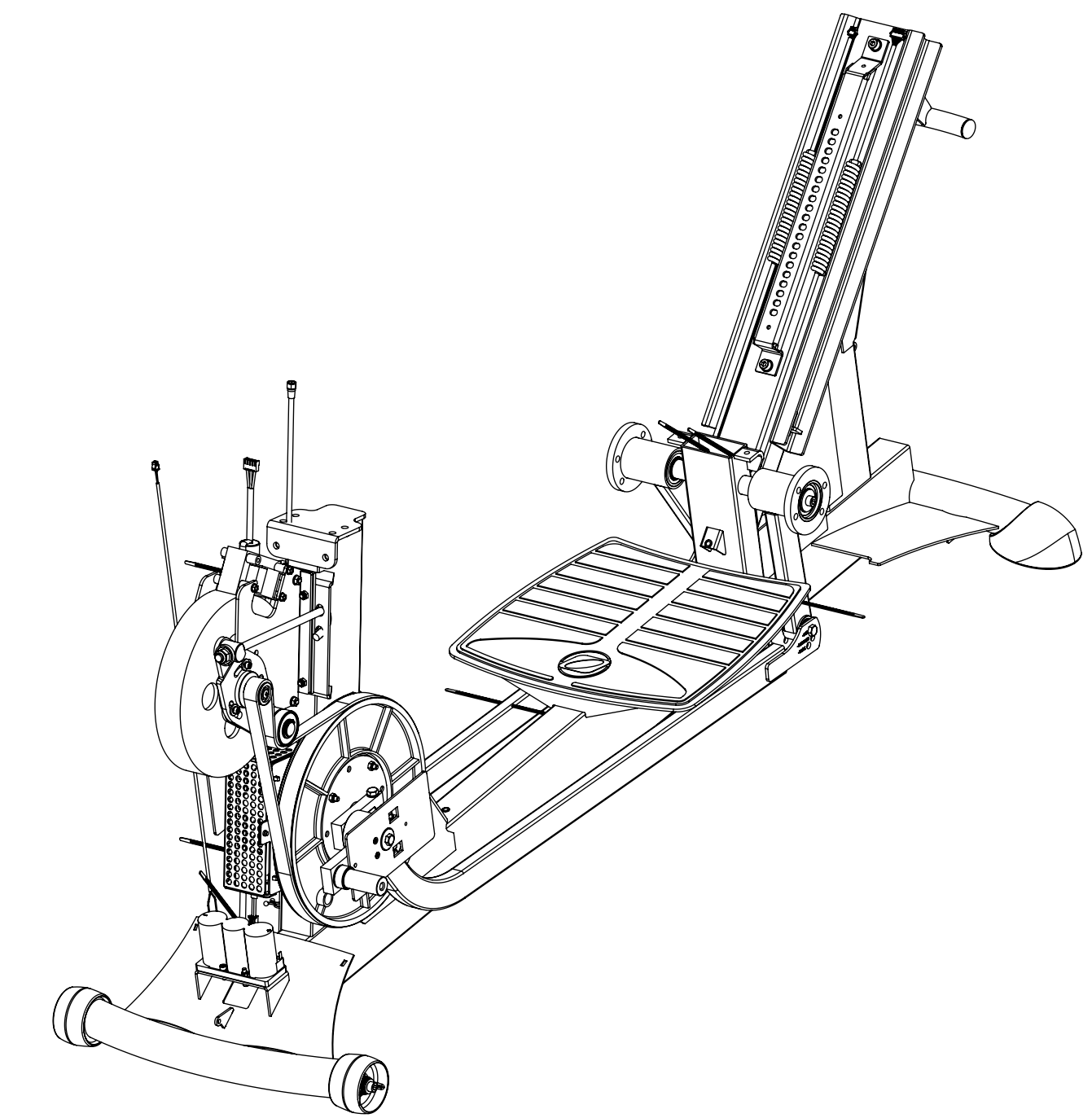
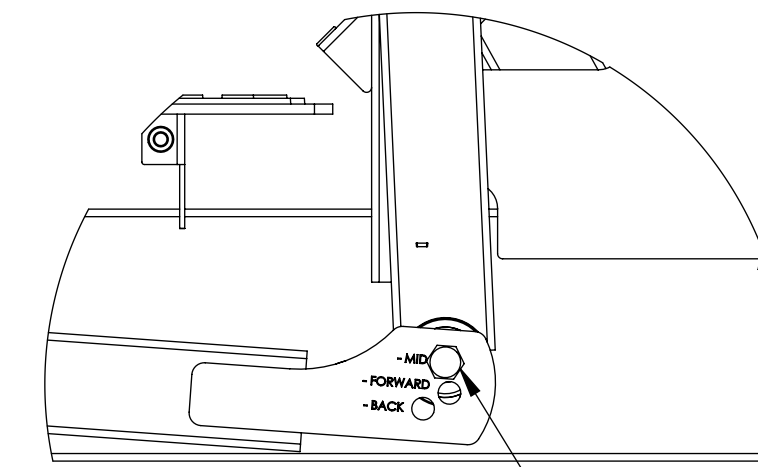
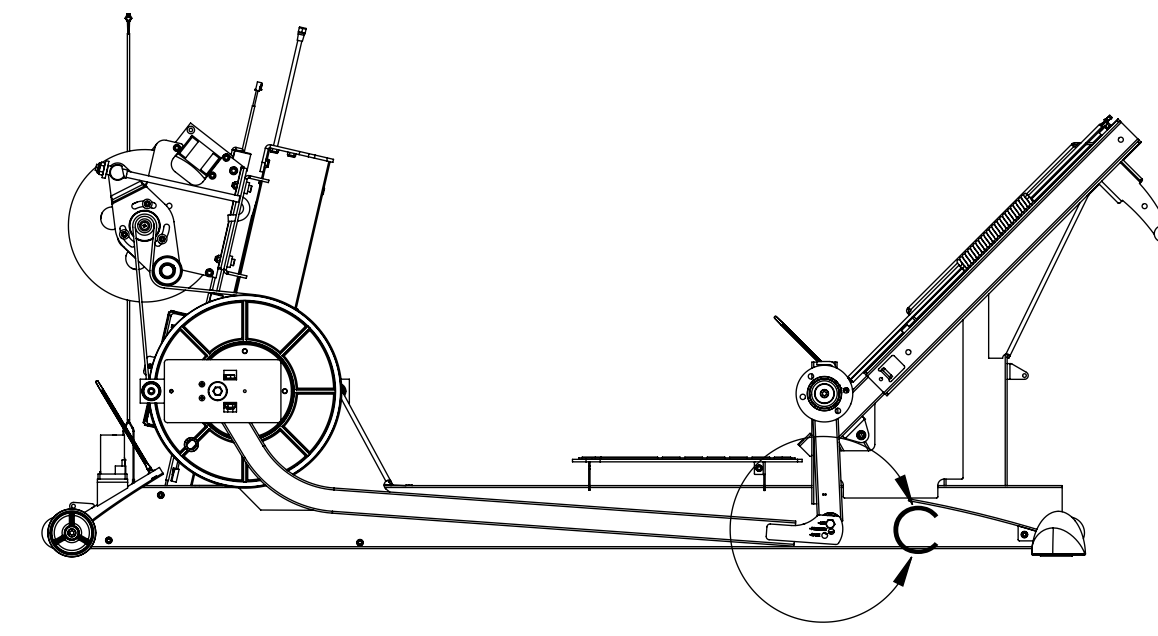
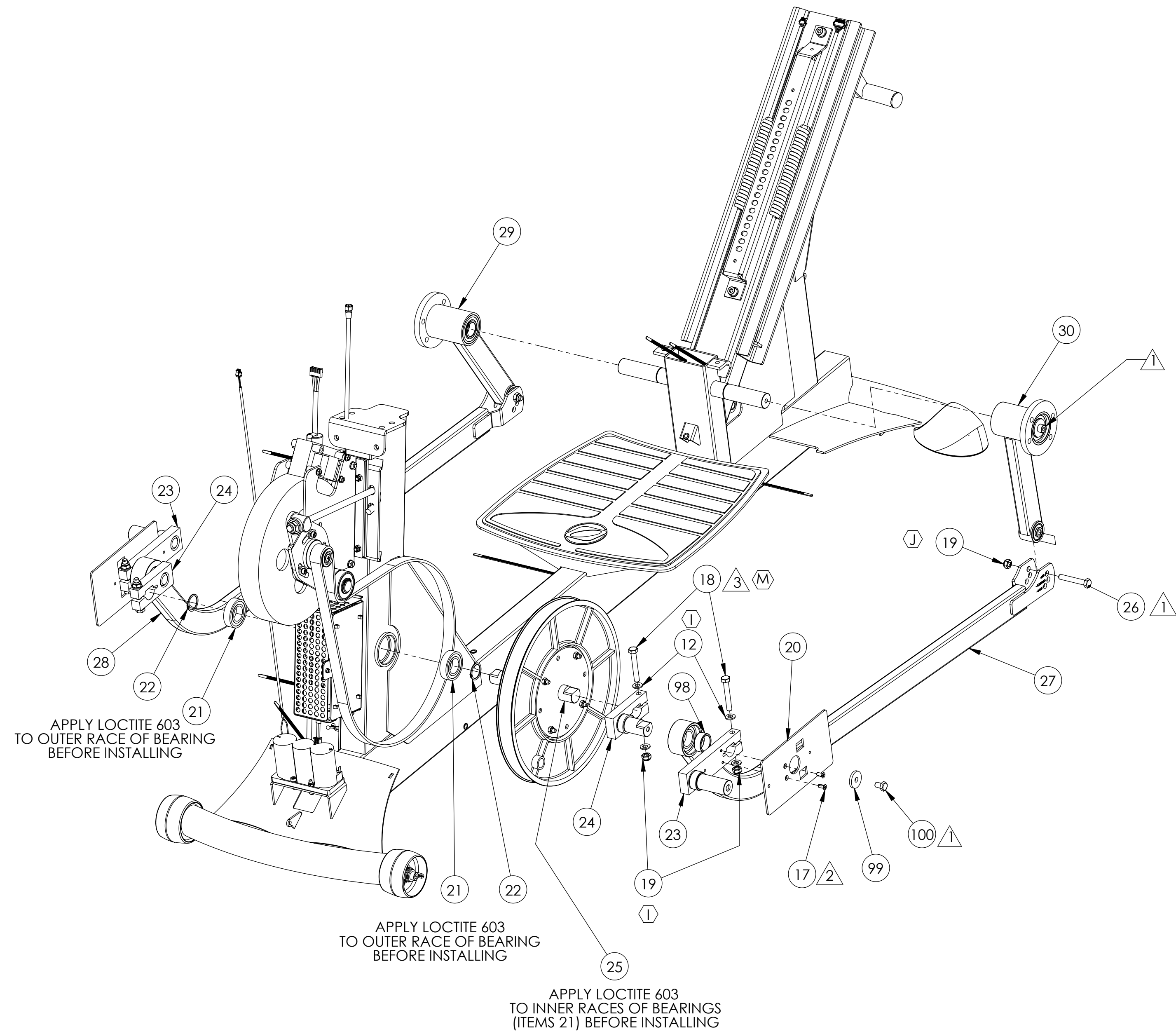
- TORQUE FASTENER TO 15 N-M (11 FT-LB).
- OCTANE FITNESS ENGINEERING APPROVAL ON FIRST SAMPLES AND VENDOR INSPECTION REPORT REQUIRED PRIOR TO PRODUCTION FROM NEW OR REVISED TOOLING.
- CAD GENERATED MODEL. ANY DIMENSIONS NOT ON THIS PRINT SHOULD BE EXTRACTED FROM THE CAD MODEL. CAD MODEL IS DRIVING DOCUMENT.
- SUPPLIER MUST SUPPLY A DECLARATION OF COMPLIANCE WITH EUROPEAN COUNCIL DIRECTIVE 2002/95/EC, ON THE RESTRICTION OF USE OF CERTAIN HAZARDOUS SUBSTANCES (RoHS).

UNLESS OTHERWISE SPECIFIED DIMENSIONS ARE IN MILLIMETERS		CAD GENERATED DRAWING, DO NOT MANUALLY UPDATE		OCTANE FITNESS Fuel Your Life	
FRACIONS: DECIMALS	ANGLES	APPROVALS	DATE	DESCRIPTION	
+ X ±0.5 XXX ±0.1	±0.5°	---	6/10/2008	XR6000 BASE INTL	
MATERIAL	SEE NOTES	CHECKED	---	---	---
FINISH	SEE NOTES	RESP ENG	---	---	---
DO NOT SCALE DRAWING	---	MFG ENG	---	XX-XX-XX	---
	---	QUAL ENG	---	XX-XX-XX	---
	---		---	---	---

DESCRIPTION	DWG. NO.	REV.
XR6000 BASE INTL	103498-001	M
		1

THE INFORMATION CONTAINED IN THIS DRAWING IS THE SOLE PROPERTY OF OCTANE FITNESS. ANY REPRODUCTION IN PART OR WHOLE WITHOUT THE WRITTEN PERMISSION OF OCTANE FITNESS IS PROHIBITED.

REV	DESCRIPTION	ECO #	DATE	ENG
-	See Sheet1	-	-	-



ITEM NO.	PART NUMBER	DESCRIPTION	SHEET 5/QTY.
12	101029-001	WASHER, M8, 8.3 X 16.0 X 1.6, ST, BZ	10
17	102331-001	SCREW, M5 X 0.8 X 12, FLAT HEAD, TYPE 1 CROSS RECESSED, BZ	4
18	107005-001	SCREW, M8 X 1.25 X 55 HHCS, 12.9 ST, BZ	4
19	103393-001	NUT, HEX, NYLON INSERT, M8 X 1.25, CZ CLASS 10	6
20	102203-001	PLATE, CRANK COVER	2
21	101646-001	BEARING, 6005 BALL, CHINESE	2
22	900009-001	RING, RETAINING, 25MM	2
23	102742-001	WLDMT, LARGE CRANK ARM	2
24	104762-001	WLDMT, SMALL CRANK ARM	2
25	103371-001	ASSEMBLY, DRIVE PULLEY, RoHS	1
26	103256-001	SCREW, M8 X 1.25 X 52 HHCS, 8.8 ST, CZ	2
27	102753-001	ASSEMBLY, ARM LINK, LH T	1
28	102752-001	ASSEMBLY, ARM LINK, RH T	1
29	102758-001	ASSEMBLY, ROCKER RIGHT	1
30	102757-001	ASSEMBLY, ROCKER LEFT	1
98	104738-001	SPACER, CRANK	2
99	104757-001	WASHER, THICK 28x8x4mm	2
100	102351-001	SCREW, M8 X 1.25 X 12 HCS, 8.8 STL, CZ	2

NOTES:

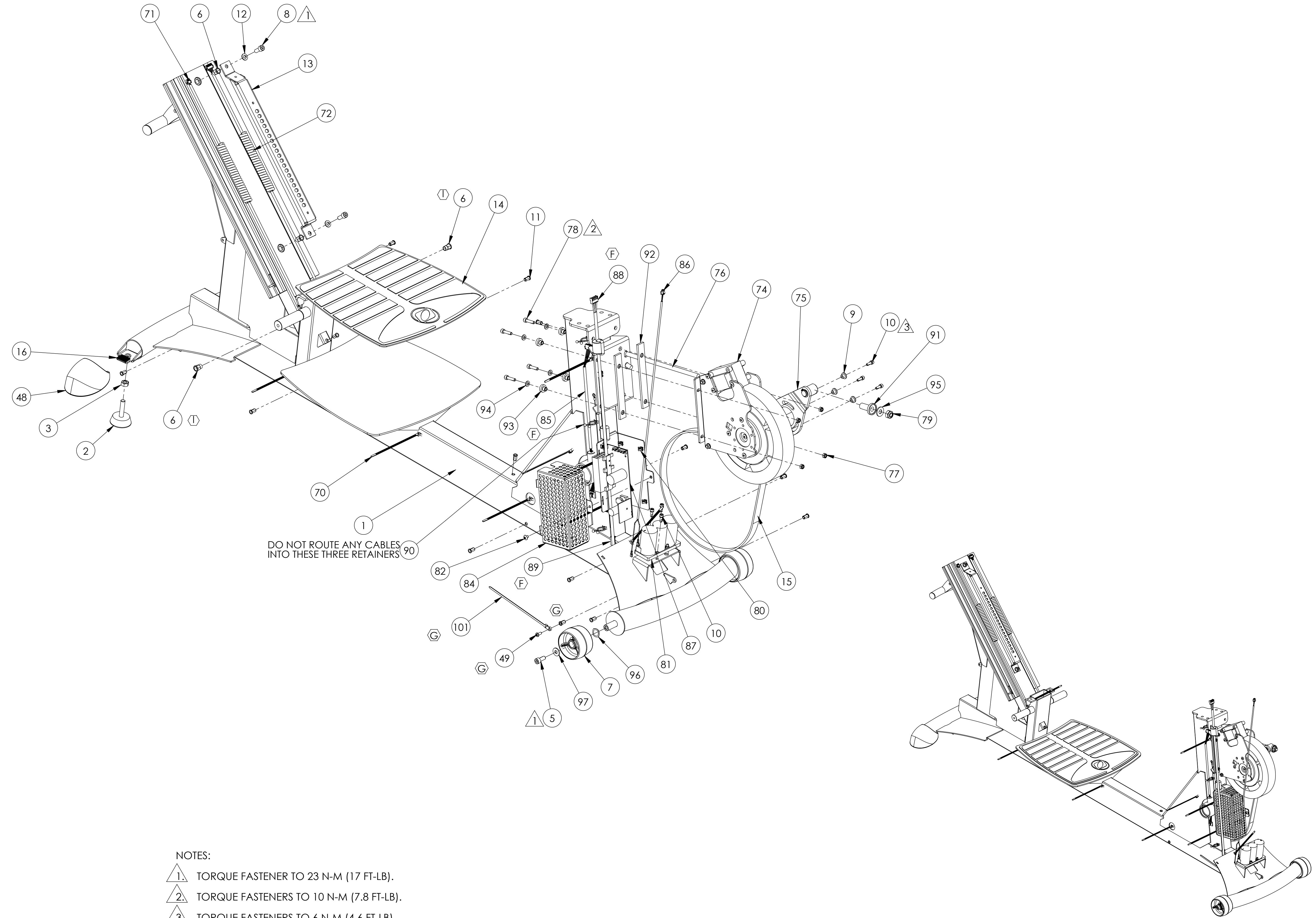
1. TORQUE FASTENER TO 23 N-M (17 FT-LB).
2. TORQUE FASTENER TO 3 - 4 N-M (26 - 35 IN-LB).
3. TORQUE FASTENER TO 40 N-M (29 FT-LB).
4. RIGHT SIDE ROCKER AND LINK IS ASSEMBLED IN THE SAME MANNER AS THE LEFT.
5. OCTANE FITNESS ENGINEERING APPROVAL ON FIRST SAMPLES AND VENDOR INSPECTION REPORT REQUIRED PRIOR TO PRODUCTION FROM NEW OR REVISED TOOLING.
6. CAD GENERATED MODEL. ANY DIMENSIONS NOT ON THIS PRINT SHOULD BE EXTRACTED FROM THE CAD MODEL. CAD MODEL IS DRIVING DOCUMENT.
7. SUPPLIER MUST SUPPLY A DECLARATION OF COMPLIANCE WITH EUROPEAN COUNCIL DIRECTIVE 2002/95/EC, ON THE RESTRICTION OF USE OF CERTAIN HAZARDOUS SUBSTANCES (RoHS).

UNLESS OTHERWISE SPECIFIED DIMENSIONS ARE IN MILLIMETERS	CAD GENERATED DRAWING, DO NOT MANUALLY UPDATE	OCTANE FITNESS Fuel Your Life	
TOLERANCES ARE: FRACTIONS DECIMALS ANGLES + .X ±0.5 ±0.5° XXX ±0.1	APPROVALS DATE DRAWN 6/10/2008	DESCRIPTION XR6000 BASE INTL	REV. NO. 103498-001
MATERIAL SEE NOTES	CHECKED XX-XX-XX	DATE	REV. M
FINISH SEE NOTES	RESP ENG XX-XX-XX	SCALE 1:5	SHEET 5 OF 6
DO NOT SCALE DRAWING	QUAL ENG XX-XX-XX	CAD FILE	

THE INFORMATION CONTAINED IN THIS DRAWING IS THE SOLE PROPERTY OF OCTANE FITNESS. ANY REPRODUCTION IN PART OR WHOLE WITHOUT THE WRITTEN PERMISSION OF OCTANE FITNESS IS PROHIBITED.

REV	DESCRIPTION	ECO #	DATE	ENG
-	See Sheet1	-	-	-

ITEM NO.	PART NUMBER	DESCRIPTION	SHEET 6/QTY.
1	106363-001	WLDMT, FRAME, xR6000	1
2	900015-001	LEVELER, 50MM DIAMETER	2
3	950038-009	B18.2.4.1M, HEX NUT, STYLE 1, M10 X 1.5, BLACK ZINC, STL	2
5	103210-001	SCREW, M8 X 1.25 X 20.0L SHCS, STAINLESS STEEL	2
6	101576-001	RIVNUT, BRASS, M8 X 1.25	4
7	102219-001	ROLLER, TRANSPORT	2
8	101295-001	SCREW, M8 X 1.25 X 20.0L SHCS, BLACK ZINC, 12.9 STL	2
9	100457-001	SPACER, FLANGE TENSIONER	3
10	101297-001	SCREW, M5 X 0.8 X 16.0L SHCS, BLACK ZINC, 12.9 STL, SPRING WASHER	6
11	900031-002	RIVNUT, BRASS, M5 X 0.8	14
12	101029-001	WASHER, M8, 8.3 X 16.0 X 1.6, ST, BZ	10
13	102155-001	RACK, SEAT SLIDE	1
14	102262-001	TREAD, PLATFORM	1
15	103433-001	BELT, DRIVE, 8 RIB, 490J	1
16	101300-001	DUAL LOCK, 25 X 20 - 400	2
18	107005-001	SCREW, M8 X 1.25 X 55 HHCS, 12.9 ST, BZ	4
48	102979-001	ASSEMBLY, END CAP	2
49	100780-001	SCREW, M5 X 0.8 X 12, PAN HEAD, TYPE 1 CROSS RECESSED, STAINLESS STEEL	39
70	103432-001	TIE, CABLE, PUSH MOUNT, W4.8 X L170	11
71	103306-001	CABLE HR BASE BOX	1
72	103296-001	CABLE, HANDLEBAR BUTTONS	1
74	100830-001	BRAKE, GENERATOR, 6302	1
75	103531-001	ASSEMBLY, TENSIONER, INSULATED	1
76	102794-001	BOLT, 10MM J-HOOK	1
77	950046-007	NUT, HEX, NYLON INSERT, STL, M6	4
78	103596-001	SCREW, M6 X 1.0 X 25, SHCS, BZ	4
79	950046-009	NUT, HEX, NYLON INSERT, STL, M10	1
80	102533-001	STAND-OFF, BOARD, 4.8MM	4
81	101823-001	ASSEMBLY, BATTERY WITH PIN	1
84	103193-001	COVER, BRAKE PCB	1
85	105182-001	CABLE ASSY, BASE, xR6000, FERRITE	1
86	103282-001	CABLE ASSEMBLY, BATTERY TO MAST	1
87	103331-001	CIRCUIT BOARD ASSEMBLY, BRAKE CONTROL BOARD, SAFETY CERT, RoHS	1
88	105140-001	CABLE ASSY, BRAKE GEN PWR, FERRITE	1
89	105141-001	CABLE ASSY, BRAKE GEN INDUCT, FERRITE	1
90	102892-001	STAND-OFF, CABLE, 14 DIA	3
91	103533-001	INSULATOR, J-HOOK BOLT	1
92	103428-001	INSULATOR, BRAKE BASE	2
93	103534-001	INSULATOR, BRAKE BOLT	4
94	950042-007	B18.22M, WASHER, PLAIN, STL, M6	4
95	100717-001	10 X 23 X 2, STEEL, CZ	1
96	101920-001	WASHER, WAVE, 16.7 X 22.5 X .3	2
97	104302-001	WASHER, M8, 8.3 X 20 X 2, STAINLESS STEEL	2
101	101416-001	CABLE TIE, SCREW MOUNT, M5	1



- NOTES:
- 1. TORQUE FASTENER TO 23 N-M (17 FT-LB).
 - 2. TORQUE FASTENERS TO 10 N-M (7.8 FT-LB).
 - 3. TORQUE FASTENERS TO 6 N-M (4.6 FT-LB).
 - 4. OCTANE FITNESS ENGINEERING APPROVAL ON FIRST SAMPLES AND VENDOR INSPECTION REPORT REQUIRED PRIOR TO PRODUCTION FROM NEW OR REVISED TOOLING.
 - 5. CAD GENERATED MODEL. ANY DIMENSIONS NOT ON THIS PRINT SHOULD BE EXTRACTED FROM THE CAD MODEL. CAD MODEL IS DRIVING DOCUMENT.
 - 6. SUPPLIER MUST SUPPLY A DECLARATION OF COMPLIANCE WITH EUROPEAN COUNCIL DIRECTIVE 2002/95/EC, ON THE RESTRICTION OF USE OF CERTAIN HAZARDOUS SUBSTANCES (RoHS).

UNLESS OTHERWISE SPECIFIED DIMENSIONS ARE IN MILLIMETERS	CAD GENERATED DRAWING, DO NOT MANUALLY UPDATE	OCTANE FITNESS Fuel Your Life	
TOLERANCES ARE: FRACTIONS: DECIMALS: ANGLES: + .X ±0.5 XXX ±0.1 XXX ±0.1	APPROVALS: DATE: 6/10/2008	DESCRIPTION: XR6000 BASE INTL	
MATERIAL: SEE NOTES	CHECKED: 6/10/2008	REV: M	
FINISH: SEE NOTES	RESP ENG: XX-XX-XX	DWG. NO.: 103498-001	
DO NOT SCALE DRAWING	QUAL ENG: XX-XX-XX	SCALE: 1:5	CAD FILE: SHEET 6 OF 6