

**150-01-00031-01**

**900-06-00002-01**

**100-01-00005-01**

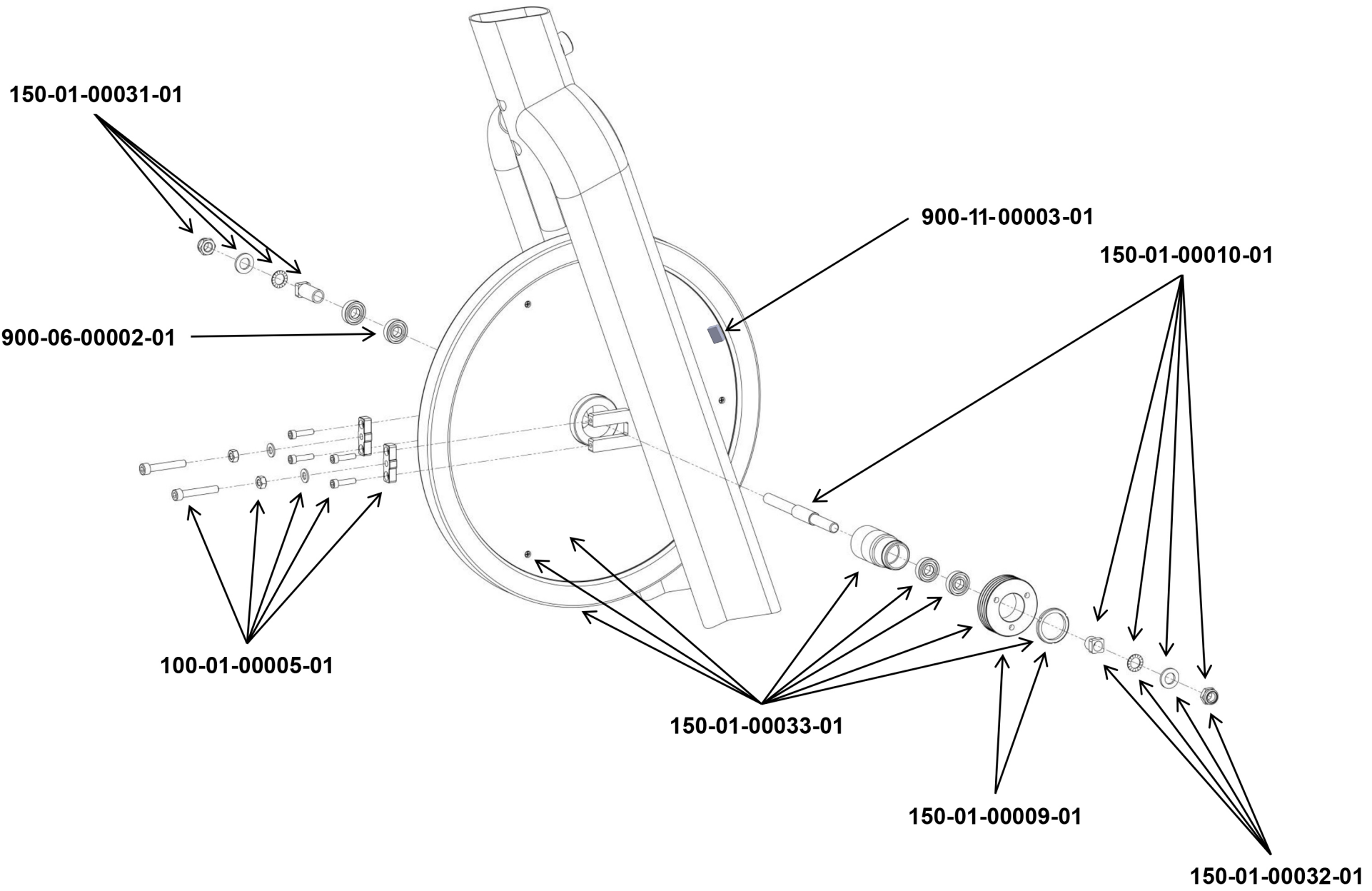
**900-11-00003-01**

**150-01-00010-01**

**150-01-00033-01**

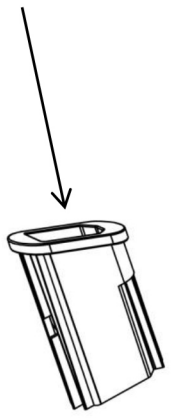
**150-01-00009-01**

**150-01-00032-01**





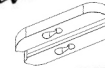
100-03-00021-01



100-03-00016-02



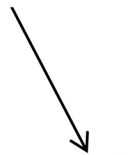
100-03-00020-01



180-01-00001-02



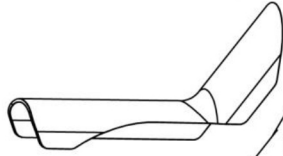
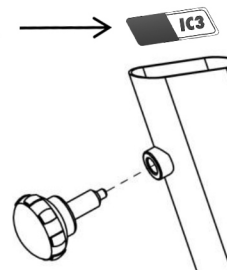
100-03-00017-01



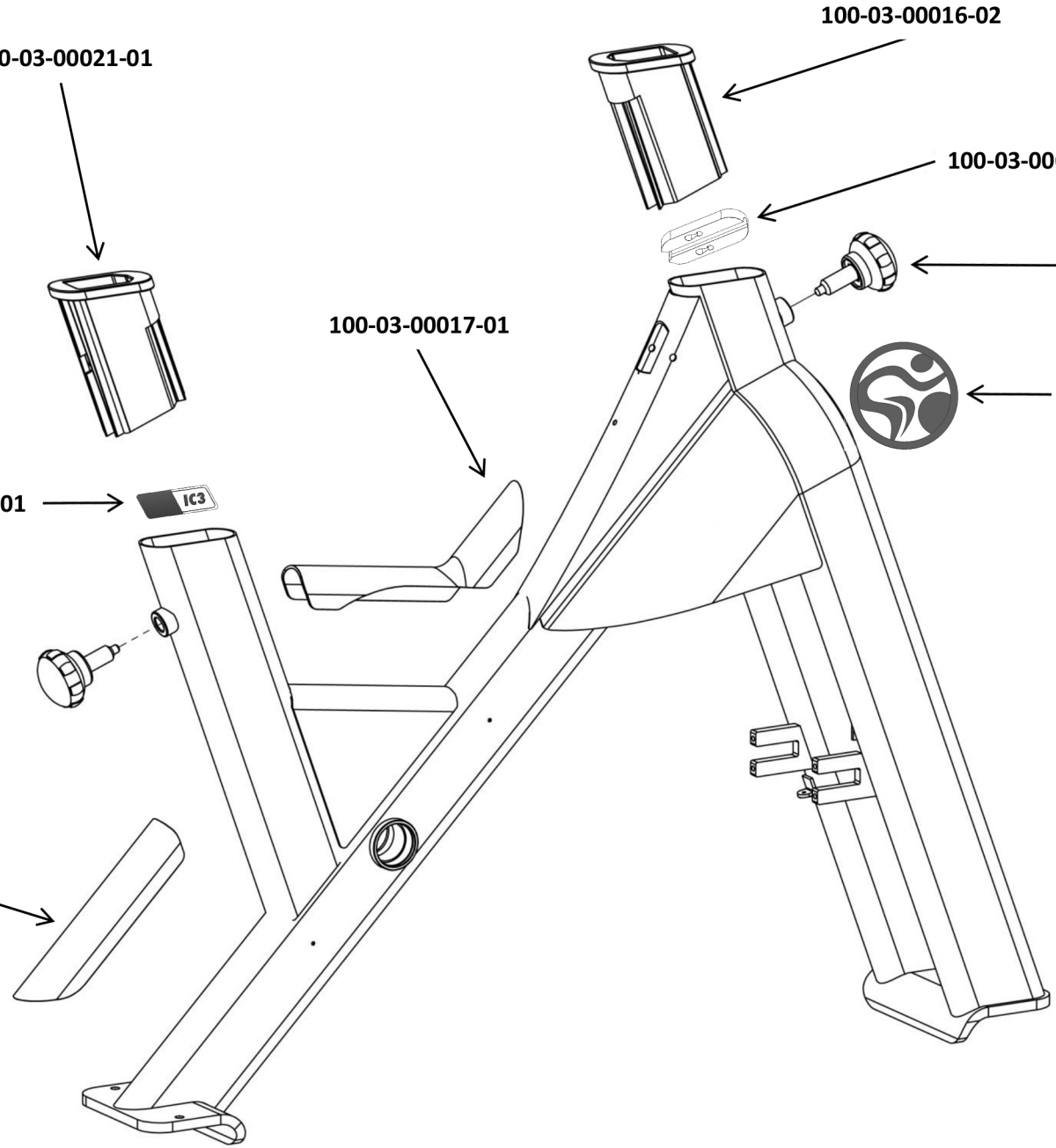
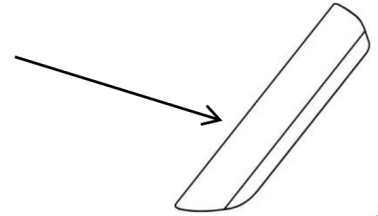
100-09-00003-02

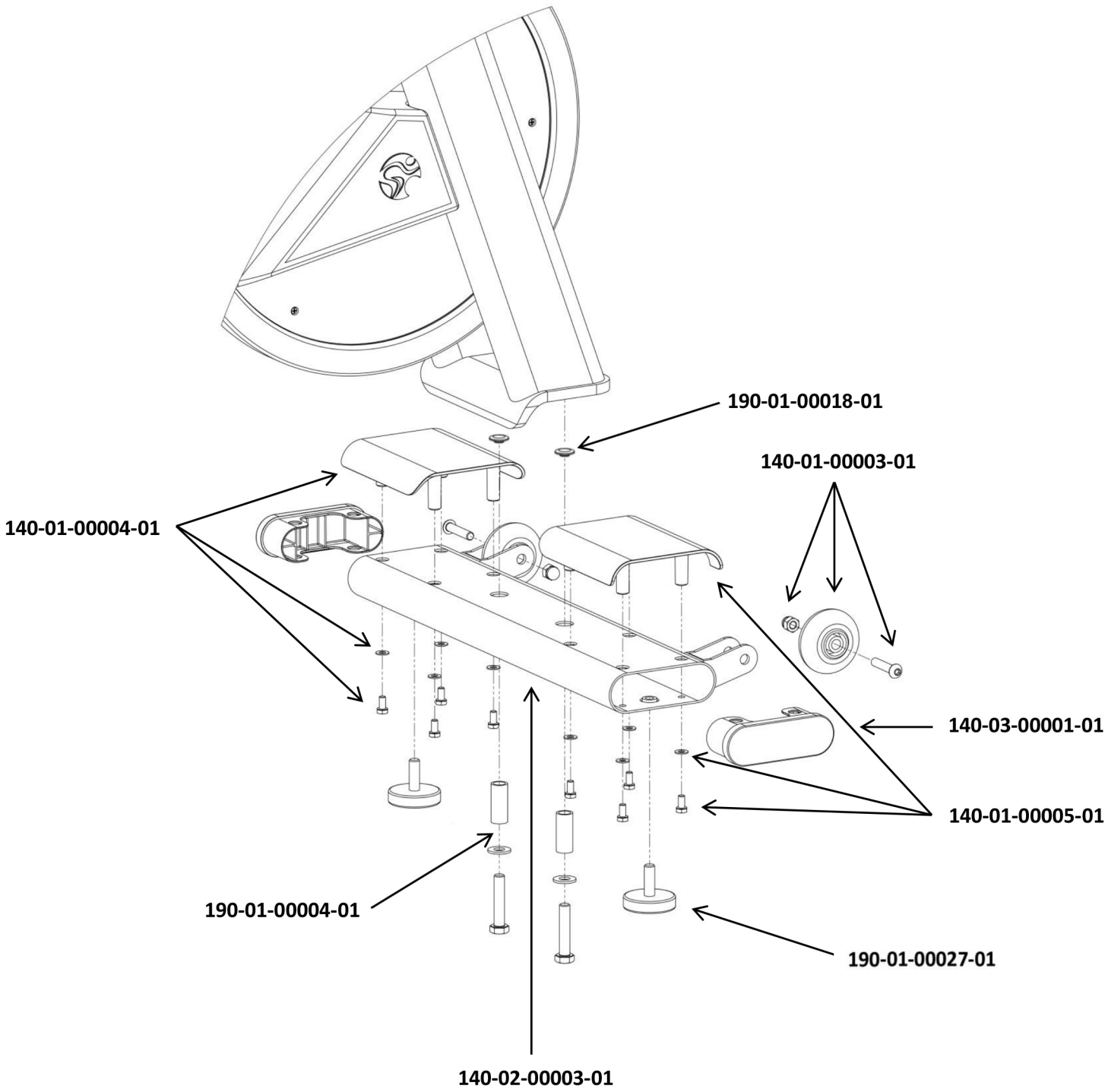


100-09-00008-01



100-03-00018-01

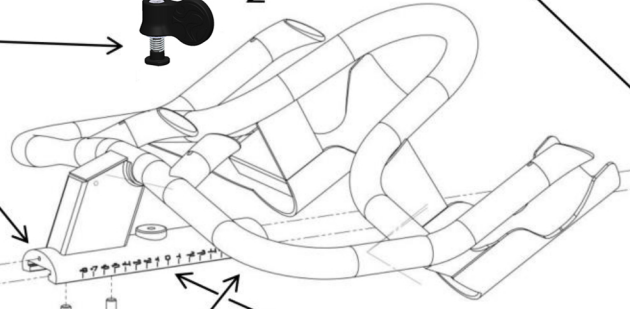
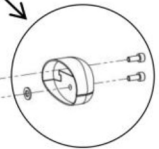




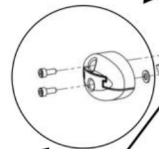
110-01-00001-01



110-01-00006-01



180-01-00033-01

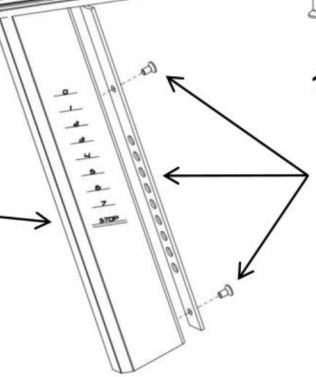


110-01-00005-01

180-01-00003-01

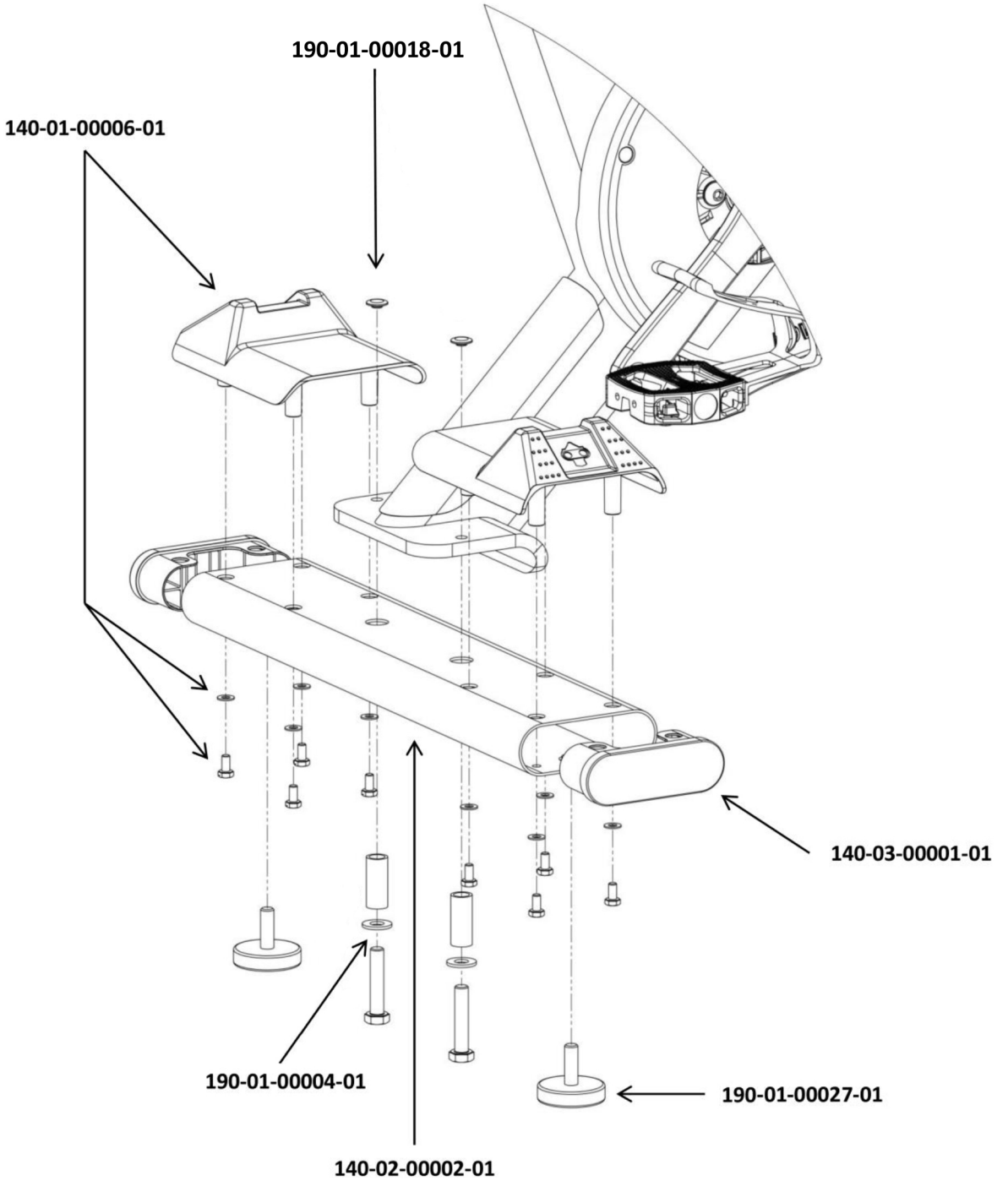
190-01-00003-01

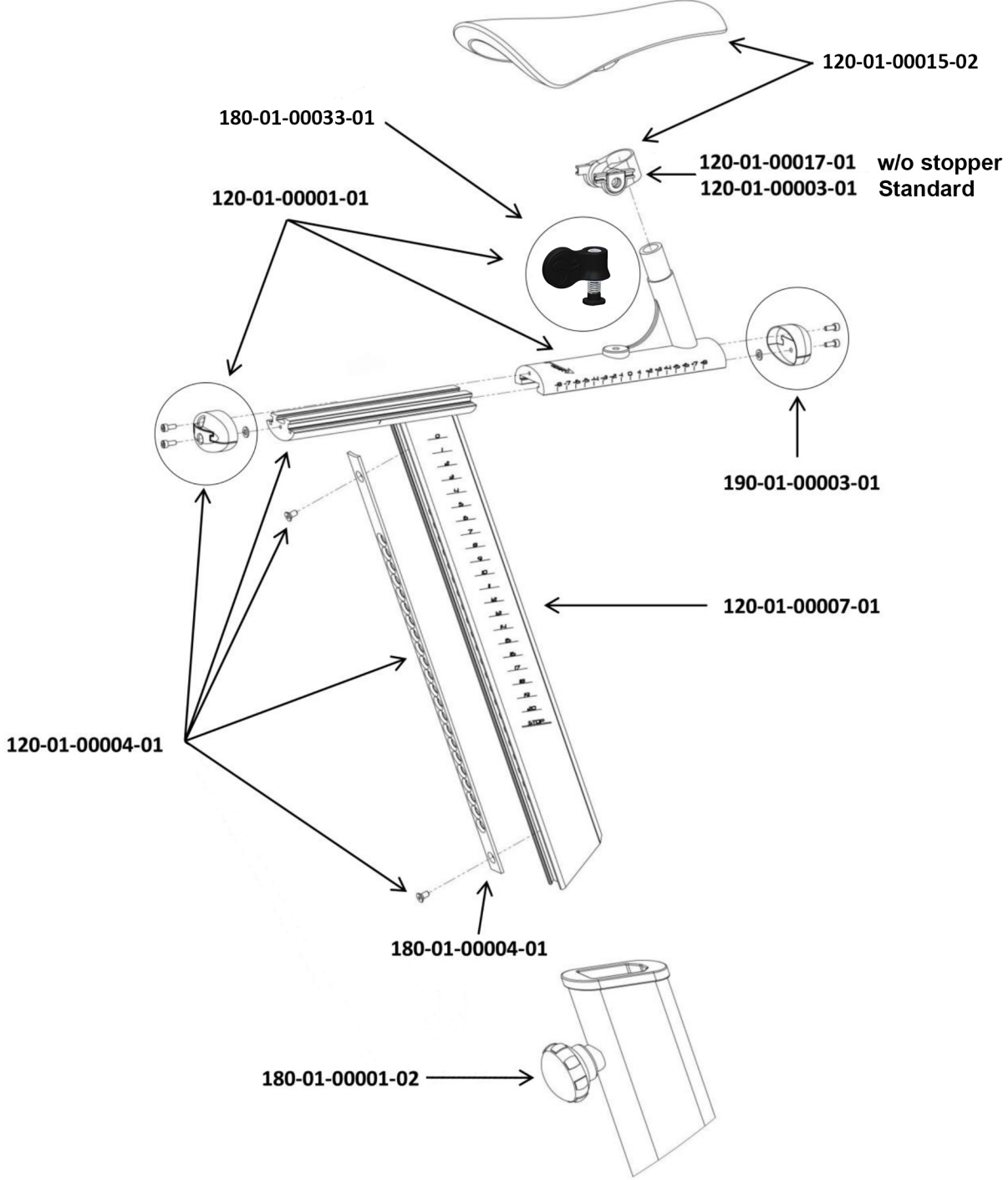
110-01-00002-01



180-01-00001-02









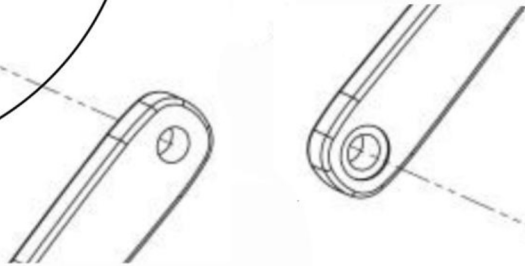
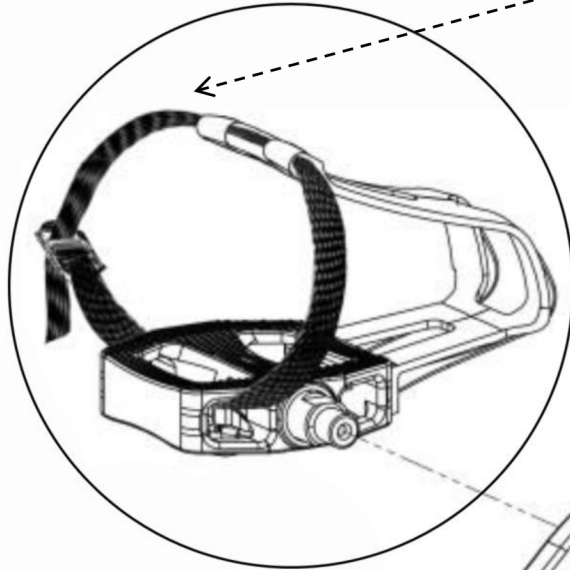
IC3 Life Fitness branding example.



## IC1, IC2 & IC3 Branding Badges

	IC1	IC2/ IC500	IC3/ IC600	Description	Cybox	Life Fitness	Tomahawk	Matrix
A	X	X		Chain Guard with decals	160-01-00053-01	160-01-00015-01		
			X	Chain Guard with decals (neutral)	160-01-00003-01			
B	X	X	X	Badge Rectangular	100-09-00014-01	100-09-00017-01	100-09-00011-02	100-09-00012-02
C	X	X	X	Decal Tribal (Front)	100-09-00003-02			
D	X	X	X	Flywheel Cover Set	150-09-00009-01	150-09-00003-01		
E	X	X	X	Saddle	120-01-00045-01	120-01-00015-02		
F	X	X		Crank Left	150-03-00160-01	150-03-00070-01		
	X	X		Crank Right	150-03-00161-01	150-03-00071-01		
			X	Crank Left	150-03-00162-01	150-03-00090-01		
			X	Crank Right	150-03-00163-01	150-03-00091-01		
G	X			Aluminum Badge Seat post IC1	100-09-00043-01	100-09-00040-01		
		X		Aluminum Badge Seat post IC2	100-09-00044-01	100-09-00041-01		
			X	Aluminum Badge Seat post IC3	100-09-00045-01	100-09-00042-01		
H		X		Pop Pin	180-01-00061-01	180-01-00027-01		
			X	Pop Pin	180-01-00059-01	180-01-00001-02		
I			X	Thumb Lock Handle	180-01-00064-01	180-01-00033-01		

150-03-00048-01



150-01-00005-03

